

MEDMASTER® SAFESLOT™

Multi-Function Luminaires for Behavioral Health Applications

BHAERS4 SERIES

PRODUCT FEATURES:

- » 4" x 48" recessed linear slot luminaire for paired, over-bed lighting
- » Provides ambient, exam and reading modes within a seamless design
- » High-output, high-CRI LED lamp sources
- » One-piece doorframe with continuous lens retention and tamper-resistant fasteners
- » Fixture must be specified and ordered in pairs
- » Standard IP65 and NSF2 ratings for cleanability and ingress-protection



PROJECT INFORMATION

Job Name _____

Fixture Type _____

Catalog Number _____

Approved by _____

SPECIFICATIONS

HOUSING: Extruded 6063-T5 aluminum construction with aluminum endcaps. Low-gloss anti-microbial white TGIC polyester powder coat finish with five-stage pre-treatment applied to exterior, room-side components.

DOORFRAME: One-piece extruded 6063-T5 aluminum outer frame with low-gloss anti-microbial white TGIC polyester powder-coat finish with five-stage pre-treatment. Inner aluminum extrusion continuously bonds lens to door. Closed-cell gasketing. Tamper-resistant T20 TORX fasteners secure doorframe to housing.

OPTIC: Symmetric (Lambertian) or 7.5° asymmetric distribution option. Diffused polycarbonate outer lens with 0.188" overall thickness. Must specify left- and right-throw for offset paired mounting over bed.

LED MODULE: Serviceable mid-power LED array. See Ordering Information for available color temperature options. Minimum 82 CRI standard (R9>20) with 90 CRI optional.

DRIVER: 120-277VAC, 50/60Hz electrical input with serviceable constant-current drivers (<20% THD, >0.90 PF). See 'CONTROL' for dimming information. Minimum 85% driver efficiency.

CONTROL: Integrated low-voltage controller with dimming (MLVCD) for pillow-switch/wall-control of ambient, exam and reading modes. Master-Satellite arrangement for paired installations. "Ambient" mode operates the primary light engine at 50% output. A sustained button press on the wall/bed controller sweeps light intensity (dimming) from 50% down to 0% (bi-directionally). "Exam" mode operates the primary light engine at 100% output. Dimming is not possible in "Exam" mode. "Reading" mode operates an integral secondary light engine positioned nearest the headwall. A sequential button press on the wall/bed controller changes intensity in the order of 0%/33%/66%/100%/0%.

INSTALLATION: Suitable for Type-IC recessed ceiling installation into 9/16" and 15/16" lay-in and tegular grid ceilings, flanged drywall ceilings and trimless mud-in installations with 5/8" drywall. See Ordering Information for Ceiling Type selection. Suitable for 0°C - 40°C ambient temperature environments.

PHOTOMETRICS: Photometry tested to the IESNA LM-79-08 standard by an ILAC/ISO17025 accredited laboratory. For detailed photometric information, please visit www.kenall.com.

WARRANTY: Limited five (5) year warranty.

LISTINGS: Luminaire is certified to UL standards by Intertek Testing Laboratories for Type-IC and Wet Location installations. IP65 rating per IEC60598. NSF2 Splash/Non-Food Zone rated. Standard CCEA compliance.



ORDERING INFORMATION

(LEFT Ex: BHAERS4-48-TG-LASYM-20L/50L/8L-35K8-DIM1-DV-MLVCD/M-F-8697)

(RIGHT Ex: BHAERS4-48-TG-RASYM-20L/50L/8L-35K8-DIM1-DV-MLVCD/S-F-8697-LEL)

Model	Length	Ceiling Configuration	Optical Distribution	Lamp Power	Lamp Color	Driver Type	Voltage	Controls/ Paired Installation	LVC Wiring	Options	Accessories
Left BHAERS4	48		LASYM			DIM1	DV	MLVCD/M			
Right BHAERS4	48		RASYM			DIM1	DV	MLVCD/S			

Nominal Length
48 4'

Ceiling Configuration

G 9/16" and 15/16" Lay-In Grid
TG 9/16" and 15/16" Tegular Grid
FL Flange
TM Trimless Mud-In for 5/8" Drywall

Optical Distribution

RASYM Asymmetric, Right Throw
LASYM Asymmetric, Left Throw

Lamp Power

20L/50L 20W Ambient/50W Exam
20L/50L/8L 20W Ambient/50W Exam/8W Reading

Lamp Color

30K8 3000K / 80 CRI min.
30K9 3000K / 90 CRI min.
35K8 3500K / 80 CRI min.
35K9 3500K / 90 CRI min.
40K8 4000K / 80 CRI min.
40K9 4000K / 90 CRI min.

Driver Type

DIM1 0-10V Dimming to 1% (see Control description for detail)

Input Voltage

DV 120-277VAC, 50/60Hz

Controls/ Paired Installation[^]

MLVCD/M Low Voltage Controller with Dimming/ Paired Master-Control Luminaire
MLVCD/S Low Voltage Controller with Dimming/ Paired Satellite-Control Luminaire

LVC Wiring

F-8698 For 20L/50L
F-8697 For 20L/50L/8L

Options

LEL* Integral Emergency Battery Backup with Remote Test Button
FS Fuse & Holder

Accessories

T20 T20 Tamper-Resistant Torx Bit (D-0552)

[^] Paired installations shall be ordered with equal quantities of Type 'M' and 'S' units. AC power feed required to both. Lamp control originates from the LVC located in Master.
 * LEL only available in Satellite (Right) unit.

ACCESSORIES ORDERED SEPARATELY

MPWS Low Voltage Wall Switch ([Click here for Specifications](#))



www.kenall.com | P: 800-4-Kenall | F: 262-891-9701 | 10200 55th Street Kenosha, Wisconsin 53144, USA

A brand of **legrand**

This product complies with the Buy American Act: manufactured in the United States with more than 50% of the component cost of US origin. It may be covered by patents found at www.kenall.com/patents. Content of specification sheets is subject to change; please consult www.kenall.com for current product details. ©2022 Kenall Mfg. Co.

Multi-Function Luminaires for Behavioral Health Applications

BHAERS4 SERIES

PERFORMANCE

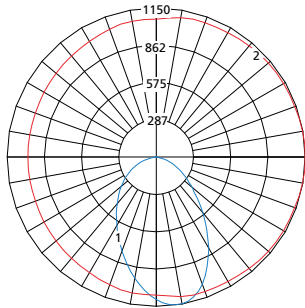
Function	Lamp Power	Initial Delivered Lumens, by Lamp Color (lm)						Efficacy (lm/W)	Input Power (W)	Estd. L70 LED Life (Hrs)
		30K8	30K9	35K8	35K9	40K8	40K9			
Ambient	20L	2,084	1,710	2,132	1,752	2,109	1,795	60 - 75	28	80,000
Exam	50L	3,793	3,112	3,880	3,188	3,839	3,267	55 - 69	56	80,000
Reading	8L	650	533	665	546	658	560	47 - 59	11	80,000

Information subject to change without notice. Visit www.kenall.com for IES files and additional information.

Model: BHAERS4-48-zz-LASYM-20L-50L-8L-40K8-DIM1-DV Ambient

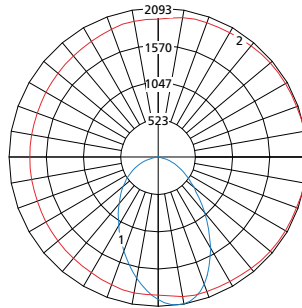
Model: BHAERS4-yy-LASYM-20L-50L-8L-40K8-DIM1-zzz Exam

Model: BHAERS4-yy-LASYM-20L-50L-8L-40K8-DIM1-zzz Reading



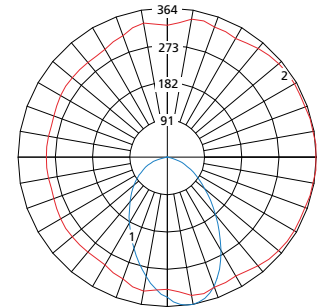
Maximum Candela = 1150 Located At Horizontal Angle = 0, Vertical Angle = 7.5

- 1 - Vertical Plane Through Horizontal Angles (0-180) (Through Max. Cd.)
- 2 - Horizontal Cone Through Vertical Angle (7.5) (Through Max. Cd.)



Maximum Candela = 2093 Located At Horizontal Angle = 0, Vertical Angle = 7.5

- 1 - Vertical Plane Through Horizontal Angles (0-180) (Through Max. Cd.)
- 2 - Horizontal Cone Through Vertical Angle (7.5) (Through Max. Cd.)

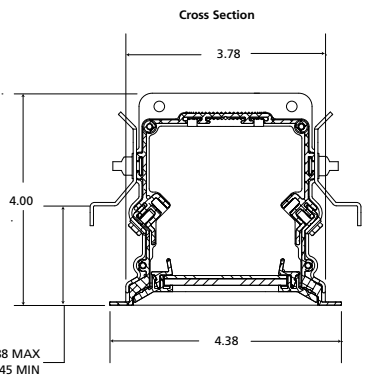
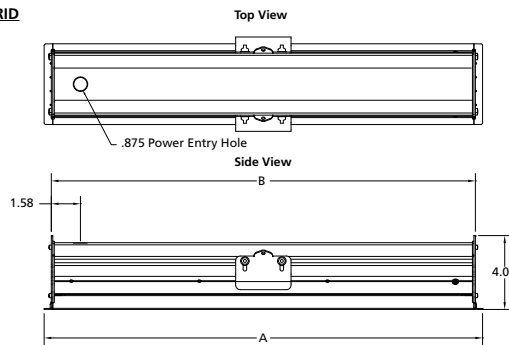


Maximum Candela = 364 Located At Horizontal Angle = 5, Vertical Angle = 10

- 1 - Vertical Plane Through Horizontal Angles (5-185) (Through Max. Cd.)
- 2 - Horizontal Cone Through Vertical Angle (10) (Through Max. Cd.)

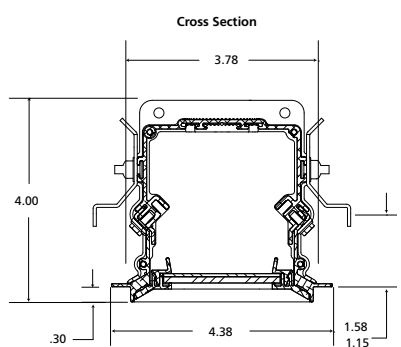
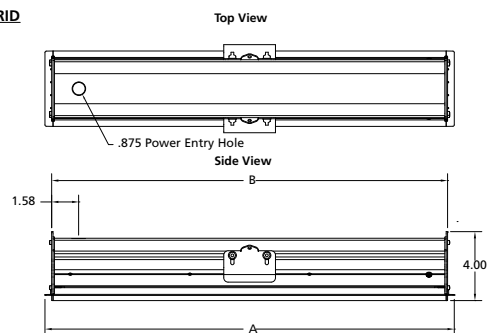
DIMENSIONAL DATA

LAY-IN GRID



Nominal Length	Ceiling Configuration	A	B
48	LAY-IN GRID	47.75"	46.97"
	TEGULAR	47.75"	46.97"

TEGULAR GRID



NOTE: Master units are provided with two (2) 0.875" holes on back of housing. Satellite units are supplied with one (1) 0.875" hole.



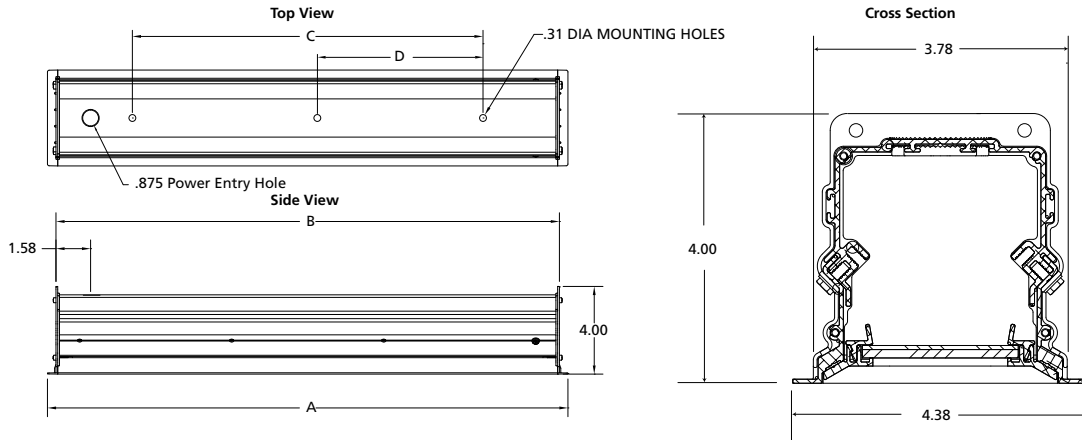
MEDMASTER® SAFESLOT™

Multi-Function Luminaires for Behavioral Health Applications

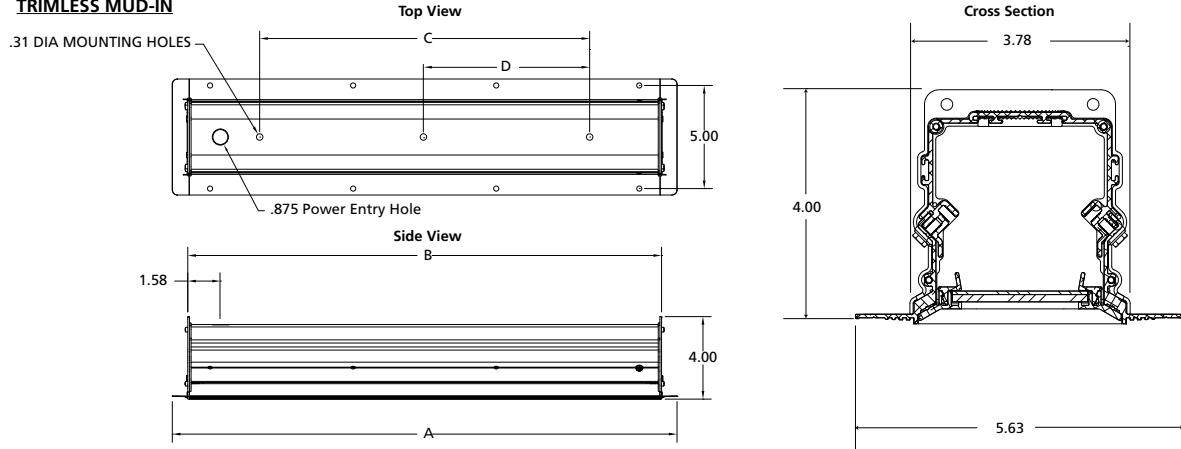
BHAERS4 SERIES

DIMENSIONAL DATA

FLANGE



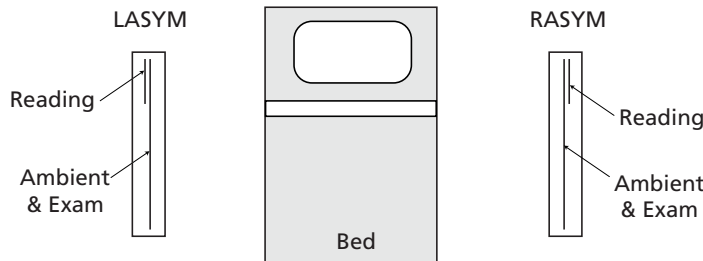
TRIMLESS MUD-IN



Nominal Length	Ceiling Configuration	A	B	C	Ceiling Cut-Out
48	FLANGE	47.75"	46.97"	40.00"	3.875" x 47.25"
	TRIMLESS	48.47"	46.97"	40.00"	

NOTE: Master units are provided with two (2) 0.875" holes on back of housing. Satellite units are supplied with one (1) 0.875" hole.

LUMINAIRE ORIENTATION / LAYOUT (must be specified in pairs)



NOTE: The entry hole is located toward the headwall.



www.kenall.com | P: 800-4-Kenall | F: 262-891-9701 | 10200 55th Street Kenosha, Wisconsin 53144, USA

This product complies with the Buy American Act: manufactured in the United States with more than 50% of the component cost of US origin. It may be covered by patents found at www.kenall.com/patents. Content of specification sheets is subject to change; please consult www.kenall.com for current product details. ©2022 Kenall Mfg. Co.

A brand of **legrand**