

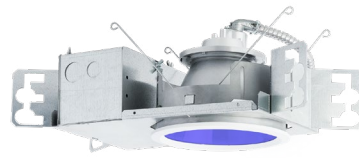
# MEDMASTER NARROW SPECTRUM

## Luminaires for Behavioral Health Applications

### BHDL SERIES

#### PRODUCT FEATURES:

- » 6" sealed, recessed downlight with flush lens trim
- » Peace of Mind Guarantee® against breakage
- » Phosphor-converted 590nm Amber LED source provides higher lumen output and lifetime than native Amber sources
- » Suitable for circadian and other spectrally sensitive healthcare applications
- » 1% Dimming via 0-10V or DALI control



470nm (Blue)



590nm (Phosphor Amber)

#### SPECIFICATIONS

**HEAT SINK:** Die-cast aluminum with external radial fins for natural convection.

**ROUGH-IN FRAME:** 18-gauge die-formed, corrosion-resistant steel. Vertically adjustable collar accommodates ceiling thicknesses up to 2", adjustable post-installation. Universal mounting brackets accept 3/4" and 1-1/2" lathers channel, 1/2" EMT conduit and hanger bars. Quick-access junction box accessible post-installation from above and below ceiling. Includes (4) 1/2" and (2) 3/4" knock-outs to allow straight conduit runs. Listed for (8) 12AWG, 90°C conductors and feed-thru branch wiring. Provided with FMC with electrical quick-connect to Trim Section.

**TRIM/HOUSING SECTION:** IP-rated housing section incorporates the heat sink, LED module, optics and lower trim. Flush lens trim secured with four (4) Torx® tamper-resistant, captive fasteners. Anti-microbial finish standard on all exposed painted surfaces. See trim ordering information for available options.

**OPTICAL:** Diffused tempered-glass upper lens. Available with various reflector distribution patterns and finishes. Flush lens trim options include a clear lens. See distribution and reflector finish ordering information for available options.

**ELECTRICAL:** Phosphor-converted (PC) LED source provides Amber light with a 590nm nominal peak wavelength. Phosphor-converted InGaN-based source provides a higher output and efficacy as well as longer lifetime compared to native amber (AlInGaP-based) source for applications where a broader spectrum is acceptable. Native Blue LED option with 470nm nominal peak wavelength. 120-277VAC, 50/60Hz electrical input with serviceable constant current driver (<20% THD, >0.90 PF). Minimum 85% driver efficiency. Standard 0-10V dimming with 1-100% range; 165µA max. source current. Optional eldoLED ECOdrive DALI driver with 1-100% range.

**PHOTOMETRICS:** Photometry tested to the IESNA LM-79-08 standard by an ILAC/ISO17025 accredited laboratory. For photometric information, go to [www.kenall.com](http://www.kenall.com).

**WARRANTY:** Limited five (5) year LED warranty. Peace of Mind Guarantee against breakage.

**LISTINGS:** Luminaire is certified to UL standards by Intertek Testing Laboratory for non-IC and Wet Location installations. IP65 rating per IEC60598. Optional CCEA compliant.



#### ORDERING INFORMATION (EX: BHDL6-FF-2FW-12PA-W-CSS-G-RIG6-DV-DIM1)

##### TRIM

Model	Trim Style	Trim Finish	Lamp Power	Distribution	Reflector Finish	Flush Lens Type
-------	------------	-------------	------------	--------------	------------------	-----------------

##### BHDL6

##### FF

##### Trim Style

**FF** Flush Lens (With Fasteners - IP65)

##### Trim Finish

**2FW** Cold-Rolled Steel in Flat White  
**5BR** Type 304 Stainless Steel with 4B Brushed Finish  
**5FW** Type 304 Stainless Steel in Flat White

##### Lamp Power / Color

**12PA** 12 Watt Phosphor-Converted Amber LED  
**18BL** 18 Watt 470nm Native Blue LED

##### Distribution

**M** Medium  
**W** Wide

##### Reflector Finish

**FW** Flat White  
**CS** Clear Specular  
**CSS** Clear Semi-Specular

##### Flush Lens Type

**G** 1/8" Clear Polycarbonate  
**9** 1/4" Clear Polycarbonate

##### ROUGH-IN

Rough-In	Input Voltage	Driver Type	Options
----------	---------------	-------------	---------

##### RIG6

##### Rough-In

**RIG6** 6" Rough-In

##### Input Voltage

**DV** 120-277V, 50/60Hz  
**120** 120VAC, 50/60Hz  
**277** 277VAC, 50/60Hz

##### Driver Type

**DIM1** 0-10V Dimming to 1%  
**DALI** DALI Dimming to 1%

##### Options

**LEL** 7W Emergency Battery Backup with Remote Test Switch  
**FS** Fuse & Holder  
**CCEA** CCEA Approved (specified voltage required)



www.kenall.com | P: 800-4-Kenall | F: 262-891-9700 | 10200 55th Street Kenosha, Wisconsin 53144, USA

A brand of **legrand**

This product complies with the Buy American Act: manufactured in the United States with more than 50% of the component cost of US origin. It may be covered by patents found at [www.kenall.com/patents](http://www.kenall.com/patents). Content of specification sheets is subject to change; please consult [www.kenall.com](http://www.kenall.com) for current product details. ©2023 Kenall Mfg. Co.

# MEDMASTER NARROW SPECTRUM

## Luminaires for Behavioral Health Applications

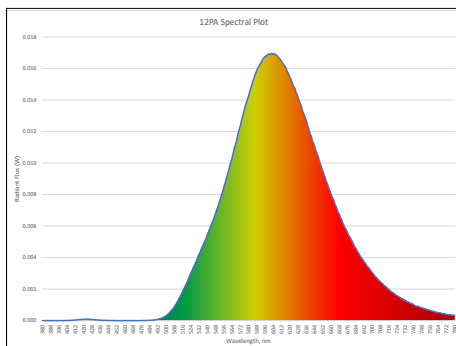
### BHDL SERIES

#### PHOTOMETRIC PERFORMANCE

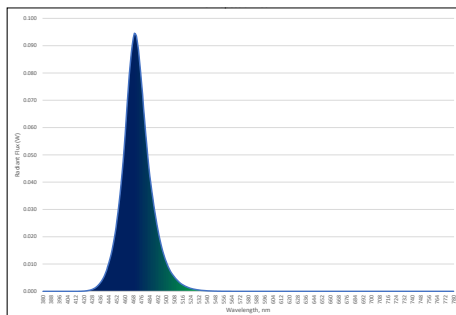
Trim Style	Optic			Lamp Code	Lamp Color	Initial Delivered Lumens	Input Power (W)	Estd. L70 LED Life (hrs)		
	Distribution	Reflector Finish	Lens Type							
FF	M	CS	G	12PA	590nm PC Amber	785	15	72,000		
				18BL	470nm Blue	275	21	60,000		
			9	12PA	590nm PC Amber	767	15	72,000		
				18BL	470nm Blue	269	21	60,000		
			CSS	G	12PA	590nm PC Amber	737	15	72,000	
					18BL	470nm Blue	258	21	60,000	
		9		12PA	590nm PC Amber	720	15	72,000		
				18BL	470nm Blue	252	21	60,000		
		FW	G	12PA	590nm PC Amber	728	15	72,000		
				18BL	470nm Blue	255	21	60,000		
			9	12PA	590nm PC Amber	711	15	72,000		
				18BL	470nm Blue	249	21	60,000		
	W			CS	G	12PA	590nm PC Amber	883	15	72,000
						18BL	470nm Blue	310	21	60,000
		9	12PA		590nm PC Amber	863	15	72,000		
			18BL		470nm Blue	303	21	60,000		
		CSS	G	12PA	590nm PC Amber	750	15	72,000		
				18BL	470nm Blue	263	21	60,000		
	9		12PA	590nm PC Amber	733	15	72,000			
			18BL	470nm Blue	257	21	60,000			
	FW	G	12PA	590nm PC Amber	831	15	72,000			
			18BL	470nm Blue	291	21	60,000			
		9	12PA	590nm PC Amber	812	15	72,000			
			18BL	470nm Blue	285	21	60,000			

Subject to change without notice. Visit [www.kenall.com](http://www.kenall.com) for ies files and additional information.

#### SPECTROPHOTOMETRIC PERFORMANCE



12PA	
Purity	0.993
UV (<400nm)	0.003%
Radiant Flux (≤560nm)	13.400%
Bandwidth	101.6 nm
Peak Wavelength	590 nm



18BL	
Purity	0.9583
Bandwidth	24.4 nm
Peak Wavelength	470 nm



[www.kenall.com](http://www.kenall.com) | P: 800-4-Kenall | F: 262-891-9700 | 10200 55th Street Kenosha, Wisconsin 53144, USA

A brand of **legrand**

This product complies with the Buy American Act: manufactured in the United States with more than 50% of the component cost of US origin. It may be covered by patents found at [www.kenall.com/patents](http://www.kenall.com/patents). Content of specification sheets is subject to change; please consult [www.kenall.com](http://www.kenall.com) for current product details. ©2023 Kenall Mfg. Co.

# MEDMASTER NARROW SPECTRUM

## Luminaires for Behavioral Health Applications

### BHDL SERIES

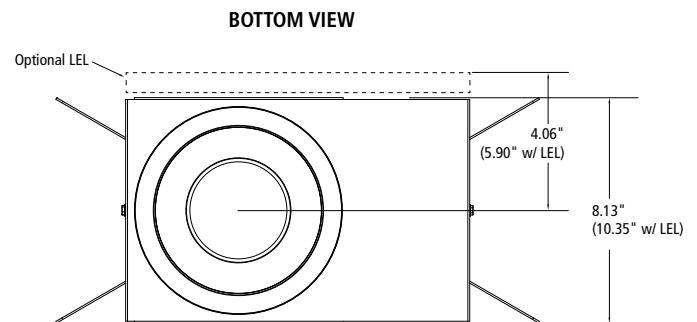
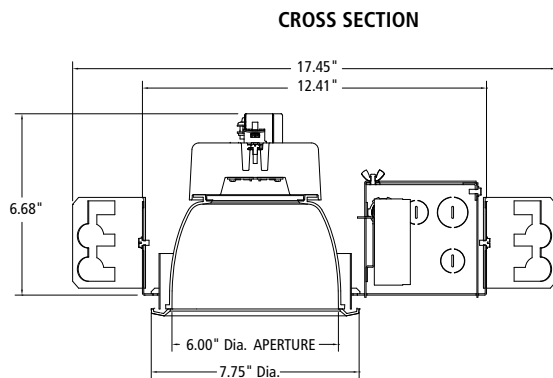
For additional photometry, go to [www.kenall.com](http://www.kenall.com)

#### PHOTOMETRIC PERFORMANCE

Wide Distribution Candela Curve	BHDL6-FF-12PA-W-CS-G		Distance to illuminated plane (ft)	BHDL6-FF-12PA-M-CS-G		Medium Distribution Candela Curve
	Initial center beam footcandles	Beam diameter (ft)		Initial center beam footcandles	Beam diameter (ft)	
	5.7	7.3	5'	18.2	2.8	
	3.9	8.8	6'	12.6	3.4	
	2.9	10.2	7'	9.3	3.9	
	2.2	11.7	8'	7.1	4.5	
	1.8	13.2	9'	5.6	5.0	
	1.4	14.6	10'	4.5	5.6	
Spacing Criteria: 1.38	Footcandle multipliers for 12PA (1.00); 18BL (0.35)				Spacing Criteria: 0.61	
Beam Angle: 72°	Beam diameter is where foot-candles drop to 50% of maximum				Beam Angle: 31°	

Wide Distribution Candela Curve	BHDL6-FF-12PA-W-CSS-G		Distance to illuminated plane (ft)	BHDL6-FF-12PA-M-CSS-G		Medium Distribution Candela Curve
	Initial center beam footcandles	Beam diameter (ft)		Initial center beam footcandles	Beam diameter (ft)	
	6.18	5.7	5'	11.5	4.6	
	4.29	6.8	6'	8.0	5.5	
	3.15	7.9	7'	5.9	6.5	
	2.42	9.1	8'	4.5	7.4	
	1.91	10.2	9'	3.6	8.3	
	1.55	11.3	10'	2.9	9.2	
Spacing Criteria: 1.13	Footcandle multipliers for 12PA (1.00); 18BL (0.35)				Spacing Criteria: 0.77	
Beam Angle: 59°	Beam diameter is where foot-candles drop to 50% of maximum				Beam Angle: 50°	

#### DIMENSIONAL DATA



RECOMMENDED CEILING CUT-OUT: 7.38" Dia.



[www.kenall.com](http://www.kenall.com) | P: 800-4-Kenall | F: 262-891-9700 | 10200 55th Street Kenosha, Wisconsin 53144, USA

A brand of **legrand**

This product complies with the Buy American Act: manufactured in the United States with more than 50% of the component cost of US origin. It may be covered by patents found at [www.kenall.com/patents](http://www.kenall.com/patents). Content of specification sheets is subject to change; please consult [www.kenall.com](http://www.kenall.com) for current product details. ©2023 Kenall Mfg. Co.

BHDL6-NS-101723