

MEDMASTER DOWNLIGHT

BHDL SERIES - TUNABLE WHITE LED

PRODUCT FEATURES:

- » 6" sealed, recessed downlight with flush lens trim
- » High-output, high CRI LED lamp sources with 2700K-6500K white tuning capability
- » Peace of Mind Guarantee® against breakage



PROJECT INFORMATION

Job Name _____

Fixture Type _____

Catalog Number _____

Approved by _____

SPECIFICATIONS

HEAT SINK: Die-cast aluminum with external radial fins for natural convection.

ROUGH-IN FRAME: 18-gauge die-formed, corrosion-resistant steel. Vertically adjustable collar accommodates ceiling thicknesses up to 2", adjustable post-installation. Universal mounting brackets accept 3/4" and 1-1/2" lathers channel, 1/2" EMT conduit and hanger bars. Quick-access junction box accessible post-installation from above and below ceiling. Includes (4) 1/2" and (2) 3/4" knock-outs to allow straight conduit runs. Listed for (4) 12AWG, 90°C conductors and feed-thru branch wiring. Provided with FMC with electrical quick-connect to Trim Section.

TRIM/HOUSING SECTION: IP-rated housing section incorporates the heat sink, LED module, optics and lower trim. Flush lens trim secured with four (4) Torx® tamper-resistant, captive fasteners. Anti-microbial finish standard on all exposed painted surfaces. See Trim Ordering Information for available options.

OPTICAL: High-efficiency mixing chamber design producing uniform light output. Clear flush-mounted outer lens. Available with various reflector distribution patterns, finishes and lens materials—see Ordering Information for available options.

LED MODULE: Tunable-white LED array provides 2700K through 6500K CCT range with a two-point path. 3-step MacAdam variation allowance on each CCT. Minimum 82 CRI (R9 >20).

DRIVER: 120-277VAC, 50/60Hz electrical input (PF ≥ 0.9, THD < 20%). Minimum 85% electrical efficiency. Serviceable, constant-current multi-channel programmable driver with dual analog (0-10V) control inputs for intensity and CCT. Optional DALI (Type 8) driver. Logarithmic intensity profile with 0.1-100% range, with dim-to-dark capabilities. Linear profile on CCT adjustment. Refer to charts on page 2 for further details.

PHOTOMETRICS: Photometry tested to the IESNA LM-79-08 standard by an ILAC/ISO17025 accredited laboratory. For photometric information, go to www.kenall.com.

WARRANTY: Limited five (5) year LED warranty, [Peace of Mind Guarantee against breakage](#).

LISTINGS: Luminaire is certified to UL standards by Intertek Testing Laboratory for non-IC and Wet Location installations. IP65 rating per IEC60598. Optional CCEA compliant.



ORDERING INFORMATION (EX: BHDL6-FF-2FW-22T-27/65K8-M-CSS-G-RIG6-DV-ATW-FS)

TRIM

Model Trim Style Trim Finish Lamp Power Lamp Color Distribution Reflector Finish Flush Lens Type

BHDL6 **FF** _____ _____ **27/65K8**

Trim Style

FF Flush Lens (With Fasteners - IP65)

Trim Finish

2FW Cold-Rolled Steel in Flat White
5BR Type 304 Stainless Steel with 4B Brushed Finish
5FW Type 304 Stainless Steel in Flat White

Lamp Power

22T 22W Tunable White LED
28T 28W Tunable White LED

Lamp Color

27/65K8 2700-6500K CCT Range (82 CRI min)

Distribution

M Medium
W Wide

Reflector Finish

FW Flat White
CS Clear Specular
CSS Clear Semi-Specular

Flush Lens Type

G 1/8" Clear Polycarbonate
9 1/4" Clear Polycarbonate

ROUGH-IN

Rough-In Input Voltage Driver Type Options

RIG6

Rough-In

RIG6 6" Rough-In

Input Voltage

DV 120-277V, 50/60Hz
120 120VAC, 60Hz
277 277VAC, 60Hz

Driver Type

ATW Analog (0-10V) Dimming Tunable White Driver
DTW DALI Tunable White Driver
DMX DMX Tunable White Driver (Consult Factory)

Options

LEL Emergency Battery Backup with Remote Test Switch
FS Fuse & Holder
CCEA CCEA Approved (specified voltage required)
9500 Torx® Screwdriver



www.kenall.com | P: 800-4-Kenall | F: 262-891-9701 | 10200 55th Street Kenosha, Wisconsin 53144, USA

A brand of **legrand**

This product complies with the Buy American Act: manufactured in the United States with more than 50% of the component cost of US origin. It may be covered by patents found at www.kenall.com/patents. Content of specification sheets is subject to change; please consult www.kenall.com for current product details. ©2019 Kenall Mfg. Co.

MEDMASTER DOWNLIGHT

Luminaires for Behavioral Health Applications

BHDL SERIES

PERFORMANCE

Optic			Lamp Code	Delivered Performance at 4000K			Estd. L70 LED Life (hrs)
Distribution	Reflector Finish	Lens Type		Lumen Output (lm)	Efficacy (lm/W)	Input Power (W)	
M	CS	G	22T-27/65K8	1,388	58	24	75,000
			28T-27/65K8	2,221	74	30	60,000
		9	22T-27/65K8	1,222	51	24	75,000
			28T-27/65K8	1,955	65	30	60,000
	CSS	G	22T-27/65K8	1,302	55	24	75,000
			28T-27/65K8	2,084	69	30	60,000
		9	22T-27/65K8	1,147	48	24	75,000
			28T-27/65K8	1,835	61	30	60,000
	FW	G	22T-27/65K8	1,287	54	24	75,000
			28T-27/65K8	2,059	69	30	60,000
		9	22T-27/65K8	1,133	48	24	75,000
			28T-27/65K8	1,813	60	30	60,000
W	CS	G	22T-27/65K8	1,562	66	24	75,000
			28T-27/65K8	2,500	83	30	60,000
		9	22T-27/65K8	1,375	58	24	75,000
			28T-27/65K8	2,201	73	30	60,000
	CSS	G	22T-27/65K8	1,326	56	24	75,000
			28T-27/65K8	2,121	71	30	60,000
		9	22T-27/65K8	1,167	49	24	75,000
			28T-27/65K8	1,868	62	30	60,000
	FW	G	22T-27/65K8	1,469	62	24	75,000
			28T-27/65K8	2,351	78	30	60,000
		9	22T-27/65K8	1,293	54	24	75,000
			28T-27/65K8	2,069	69	30	60,000

Subject to change without notice. Visit www.kenall.com for ies files and additional information.



www.kenall.com | P: 800-4-Kenall | F: 262-891-9701 | 10200 55th Street Kenosha, Wisconsin 53144, USA

A brand of Legrand

This product complies with the Buy American Act: manufactured in the United States with more than 50% of the component cost of US origin. It may be covered by patents found at www.kenall.com/patents. Content of specification sheets is subject to change; please consult www.kenall.com for current product details. ©2019 Kenall Mfg. Co.

MEDMASTER DOWNLIGHT

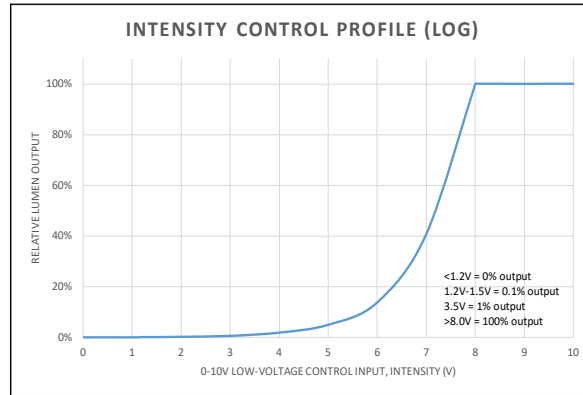
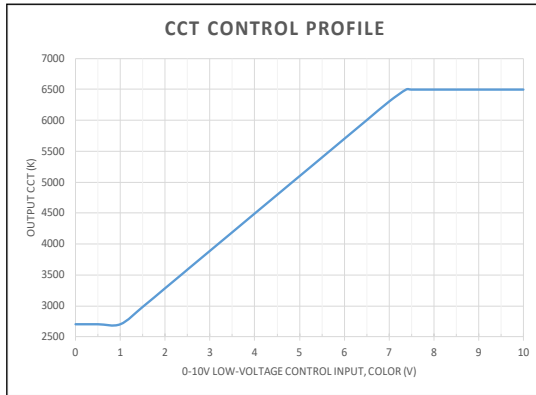
Luminaires for Behavioral Health Applications

BHDL SERIES

PERFORMANCE SCALING, BY LAMP COLOR

CCT (K)	27/65K8					27/65K9				
	LUMEN SCALE FACTOR	Ra	R9	Rf	Rg	LUMEN SCALE FACTOR	Ra	R9	Rf	Rg
2700	0.92	83	10	83	97	0.95	92	57	89	98
3000	0.95	84	15	83	98	0.97	94	70	91	99
3500	0.99	86	23	84	98	0.99	95	77	92	99
4000	1.00	86	26	84	98	1.00	96	83	92	99
4600	1.00	86	28	84	98	1.00	96	90	92	100
5000	1.01	86	25	83	98	1.01	96	96	91	101
5700	0.99	85	23	82	98	0.99	96	96	91	100
6500	0.99	84	16	82	96	0.99	96	96	90	100

CCT AND INTENSITY ADJUSTMENT PROFILE - ATW DRIVER TYPE



NOTE: The provided information is the typical expected performance of a single luminaire. Additional luminaires on the same 0-10V line may result in different control profiles. Fine tuning of system performance should be completed after installation is complete. To avoid CCT shift between luminaires, care should be taken to minimize voltage drop on the CCT Control line. It is recommended to limit the load on the CCT control circuit to twenty (20) luminaires or less.

PERFORMANCE

Wide Distribution Candela Curve	BHDL6-FF-22T-27/65K8-W-CS-G		Distance to illuminated plane (ft)	BHDL6-FF-22T-27/65K8-M-CS-G		Medium Distribution Candela Curve
	Initial center beam foot-candles	Beam diameter (ft)		Initial center beam foot-candles	Beam diameter (ft)	
	36.2	7.8	5'	110.0	3.0	
	28.6	7.9	6'	76.4	3.5	
	20.9	8.5	7'	56.1	4.0	
	16.1	9.8	8'	43.0	4.6	
	12.8	11.0	9'	33.9	5.2	
	10.3	12.5	10'	27.5	5.8	
Spacing Criteria: 1.4	Delivered performance at 4000K. See "Performance Scaling, By Lamp Color" chart for foot-candle multipliers at alternate CCTs				Spacing Criteria: 0.62	
Beam Angle: 59°	Beam diameter is where foot-candles drop to 50% of maximum				Beam Angle: 34°	

Wide Distribution Candela Curve	BHDL6-FF-28T-27/65K8-W-CS-G		Distance to illuminated plane (ft)	BHDL6-FF-28T-27/65K8-M-CS-G		Medium Distribution Candela Curve
	Initial center beam foot-candles	Beam diameter (ft)		Initial center beam foot-candles	Beam diameter (ft)	
	60.8	7.0	5'	347.0	3.0	
	54.0	7.1	6'	241.0	3.2	
	39.8	7.8	7'	177.1	3.5	
	30.5	8.8	8'	135.6	3.8	
	24.0	10.0	9'	107.1	4.0	
	19.4	11.2	10'	66.8	4.8	
Spacing Criteria: 1.36	Delivered performance at 4000K. See "Performance Scaling, By Lamp Color" chart for foot-candle multipliers at alternate CCTs				Spacing Criteria: 0.36	
Beam Angle: 54°	Beam diameter is where foot-candles drop to 50% of maximum				Beam Angle: 21°	



www.kenall.com | P: 800-4-Kenall | F: 262-891-9701 | 10200 55th Street Kenosha, Wisconsin 53144, USA

A brand of **Legrand**

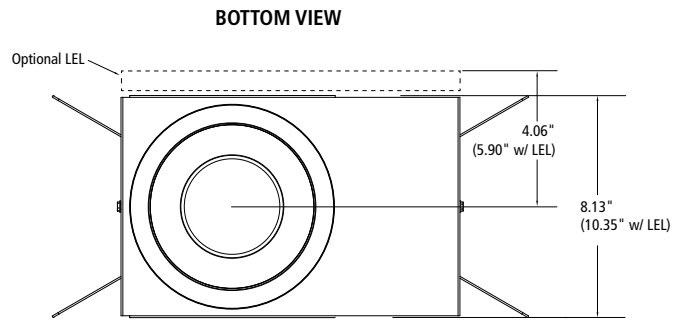
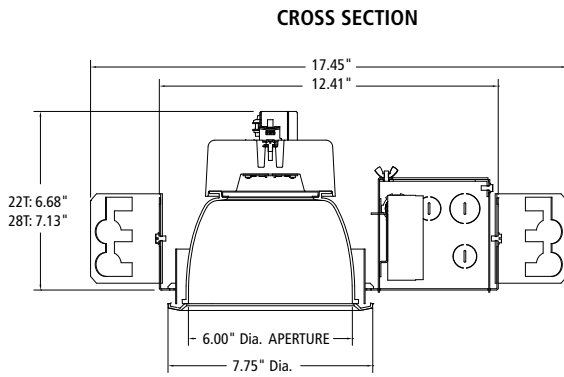
This product complies with the Buy American Act: manufactured in the United States with more than 50% of the component cost of US origin. It may be covered by patents found at www.kenall.com/patents. Content of specification sheets is subject to change; please consult www.kenall.com for current product details. ©2019 Kenall Mfg. Co.

MEDMASTER DOWNLIGHT

Luminaires for Behavioral Health Applications

BHDL SERIES

DIMENSIONAL DATA



RECOMMENDED CEILING CUT-OUT 7.38" Dia.

