

# MEDMASTER® SAFESLOT™

## Luminaires for Behavioral Health Applications

### BHRS4 SERIES with BIOS SkyBlue™



**PRODUCT FEATURES:**

- » 4" recessed linear slot luminaire in multiple lengths
- » Single-function luminaire provides ambient lighting within the patient room
- » One-piece doorframe with continuous lens retention and tamper-resistant fasteners
- » Features BIOS SkyBlue Technology to benefit daytime alertness, cognition, mood and circadian rhythms.
- » High R9 value and High CRI provide biologically optimized LED spectrum for early detection of cyanosis.

**SPECIFICATIONS**

**HOUSING:** Extruded 6063-T5 aluminum construction with aluminum endcaps. Low-gloss anti-microbial white TGIC polyester powder-coat finish with five-stage pre-treatment applied to exterior, room-side components.

**DOORFRAME:** One-piece extruded 6063-T5 aluminum outer frame with low-gloss anti-microbial white TGIC polyester powder-coat finish with five-stage pre-treatment. Inner aluminum extrusion continuously bonds lens to door. Closed-cell gasketing. Tamper-resistant T20 TORX fasteners secure doorframe to housing.

**OPTIC:** Symmetric (Lambertian) distribution. Diffused polycarbonate lens with 0.188" overall thickness.

**LED MODULE:** Serviceable static, dynamic or tunable mid-power Gen 2 BIOS Biological LED modules. Biological Static, Biological Dynamic, and Biological Tunable LED source with blue spectrum peak at 490nm and higher melanopic ratio. CRI 80+ with R9 > 90. Dynamic features 500K downward CCT shift when dimmed for evening applications requiring lower melanopic ratio. Tunable features 2700K CCT for evening applications. Refer to table for specific melanopic values.

**DRIVER/CONTROL:** 120-277VAC, 50/60Hz electrical input (PF ≥ 0.9, THD < 20%). **Biological Static:** Serviceable, constant-current single channel driver with single analog (0-10V) control input for intensity. 1-100% range with dim to dark capabilities and a linear dimming curve. **Biological Dynamic:** Serviceable constant-current driver with the BIOS Dynamic Bio-Dimming™ module keeps light output constant while reducing melanopic lux. Single analog (0-10V) control input. 1-100% dimming range with dim-to-dark capabilities and a linear dimming curve. Dimming from 100-75% reduces CCT by 500K, dimming below 75% reduces light level. **Biological Tunable:** Serviceable, constant-current multi-channel programmable driver with dual analog (0-10V) control inputs for intensity and CCT. Optional DALI (Type 8) driver. Logarithmic intensity profile with 0.1-100% range, with dim-to-dark capabilities. Linear profile on CCT adjustment.

**INSTALLATION:** Suitable for Type-IC recessed ceiling installation into 9/16" and 15/16" lay-in and tegular grid ceilings, flanged drywall ceilings and trimless mud-in installations with 5/8" drywall. See Ordering Information for selection. Suitable for 0°C - 40°C ambient temperature environments.

**PHOTOMETRICS:** Photometry tested to the IESNA LM-79-08 standard by an ILAC/ISO17025 accredited laboratory. For detailed photometric information, please visit [www.kenall.com](http://www.kenall.com).

**WARRANTY:** Limited five (5) year warranty.

**LISTINGS:** Luminaire is certified to UL standards by Intertek Testing Laboratories for Type-IC and Wet Location installations. IP65 rating per IEC60598. NSF2 Splash/Non-Food Zone rated. Standard CCEA compliance.



**ORDERING INFORMATION (Ex: BHRS4-48-FL-SYM-800LFB-35K8-DIM1-DV-LVC/S-LEL)**

Model	Length	Ceiling Configuration	Optical Distribution	Lumen Output	Lamp Color	Driver Type	Voltage	Low-Voltage Controller	LVC Master / Satellite	Options	Accessories
<b>BHRS4</b>			<b>SYM</b>				<b>DV</b>		<b>/</b>		

**Nominal Length**

24	2'
48	4'

**Ceiling Configuration**

G	9/16" and 15/16" Lay-In Grid
TG	9/16" and 15/16" Tegular Grid
FL	Flange
TM	Trimless Mud-In for 5/8" Drywall

**Optical Distribution**

SYM	Symmetric
-----	-----------

**Lumen Output**

400LFB	400 lumens/ft
600LFB	600 lumens/ft
800LFB	800 lumens/ft

**Lamp Color**

35K8	3500K SkyBlue / 80CRI min / R9 90+
40K8	4000K SkyBlue / 80CRI min / R9 90+

**Driver Type**

DIM1	BIOS Biological Static with 0-10V Dimming to 1% with Dim-to-Dark Capabilities
BIODIM1	BIOS Biological Dynamic with 0-10V Intensity Dimming to 1% and Dim-to-Dark Capabilities
ATW	BIOS Biological Tunable White with 0-10V Control of Intensity and CCT independently on 2 separate channels
DTW	BIOS Biological Tunable White with DALI Control of Intensity and CCT independently on 2 separate channels

**Input Voltage**

DV	120-277VAC, 50/60Hz
----	---------------------

**Low-Voltage Controller (Optional)**

LVC*	Low Voltage Controller (click <a href="#">here</a> for specifications)
LVCD*	Low Voltage Controller with Dimming (click <a href="#">here</a> for specifications)

**LVC Master/Satellite for Paired Installations^**

M	Paired 'Master-Control' Luminaire
S	Paired 'Satellite-Control' Luminaire

**Options**

LEL**	Integral Emergency Battery Backup with Remote Test Button
FS	Fuse & Holder

**Accessories**

T20	T20 Tamper-Resistant Torx Bit (D-0552)
-----	--

- \* n/a with BIODIM1 in 2' length
- ^ N/A for products not configured with an LVC option. Paired installations shall be ordered with equal quantities of Type 'M' and 'S' units. AC power feed required to both. Lamp control originates from LVC located in the Master unit. Control wiring method between luminaires supplied by others.
- LEL only available in Satellite unit when ordered in conjunction with an LVC or LVCD controller. Not available with DTW Driver Type.

**ACCESSORIES ORDERED SEPARATELY**  
MPWS Low Voltage Wall Switch (Click [here](#) for Specifications)



**MEDMASTER® SAFESLOT™**  
Luminaires for Behavioral Health Applications

**BHRS4 SERIES with BIOS SkyBlue™**

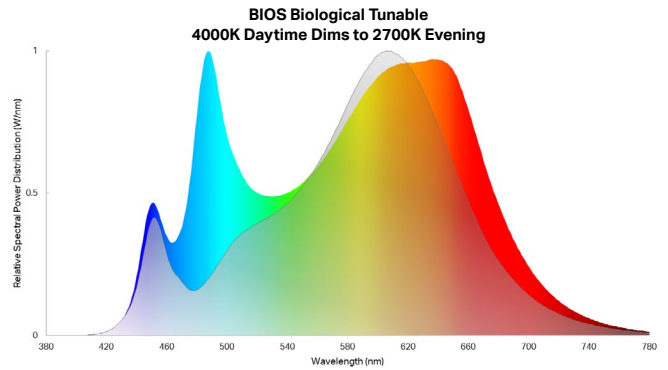
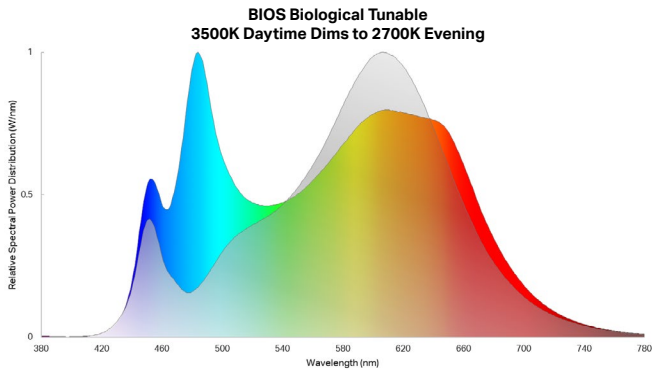
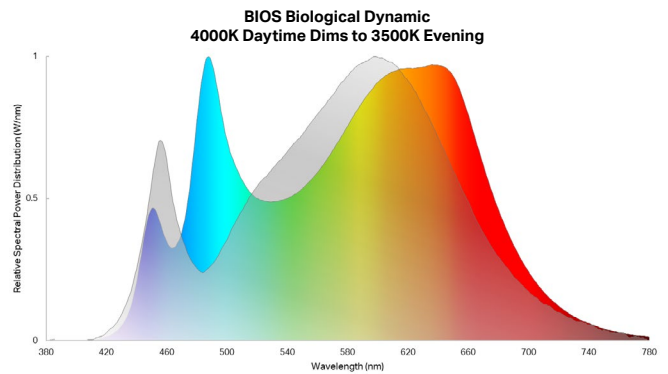
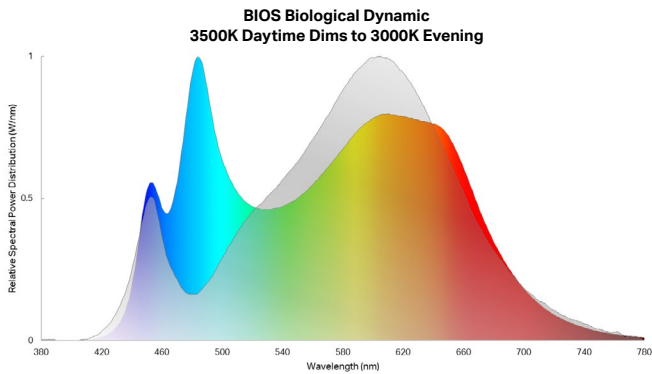
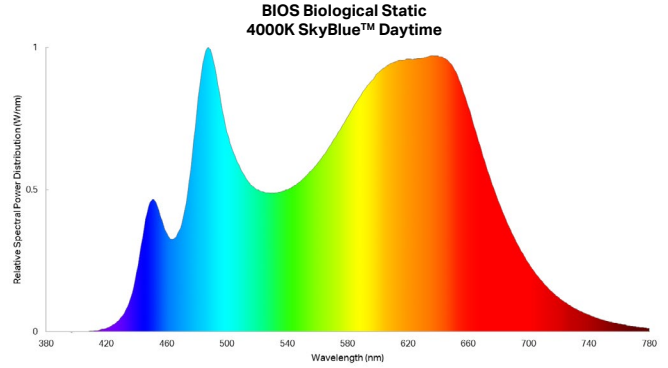
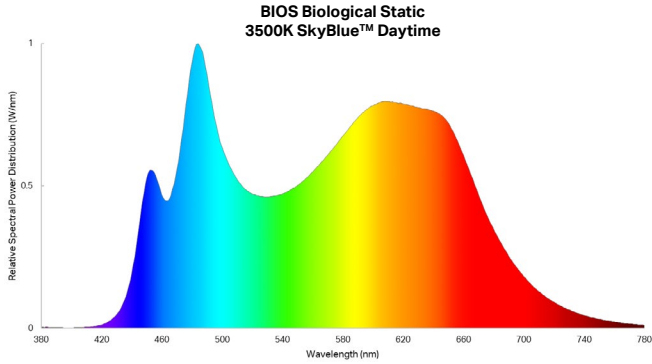
**DELIVERED MELANOPIC RATIO OF 35K8 BIOS**

BIOS Type	Spectral Mode	Nominal CCT	Melanopic Ratio*	
			m-EER	m-DER
Biological Static	Daytime	3500K	≥0.80	≥0.72
Biological Dynamic	Daytime	3500K	≥0.80	≥0.72
	Evening	3000K	≤0.49	≤0.44
Biological Tunable	Daytime	3500K	≥0.80	≥0.72
	Evening	2700K	≤0.47	≤0.42

**DELIVERED MELANOPIC RATIO OF 40K8 BIOS**

BIOS Type	Spectral Mode	Nominal CCT	Melanopic Ratio*	
			m-EER	m-DER
Biological Static	Daytime	4000K	≥0.90	≥0.81
Biological Dynamic	Daytime	4000K	≥0.90	≥0.81
	Evening	3500K	≤0.57	≤0.51
Biological Tunable	Daytime	4000K	≥0.90	≥0.81
	Evening	2700K	≤0.47	≤0.42

\*Melanopic ratios are provided in two forms: (m-EER) which is calculated using the WELL v2 methodology and the corresponding CIE melanopic Daylight Equivalent Ratio, (m-DER).



[www.kenall.com](http://www.kenall.com) | P: 800-4-Kenall | F: 262-891-9701 | 10200 55th Street Kenosha, Wisconsin 53144, USA

A brand of **legand**

This product complies with the Buy American Act: manufactured in the United States with more than 50% of the component cost of US origin. It may be covered by patents found at [www.kenall.com/patents](http://www.kenall.com/patents). Content of specification sheets is subject to change; please consult [www.kenall.com](http://www.kenall.com) for current product details. ©2022 Kenall Mfg. Co.

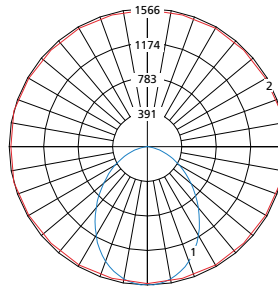
**MEDMASTER® SAFESLOT™**  
 Luminares for Behavioral Health Applications  
**BHRS4 SERIES with BIOS SkyBlue™**

**PERFORMANCE**

Length	Distribution Type	Nominal Lumen Output	Initial Delivered Lumens per Foot, by CCT		Efficacy (lm/W)	Unit Input Power (W/ft)	Estd. L <sub>70</sub> LED Life (Hrs)
			35K8	40K8			
24", 48"	SYM	400LFB	393	427	65 - 70	6	85,000
		600LFB	593	644	63 - 68	9	
		800LFB	781	848	61 - 66	13	

NOTE: Nominal Lumen Output values based on 40K8 lamp color. Information subject to change without notice. Visit [www.kenall.com](http://www.kenall.com) for IES files and additional

Model: BHRS4-48-yy-SYM-800LFB-35K8-DIM1-zzz



Maximum Candela = 1566 Located At Horizontal Angle = 15, Vertical Angle = 2.5

- 1 - Vertical Plane Through Horizontal Angles (15-195) (Through Max. Cd.)
- 2 - Horizontal Cone Through Vertical Angle (2.5) (Through Max. Cd.)



[www.kenall.com](http://www.kenall.com) | P: 800-4-Kenall | F: 262-891-9701 | 10200 55th Street Kenosha, Wisconsin 53144, USA

A brand of **legrand**

This product complies with the Buy American Act: manufactured in the United States with more than 50% of the component cost of US origin. It may be covered by patents found at [www.kenall.com/patents](http://www.kenall.com/patents). Content of specification sheets is subject to change; please consult [www.kenall.com](http://www.kenall.com) for current product details. ©2022 Kenall Mfg. Co.

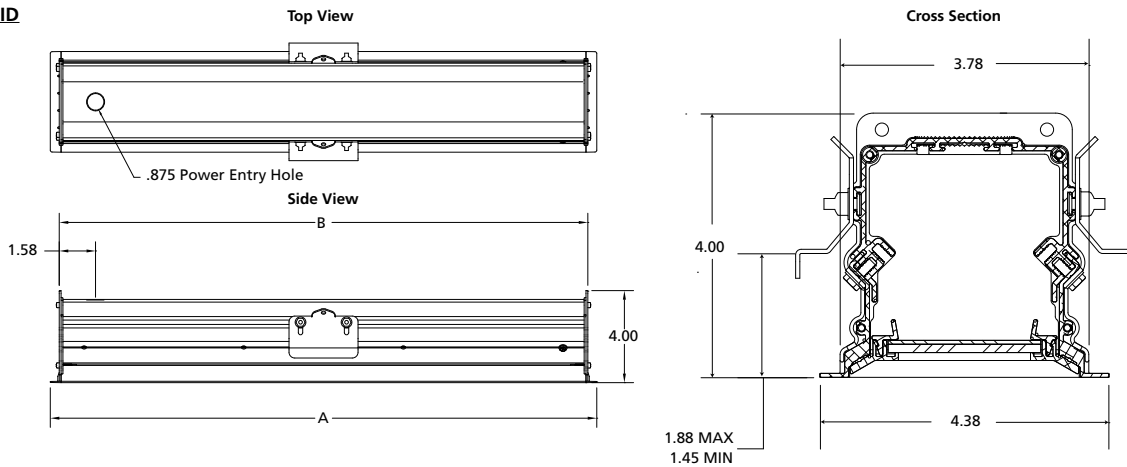
# MEDMASTER® SAFESLOT™

Luminaires for Behavioral Health Applications

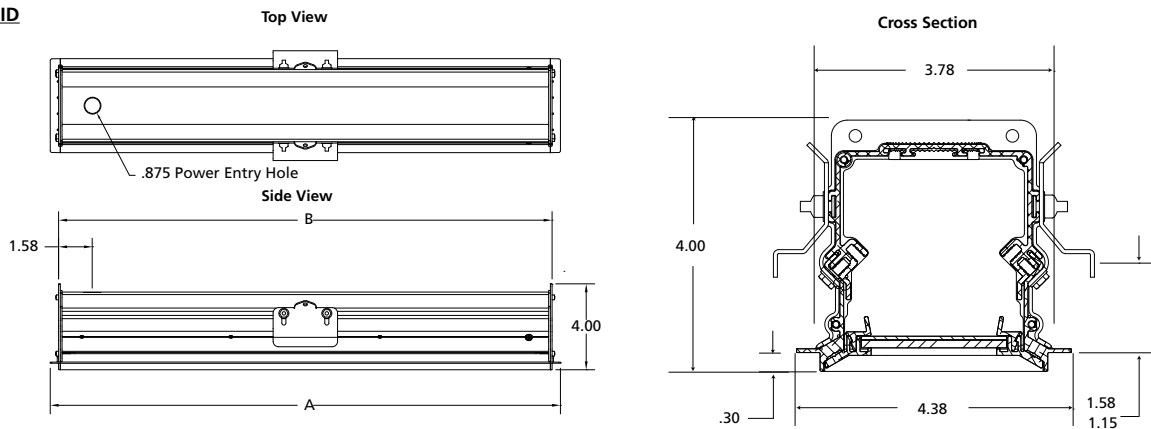
## BHRS4 SERIES with BIOS SkyBlue™

### DIMENSIONAL DATA

#### LAY-IN GRID



#### TEGULAR GRID



Nominal Length	Ceiling Configuration	A	B
24	LAY-IN GRID	23.75"	22.97"
	TEGULAR	23.75"	22.97"
48	LAY-IN GRID	47.75"	46.97"
	TEGULAR	47.75"	46.97"

NOTE: Standard (non-LVC) and LVC Satellite units supplied with one (1) 0.875" hole on back of housing. When ordered with the LVC or LVCD option, the Master unit is provided with two (2) 0.875" holes.



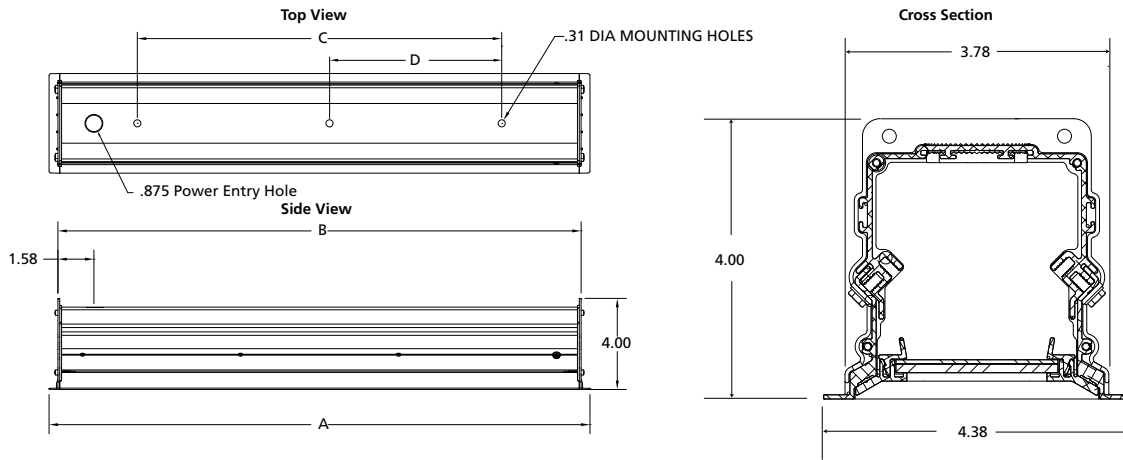
# MEDMASTER® SAFESLOT™

## Luminaires for Behavioral Health Applications

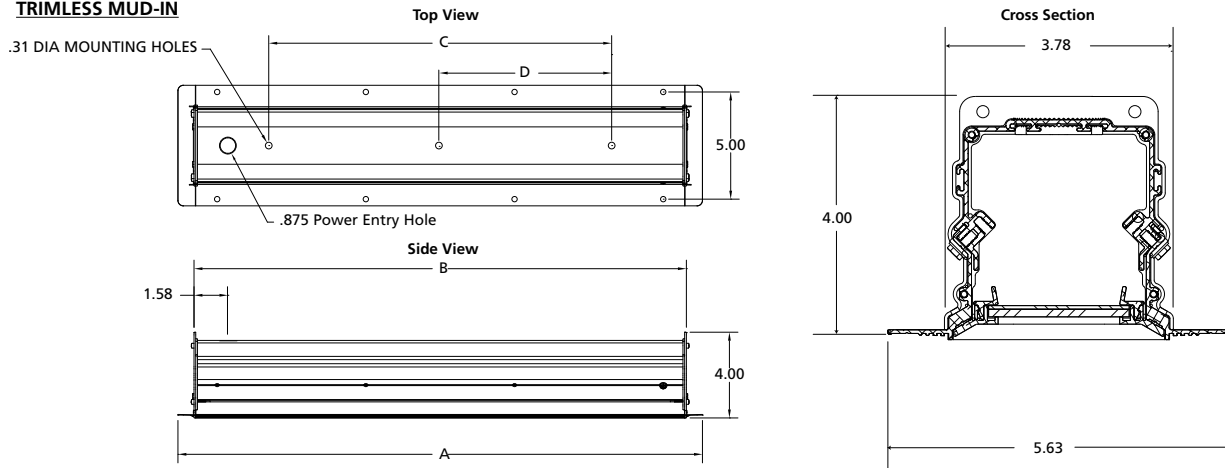
### BHRS4 SERIES with BIOS SkyBlue™

#### DIMENSIONAL DATA

##### FLANGE



##### TRIMLESS MUD-IN



Nominal Length	Ceiling Configuration	A	B	C	D	Ceiling Cut-Out
24	FLANGE	23.75"	22.97"	16.00"	----	3.875" × 23.25"
	TRIMLESS	24.47"	22.97"	16.00"	----	
48	FLANGE	47.75"	46.97"	40.00"	----	3.875" × 47.25"
	TRIMLESS	48.47"	46.97"	40.00"	----	

NOTE: Standard (non-LVC) and LVC Satellite units supplied with one (1) 0.875" hole on back of housing. When ordered with the LVC or LVCD option, the Master unit is provided with two (2) 0.875" holes.



www.kenall.com | P: 800-4-Kenall | F: 262-891-9701 | 10200 55th Street Kenosha, Wisconsin 53144, USA

This product complies with the Buy American Act: manufactured in the United States with more than 50% of the component cost of US origin. It may be covered by patents found at www.kenall.com/patents. Content of specification sheets is subject to change; please consult www.kenall.com for current product details. ©2022 Kenall Mfg. Co.

A brand of **legrand**