

MEDMASTER® CEILING ROUND TROFFER

Architectural Luminaires for Behavioral Health Applications

BHRT SERIES – TUNABLE WHITE LED

PRODUCT FEATURES:

- » 24" Round shape provides a differentiated aesthetic to behavioral health lighting applications
- » Full backlit LED array with 2700K-6500K white tuning capability
- » Continuous lens retention and tamper-resistant fasteners for ligature prevention
- » Standard IP64 and NSF2 rating
- » Suitable for recessed drywall/hard ceilings with minimal plenum ingress
- » Optional night light and low-voltage controller (LVC)



SPECIFICATIONS

HOUSING: Fabricated 20ga CRS housing with white TGIC polyester powder-coat finish and five-stage pre-treatment. Roll-formed and butt-welded 6063-T5 aluminum extruded collar for door attachment, finished in selected color option using TGIC polyester powder with five-stage pre-treatment.

DOOR ASSEMBLY: Roll-formed and butt-welded 6063-T5 extruded aluminum with TGIC polyester powder-coat finish in selected color, with five-stage pre-treatment. Secured to housing with flush-mounted, color-matched and tamper-resistant Torx fasteners. Closed cell silicone gasketing seals doorframe to housing. High-efficiency diffused, impact-resistant acrylic inner lens with outer clear polycarbonate lens in various thickness options. Continuous lens retention with door frame.

LED MODULE: Serviceable tunable-white, mid-power LED array provides 2700K through 6500K CCT range with a two-point path. Minimum 80 CRI standard (R9 >0) with optional minimum 90 CRI (R9 >50). Optional nightlight in 590nm native amber or 2700K, 80CRI white.

DRIVER: 120-277VAC, 50/60Hz electrical input (PF ≥ 0.9, THD < 20%). Minimum 85% electrical efficiency. Serviceable, constant current multi-channel programmable driver with dual analog (0-10V) control inputs for intensity and CCT. Optional DALI (Type 8) driver. Logarithmic intensity profile with 0.1-100% range, with dim-to-dark capabilities. Linear profile on CCT adjustment. Refer to charts on page 2 for further details.

CONTROLS: Optional LVC and LVCD provides a low-voltage patient interface, controlling the lamp source intensity and optional night light with (LVCD) and without (LVC) dimming control. Separate 0-10V control required for CCT tuning.

INSTALLATION: Suitable for Type-IC recessed ceiling installation into drywall ceilings up to 5/8" thick. External brackets on housing secure luminaire to ceiling structure (mounting hardware by others).

PHOTOMETRICS: Photometry tested to the IESNA LM-79-08 standard by an ILAC/ISO17025 accredited laboratory. For detailed photometric information, please visit www.kenall.com.

WARRANTY: Limited five (5) year warranty.

LISTINGS: Luminaire is certified to UL standards by Intertek Testing Laboratories for Type-IC and Wet Location installations. IP64 rating per IEC60598. NSF2 Splash/Non-Food Zone rated. Standard CCEA compliance.



ORDERING INFORMATION (Ex: BHRT-22-F-MW-7-45T-27/65K9-ATW-DV-NLA)

Model	Size	Ceiling Type	Finish	Outer Lens Type	Lamp Power	Lamp Color	Driver Type	Voltage	Options
BHRT	22	F						DV	
Nominal Size		Outer Lens Type		Driver Type					
22	2' Diameter	G	.125" Clear Polycarbonate	ATW	Analog (0-10V) Dimming Tunable White Driver				
		7	.187" Clear Polycarbonate	DALI	DALI Tunable White Driver				
		9	.250" Clear Polycarbonate	DMX	DMX Tunable White Driver (Consult Factory)				
Ceiling Configuration		Lamp Power		Input Voltage					
F	Drywall Ceiling	25T	25 Watt Tunable White	DV	120-277VAC, 50/60Hz				
		45T	45 Watt Tunable White	Options					
Finish - Room-Side		Lamp Color		LEL	Integral 10W Emergency Battery Backup				
GW	Anti-Microbial Gloss White	27/65K8	2700-6500K CCT Range (80 CRI min)	FS	Fuse & Holder				
MW	Anti-Microbial Matte White	27/65K9	2700-6500K CCT Range (90 CRI min)	LVC	Low Voltage Controller (click here for specifications, ATW only)				
CS	Cool Satin Painted Anodized			LVCD	Low Voltage Controller with Dimming (click here for specifications, ATW only)				
WS	Warm Satin Painted Anodized			NLW	2700K White LED Night Light				
				NLA	Amber LED Night Light				

ACCESSORIES ORDERED SEPARATELY
MPWS Low Voltage Wall Switch (Click [here](#) for Specifications)



MEDMASTER® CEILING ROUND TROFFER

Architectural Luminaires for Behavioral Health Applications

BHRT SERIES – TUNABLE WHITE LED

PERFORMANCE

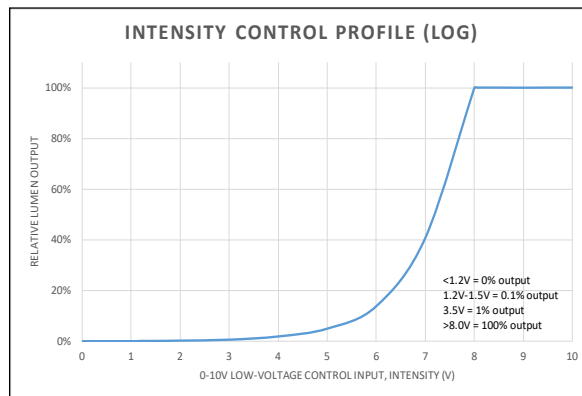
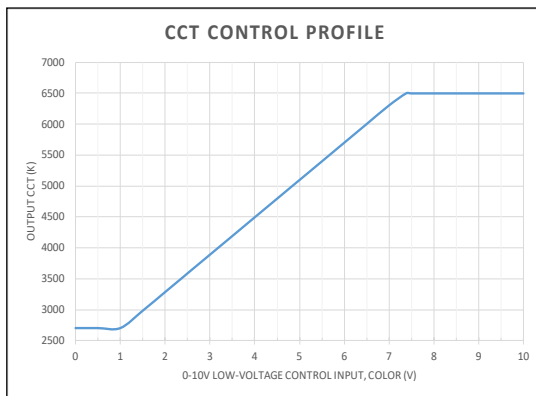
PERFORMANCE		Performance at 4000K Tuning			TM-21 Reported L70 (hrs)
Lens Type	Lamp Code	Lumen Output (lm)	Efficacy (lm/W)	Input Power (W)	
G	25T-27/65K8	2,999	99	30	>72,000
	25T-27/65K9	2,642	87		
	45T-27/65K8	5,195	104	50	
	45T-27/65K9	4,577	92		
7	25T-27/65K8	2,954	97	30	
	25T-27/65K9	2,602	86		
	45T-27/65K8	5,117	102	50	
	45T-27/65K9	4,509	90		
9	25T-27/65K8	2,841	94	30	
	25T-27/65K9	2,503	82		
	45T-27/65K8	4,922	98	50	
	45T-27/65K9	4,337	87		

Information subject to change without notice. Visit www.kenall.com for .ies files and additional information

PERFORMANCE SCALING, BY LAMP COLOR

CCT (K)	27/65K8					27/65K9				
	LUMEN SCALE FACTOR	Ra	R9	Rf	Rg	LUMEN SCALE FACTOR	Ra	R9	Rf	Rg
2700	0.92	83	10	83	97	0.95	92	57	89	98
3000	0.95	84	15	83	98	0.97	94	70	91	99
3500	0.99	86	23	84	98	0.99	95	77	92	99
4000	1.00	86	26	84	98	1.00	96	83	92	99
4600	1.00	86	28	84	98	1.00	96	90	92	100
5000	1.01	86	25	83	98	1.01	96	96	91	101
5700	0.99	85	23	82	98	0.99	96	96	91	100
6500	0.99	84	16	82	96	0.99	96	96	90	100

CCT AND INTENSITY ADJUSTMENT PROFILE - ATW DRIVER TYPE



NOTE: The provided information is the typical expected performance of a single luminaire. Additional luminaires on the same 0-10V line may result in different control profiles. Fine tuning of system performance should be completed after installation is complete. To avoid CCT shift between luminaires, care should be taken to minimize voltage drop on the CCT Control line.



www.kenall.com | P: 800-4-Kenall | F: 262-891-9700 | 10200 55th Street Kenosha, Wisconsin 53144, USA

This product complies with the Buy American Act: manufactured in the United States with more than 50% of the component cost of US origin. It may be covered by patents found at www.kenall.com/patents. Content of specification sheets is subject to change; please consult www.kenall.com for current product details. ©2023 Kenall Mfg. Co.

A brand of Legrand

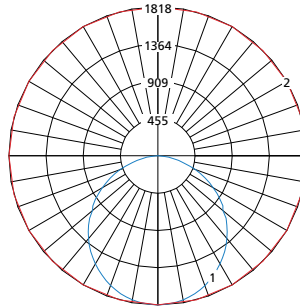
MEDMASTER® CEILING ROUND TROFFER

Architectural Luminaires for Behavioral Health Applications

BHRT SERIES – TUNABLE WHITE LED

PERFORMANCE

Model: BHRT-22-F-tt-7-45T-27/65K8-ATW-DV

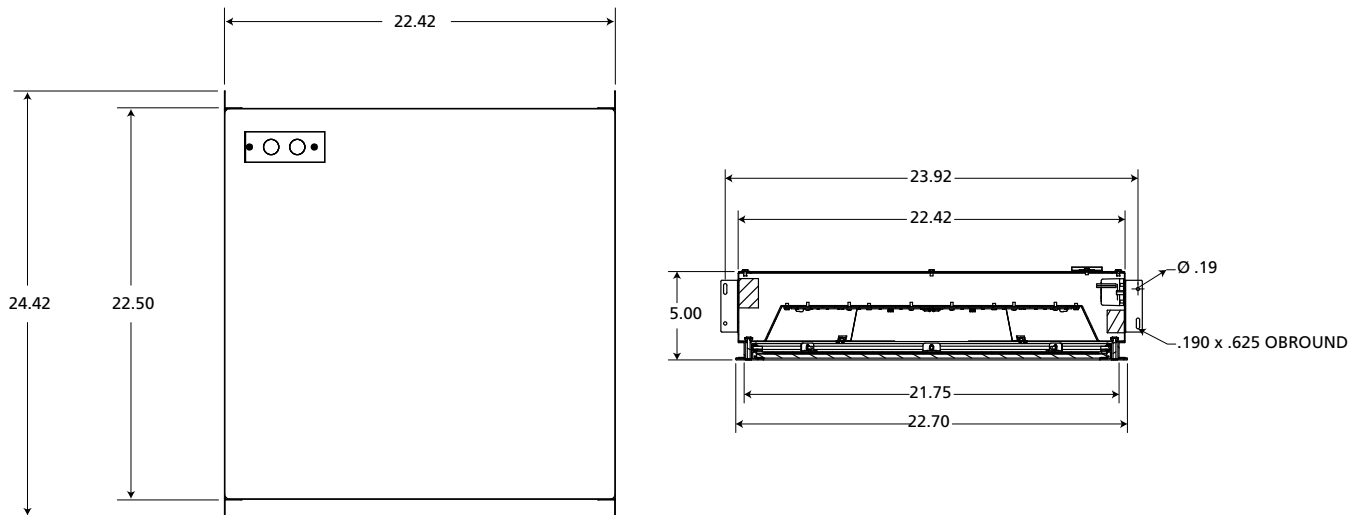


Maximum Candela = 1818 Located At Horizontal Angle = 0, Vertical Angle = 0

1 - Vertical Plane Through Horizontal Angles (0-180) (Through Max. Cd.)

2 - Horizontal Cone Through Vertical Angle (0) (Through Max. Cd.)

DIMENSIONAL DATA



www.kenall.com | P: 800-4-Kenall | F: 262-891-9700 | 10200 55th Street Kenosha, Wisconsin 53144, USA

This product complies with the Buy American Act: manufactured in the United States with more than 50% of the component cost of US origin. It may be covered by patents found at www.kenall.com/patents. Content of specification sheets is subject to change; please consult www.kenall.com for current product details. ©2023 Kenall Mfg. Co.

A brand of **legrand**