

# CHICAGO APPROVED EXITS

## CAE SERIES

### PRODUCT FEATURES:

- » Chicago Approved
- » White Edge-lit LED
- » Tool-less access
- » Emergency Battery Option



### PROJECT INFORMATION

Job Name \_\_\_\_\_

Fixture Type \_\_\_\_\_

Catalog Number \_\_\_\_\_

Approved by \_\_\_\_\_

### SPECIFICATIONS

**HOUSING:** 20 gauge galvanized steel with adjustable hanger brackets. Removable access plate provides access for wiring to electrical connections.

**FACEPLATE:** White silk screen backing on injected molded clear acrylic face. Beveled edges with silver reflector bottom edge for improved uniformity. Face ships installed into 18 gauge cold rolled steel faceplate with torsion springs for mounting to either housing.

**LEGEND:** 6" x .750" stroke red letters illuminated by internal edge-lit LEDs.

**ELECTRICAL:** White edge-lit LEDs. 120-277VAC. 50,000 L70 Lifetime hours.

**OPTIONS:** Sealed nickel-cadmium Emergency Battery Pack (EL) protected mechanical test switch and status indicator. Provides 120 minutes of emergency operation. The 120 minute Emergency Battery Pack (EL) is suitable for 10°C to 40°C. Stem and canopy available with surface mounting.

**WARRANTY:** Limited three (3) year warranty.

**LISTINGS:** Approved by the Chicago Fire Department and Chicago Department of Buildings. UL listed for Damp Location. Meets or exceeds UL924 and NFPA 101 standards. CCEA Approved.



### FACEPLATE ORDERING INFORMATION (Ex: CAE-2-EX-R)

Model	Faceplate	Legend Options	Legend Arrows
<b>CAE</b>			
	<b>Faceplate</b>	<b>Legend Options</b>	<b>Legend Arrows</b>
	1 Single	EX EXIT	L Left
	2 Double	STA STAIRS	R Right
			D Dual
			LR Universal Left/Right for Double Face
			N None

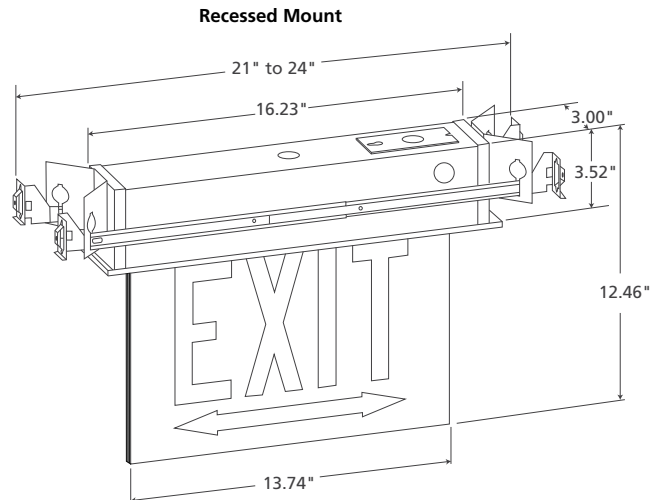
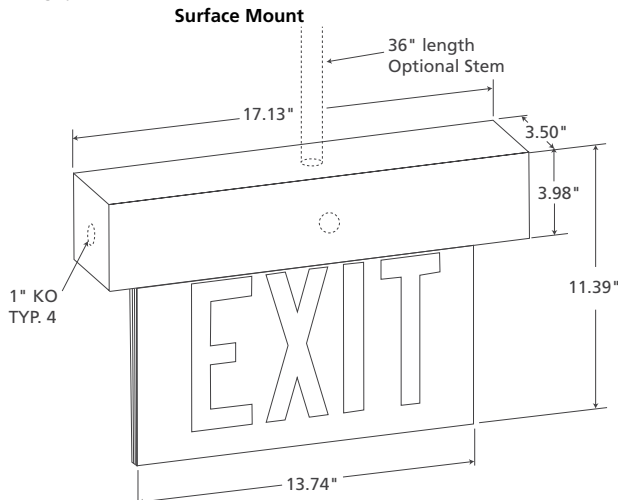
### HOUSING ORDERING INFORMATION (Ex: CAE-R-DV-NC)

Model	Mounting Type	Voltage	Options
<b>CAE</b>	<b>R</b>	<b>DV</b>	
	<b>Mounting Type</b>	<b>Voltage</b>	<b>Options</b>
	R Recessed	DV 120-277 Volts	NC NiCad Emergency Battery

### OPTIONS NOT AVAILABLE IN CONJUNCTION

	FACEPLATE	LEGEND	Arrows
1	Single	Exit	None
2	Double	Exit	Left/Right

### DIMENSIONAL DATA



www.kenall.com

P: 800-4-Kenall

F: 262-891-9701

10200 55th Street Kenosha, Wisconsin 53144, USA

Content of specification sheets is subject to change; please consult www.kenall.com for current product details. © 2014 Kenall Mfg. Co. All rights reserved.