

# SIMPLESEAL® CLEANSLOT™

## Luminaires for Cleanrooms

### CRS4 SERIES

#### PRODUCT FEATURES:

- » 4" recessed linear slot luminaire in multiple lengths
- » Designed for use in ISO 3-9 rated cleanrooms where ceiling space is limited
- » Symmetric and 15° asymmetric optical distribution options
- » No visible room-side fasteners for clean aesthetic
- » High-output, high-CRI LED lamp sources



#### PROJECT INFORMATION

Job Name \_\_\_\_\_

Fixture Type \_\_\_\_\_

Catalog Number \_\_\_\_\_

Approved by \_\_\_\_\_

#### SPECIFICATIONS

**HOUSING:** Extruded 6063-T5 aluminum construction with gasketed aluminum endcaps. Low-gloss anti-microbial white TGIC polyester powder-coat finish with five-stage pre-treatment.

**OPTIC:** Symmetric (Lambertian) or 15° asymmetric distribution option. Snap-in, one-piece extruded frost DR acrylic diffuser.

**LED MODULE:** Serviceable mid-power LED array. Minimum 82 CRI standard (R9>20). See Ordering Information for available color temperature options.

**DRIVER:** 120-277VAC or 347VAC, 50/60Hz electrical input with serviceable constant-current driver (<20% THD, >0.90 PF). Minimum 85% driver efficiency. Standard 0-10V dimming with 1-100% range and dim-to-dark capabilities (non dim-to-dark with 347V); maximum 330 μA maximum source current. Optional eldoLED ECODrive DALI drivers with 1-100% range.

**INSTALLATION:** Suitable for Type-IC recessed ceiling installation into 9/16" and 15/16" lay-in grid and flanged drywall (5/8" max). See Ordering Information for selection. Suitable for 0°C - 40°C ambient temperature environments. Suitable for applications requiring USP 797 and USP 800 compliance.

**PHOTOMETRICS:** Photometry tested to the IESNA LM-79-08 standard by an ILAC/ISO17025 accredited laboratory. For detailed photometric information, please visit [www.kenall.com](http://www.kenall.com).

**WARRANTY:** Limited five (5) year warranty.

**LISTINGS:** Luminaire is certified to UL standards by Intertek Testing Laboratories for Type-IC and Wet Location installations. IP65 rating per IEC60598. Suitable for biosafety labs rated BSL 1 and 2. Meets FED-STD-209E/Class 1 (ISO 3) Cleanrooms. NSF2 Splash/Non-Food Zone rated. Standard CCEA compliance.



#### ORDERING INFORMATION (Ex: CRS4-48-G-SYM-1200LF-35K9-DIM1-DV-LEL)

Model	Length	Ceiling Configuration	Optical Distribution	Lumen Output	Lamp Color	Driver Type	Voltage	Options
<b>CRS4</b>								
	<b>Nominal Length</b>			<b>Lumen Output</b>		<b>Driver Type</b>		
	24 2'			500LF 500 lumens/ft		<b>DIM1</b> 0-10V Dimming to 1%		
	36 3'			750LF 750 lumens/ft		<b>DALI*</b> DALI Dimming to 1% (n/a with 6' length, and 1200LF in 8' length)		
	48 4'			1200LF 1200 lumens/ft				
	72 6'				<b>Lamp Color</b>	<b>Input Voltage</b>		
	96 8'				30K8 3000K / 80 CRI min.	<b>DV</b> 120-277VAC, 50/60Hz		
		<b>Ceiling Configuration</b>			30K9 3000K / 90 CRI min.	<b>347</b> 347VAC, 60Hz (n/a with 2' and 3' lengths)		
		G 9/16" and 15/16" Lay-In Grid			35K8 3500K / 80 CRI min.			
		FL Flange			35K9 3500K / 90 CRI min.	<b>Options</b>		
			<b>Optical Distribution</b>		40K8 4000K / 80 CRI min.	<b>LEL*</b> 10W Integral Emergency Battery Backup with Remote Test Button		
			SYM Symmetric		40K9 4000K / 90 CRI min.	<b>FS</b> Fuse & Holder		
			ASYM Asymmetric					

\* n/a with 347V



www.kenall.com | P: 800-4-Kenall | F: 262-891-9700 | 10200 55th Street Kenosha, Wisconsin 53144, USA

A brand of **legrand**

This product complies with the Buy American Act: manufactured in the United States with more than 50% of the component cost of US origin. It may be covered by patents found at [www.kenall.com/patents](http://www.kenall.com/patents). Content of specification sheets is subject to change; please consult [www.kenall.com](http://www.kenall.com) for current product details. ©2023 Kenall Mfg. Co.

Luminaires for Cleanrooms

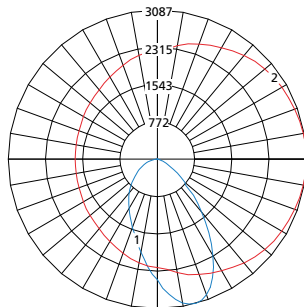
**CRS4 SERIES**

**PERFORMANCE**

Distribution Type	Nominal Lumen Output	Initial Delivered Lumens per Foot, by Lamp Color (lm/ft)						Efficacy (lm/W)	Unit Input Power (W/ft)	Estd. L70 LED Life (Hrs)
		30K8	30K9	35K8	35K9	40K8	40K9			
ASYM	500LF	517	424	529	434	523	445	88 - 110	5	85,000
	750LF	757	621	774	636	766	652	87 - 108	7	85,000
	1200LF	1,188	975	1,215	998	1,202	1,023	79 - 99	12	85,000
SYM	500LF	473	409	488	419	504	429	104 - 128	4	85,000
	750LF	707	611	729	626	754	641	104 - 128	6	85,000
	1200LF	1,137	983	1,172	1,007	1,212	1,032	98 - 121	10	85,000

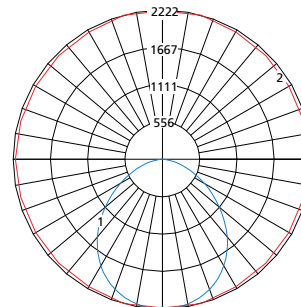
Nominal Lumen Output values based on 40K8 lamp color. Information subject to change without notice. Visit [www.kenall.com](http://www.kenall.com) for IES files and additional information.

Model: CRS4-48-yy-ASYM-1200LF-40K8-DIM1-zzz



Maximum Candela = 3087 Located At Horizontal Angle = 0, Vertical Angle = 15  
 1 - Vertical Plane Through Horizontal Angles (0-180) (Through Max. Cd.)  
 2 - Horizontal Cone Through Vertical Angle (15) (Through Max. Cd.)

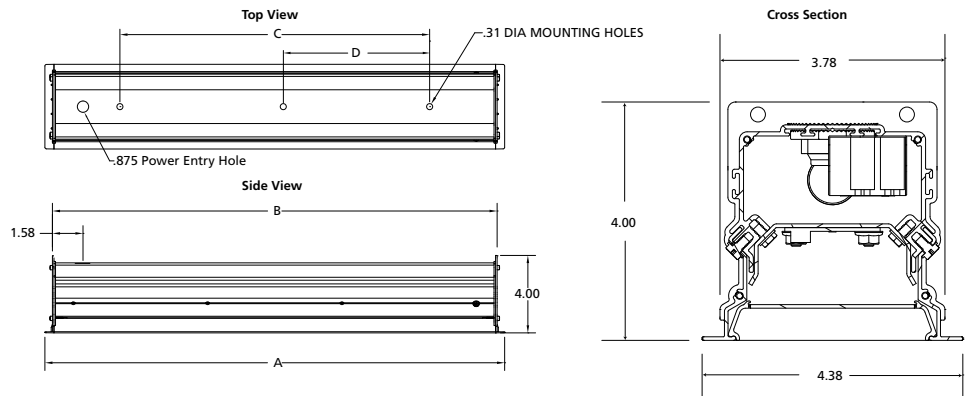
Model: CRS4-48-yy-SYM-1200LF-40K8-DIM1-zzz



Maximum Candela = 2222 Located At Horizontal Angle = 75, Vertical Angle = 2.5  
 1 - Vertical Plane Through Horizontal Angles (75-255) (Through Max. Cd.)  
 2 - Horizontal Cone Through Vertical Angle (2.5) (Through Max. Cd.)

**DIMENSIONAL DATA**

**FLANGE**



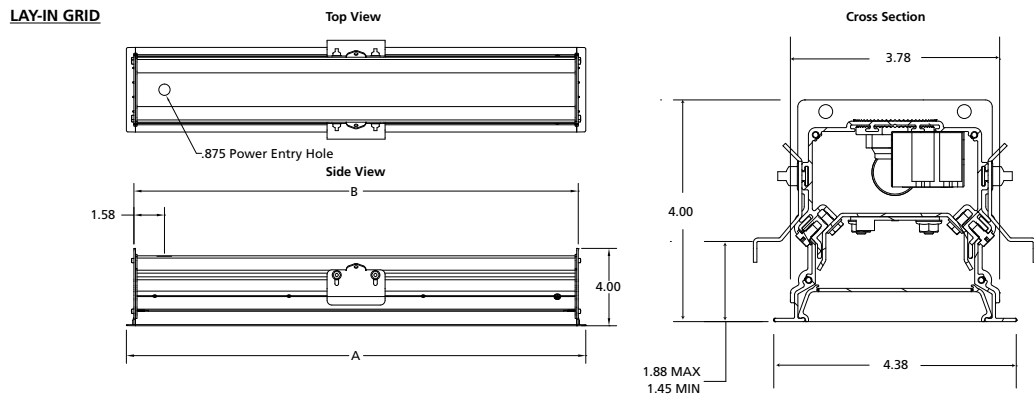
Nominal Length	Ceiling Configuration	A	B	C	D	Ceiling Cut-Out
24	FLANGE	23.75"	22.97"	16.00"	----	3.875" × 23.25"
36	FLANGE	35.75"	34.97"	28.00"	----	3.875" × 35.25"
48	FLANGE	47.75"	46.97"	40.00"	----	3.875" × 47.25"
72	FLANGE	71.75"	70.97"	64.00"	32.00"	3.875" × 71.25"
96	FLANGE	95.75"	94.97"	88.00"	44.00"	3.875" × 95.25"



# SIMPLESEAL® CLEANSLOT™

Luminaires for Cleanrooms

## CRS4 SERIES



Nominal Length	Ceiling Configuration	A	B
24	LAY-IN GRID	23.75"	22.97"
36	LAY-IN GRID	35.75"	34.97"
48	LAY-IN GRID	47.75"	46.97"
72	LAY-IN GRID	71.75"	70.97"
96	LAY-IN GRID	95.75"	94.97"



www.kenall.com | P: 800-4-Kenall | F: 262-891-9700 | 10200 55th Street Kenosha, Wisconsin 53144, USA

A brand of **legrand**

This product complies with the Buy American Act: manufactured in the United States with more than 50% of the component cost of US origin. It may be covered by patents found at [www.kenall.com/patents](http://www.kenall.com/patents). Content of specification sheets is subject to change; please consult [www.kenall.com](http://www.kenall.com) for current product details. ©2023 Kenall Mfg. Co.