

# SIMPLESEAL™ NARROW SPECTRUM

## CSEDI SERIES – RED & WHITE LED – INSET DOOR

### PROJECT INFORMATION

Job Name \_\_\_\_\_

Fixture Type \_\_\_\_\_

Catalog Number \_\_\_\_\_

Approved by \_\_\_\_\_

#### PRODUCT FEATURES:

- » Narrow-spectrum 630nm red LED circuit provides only high-purity light for spectrally-sensitive applications
- » High-output, high-CRI white LED circuit provides visual acuity and accurate color rendition
- » Diffused high-efficiency lens for reduced glare
- » One-piece inset doorframe, secured to housing with aircraft cables
- » Suitable for universal installation into 1.0" and 1.5" grid or flange (drywall) ceilings



1'x4'

2'x2'

2'x4'

#### SPECIFICATIONS

**HOUSING:** Standard 24-gauge (optional 20-gauge) cold rolled steel, hole-free, one-piece, seam-welded construction. 18-gauge housing flange with mitered and welded corners. White TGIC polyester powder coat finish – 5-step pre-treatment. Salt spray test: 1,000 hours; Reflectance: 92%.

**DOORFRAME:** 18-gauge CRS. One-piece inset-style construction with welded corners. Gloss white TGIC polyester powder coat finish with 5-stage pre-treatment. Doorframe secured to housing with stainless steel aircraft cables and captive, flush-mounted Phillips-head fasteners. Closed-cell silicone gasket seals doorframe to housing.

**OPTICS:** Symmetric optic includes diffused, impact-resistant acrylic lens.

**ELECTRICAL:** Replaceable white mid-power LED array. Available 3500K, 4000K and 5000K color temperatures with maximum 3-step MacAdam variation allowance. Minimum 82 CRI, R9>0. 630nm red mid-power LED array (16nm FWHM bandwidth). 120/277VAC or 347VAC, 50/60Hz electrical input with replaceable high power factor electronic, constant-current driver (<10% THD, >0.90 PF). Minimum 85% driver efficiency. Standard 0-10V dimming with 1-100% range with dim-to-dark capabilities on white and red circuit (non dim-to-dark with 347V; 495 µA maximum source current per circuit). Optional 0-10V dimming with 0.1-100% range and dim-to-dark capabilities via eldoLED SOLDrive series driver (n/a 347V input; ≤0.5V required from dimming control for dim-to-dark operation; 600µA max. source current). White circuit and red circuit can be independently powered and dimmed.

**INSTALLATION:** Non-IC recessed ceiling mounting into grid and flange application types. Flange installation utilizes included adjustable swing-out mounting brackets. Grid installation suitable for 1" and 1.5" T-bar ceilings. Universal installation into grid or flange (drywall) ceiling applications. See Options for continuous row mounting and install frames.

**PHOTOMETRICS:** Photometry tested to the IESNA LM-79-08 standard. For additional photometric data, please go to [www.kenall.com](http://www.kenall.com)

**WARRANTY:** Limited five (5) year warranty.

**LISTINGS:** Luminaire is certified to UL standards by Intertek Testing Laboratories for Wet Location. Certified IP65 per IEC 60598. NSF2 Splash/Non-Food Zone. CCEA Approved. Meets K230 Leakage Standard for luminaire leakage in pressurized environments and FED-STD-209E/Class 1 (ISO 3) Cleanrooms. Suitable for BSL 1-2 laboratories. Suitable for EU GMP Grade A cleanrooms.



#### ORDERING INFORMATION (Ex: CSEDI-24-23RD/67L-40K8-DIM1-DV-2F-2H-SYM)

Model	Size	Lamp Power	Lamp Color	Driver	Voltage	Doorframe	Housing	Optics	Options
<b>CSEDI</b>								<b>SYM</b>	
<b>Size</b>				<b>Driver Type</b>			<b>Housing Options</b>		
14	1'x4'			<b>DIM1</b>	0-10V Dimming to 1%		<b>4H</b>	24-Ga CRS (STD)	
22	2'x2'			<b>DIM01</b>	0-10V Dimming to 0.1% (n/a with 347V)		<b>2H</b>	20-Ga CRS	
24	2'x4'			<b>Voltage</b>			<b>5H</b>	20-Ga Type 304 SS	
<b>Lamp Power</b>				<b>DV</b>	120-277VAC, 50/60Hz		<b>PAH</b>	.050" Painted Aluminum	
<b>1'x4'</b>				<b>120</b>	120VAC		<b>Optics</b>		
<b>23R/45L</b>	23 Watt Red/45 Watt White LED			<b>277</b>	277VAC		<b>SYM</b> Symmetric, Diffused DR Acrylic		
<b>23R/67L</b>	23 Watt Red/67 Watt White LED			<b>347</b>	347VAC		<b>Options</b>		
<b>23R</b>	23 Watt Red LED			<b>Doorframe Options</b>			<b>LEL</b> ▲ 8.4W Emergency Battery Pack		
<b>2'x2'</b>				<b>2F</b>	18-Ga CRS (STD)		<b>20KV</b> 20KV/KA Surge Protection per IEEE/ANSI C62.41.2 Cat. A		
<b>23RD/45LD</b>	23 Watt Red/45 Watt White LED			<b>5F</b>	20-Ga Type 304 SS Brushed		<b>AMF</b> ▲ Antimicrobial Finish		
<b>23RD/67L</b>	23 Watt Red/67 Watt White LED			<b>AF</b>	Anodized Aluminum		<b>FS</b> Fuse & Holder		
<b>23RD</b>	23 Watt Red LED			<b>PAF</b>	Painted Fabricated Aluminum		<b>HJ</b> Sealed Wireway		
<b>2'x4'</b>							<b>RF</b> Radio Frequency Filter		
<b>23RD/67L</b>	23 Watt Red/67 Watt White LED						<b>RM</b> † Continuous Row Mounting		
<b>23RD/90L</b>	23 Watt Red/90 Watt White LED						<b>Accessories</b>		
<b>23RD/135L</b>	23 Watt Red/135 Watt White LED						<b>IF</b> *† Install Frame		
<b>46R</b>	46 Watt Red LED								
<b>Lamp Color</b> ‡									
<b>35K8</b>	3500K, 82 CRI								
<b>40K8</b>	4000K, 82 CRI								
<b>50K8</b>	5000K, 82 CRI								

\* Add .375" to ceiling cut out dimensions  
 † Only available when installed in drywall ceilings (flange mount), Consult factory for ceiling layout assistance  
 • Voltage specific selection required. n/a with 23R/67L lamp on 1'x4' and 2'x2' sizes  
 ▲ Voltage specific selection required; n/a with 347V. Wired to white LED when red white lamping is selected. Height of fixture is 5.875" with LEL Option. 0°C/32°F min. operating environment.  
 ‡ Not applicable for all-red configurations  
 ▼ Applied only to exposed painted surfaces of luminaire (not available on stainless steel doorframes)



[www.kenall.com](http://www.kenall.com) | P: 800-4-Kenall | F: 262-891-9701 | 10200 55th Street Kenosha, Wisconsin 53144, USA

A brand of **Legrand**

This product complies with the Buy American Act: manufactured in the United States with more than 50% of the component cost of US origin. It may be covered by patents found at [www.kenall.com/patents](http://www.kenall.com/patents). Content of specification sheets is subject to change; please consult [www.kenall.com](http://www.kenall.com) for current product details. ©2022 Kenall Mfg. Co.

# SIMPLESEAL™

## CSEDI SERIES – TECHNICAL DATA

### PERFORMANCE

#### Red/White LED

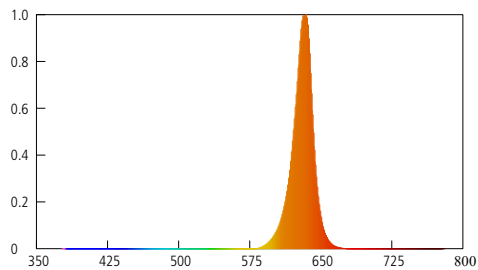
Size	Lamp Code	Red Circuit			White Circuit			White/Red Estd. L <sub>70</sub> LED Life (hrs)
		Delivered Lumens @ 25°C (lm)	Efficacy (lm/W)	Input Power (W)	Delivered Lumens @ 25°C (lm)	Efficacy (lm/W)	Input Power (W)	
1' x 4'	23R/45L-35K8	1,019	46	22	5,403	110	49	36,000 / 80,000
	23R/45L-40K8	1,019	46	22	5,587	114	49	36,000 / 80,000
	23R/45L-50K8	1,019	46	22	5,810	119	49	36,000 / 80,000
	23R/67L-35K8	1,019	46	22	8,277	115	72	36,000 / 80,000
	23R/67L-40K8	1,019	46	22	8,559	119	72	36,000 / 80,000
	23R/67L-50K8	1,019	46	22	8,901	124	72	36,000 / 80,000
2' x 2'	23RD/45LD-35K8	993	45	22	5,226	107	49	36,000 / 80,000
	23RD/45LD-40K8	993	45	22	5,404	110	49	36,000 / 80,000
	23RD/45LD-50K8	993	45	22	5,620	115	49	36,000 / 80,000
	23RD/67L-35K8	993	45	22	8,005	111	72	36,000 / 80,000
	23RD/67L-40K8	993	45	22	8,278	115	72	36,000 / 80,000
	23RD/67L-50K8	993	45	22	8,609	120	72	36,000 / 80,000
2' x 4'	23RD/67L-35K8	1,108	50	22	8,677	121	72	36,000 / 80,000
	23RD/67L-40K8	1,108	50	22	8,828	123	72	36,000 / 80,000
	23RD/67L-50K8	1,108	50	22	9,181	128	72	36,000 / 80,000
	23RD/90L-35K8	1,108	50	22	10,970	112	98	36,000 / 60,000
	23RD/90L-40K8	1,108	50	22	11,344	116	98	36,000 / 60,000
	23RD/90L-50K8	1,108	50	22	11,798	120	98	36,000 / 60,000
	23RD/135L-35K8	1,108	50	22	15,550	106	147	36,000 / 60,000
	23RD/135L-40K8	1,108	50	22	16,081	109	147	36,000 / 60,000
	23RD/135L-50K8	1,108	50	22	16,724	114	147	36,000 / 60,000

#### Red LED

Size	Lamp Type	Initial Delivered Lumens		Input Power Red (W)	Estd. L <sub>70</sub> LED Life (hrs)
		Red Lamp @ 25°C (lm)	Efficacy - Red (lm/W)		
1' x 4'	23R	1,019	46	22	36,000
2' x 2'	23RD	993	45	22	36,000
2' x 4'	46R	2,215	50	44	36,000

Subject to change without notice. Visit [www.kenall.com](http://www.kenall.com) for .ies files and additional information

#### Red Circuit Spectral Power Distribution (SPD)



Purity: 1.0  
 UV: 0.0000% (<390nm)  
 Radiant Flux < 575nm: 0.000%  
 Bandwidth: 16nm  
 Peak Wavelength: 630nm



[www.kenall.com](http://www.kenall.com) | P: 800-4-Kenall | F: 262-891-9701 | 10200 55th Street Kenosha, Wisconsin 53144, USA

A brand of **legrand**

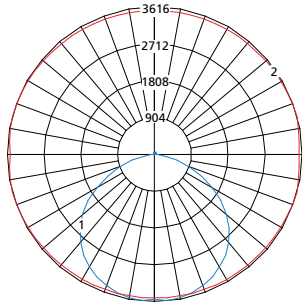
This product complies with the Buy American Act: manufactured in the United States with more than 50% of the component cost of US origin. It may be covered by patents found at [www.kenall.com/patents](http://www.kenall.com/patents). Content of specification sheets is subject to change; please consult [www.kenall.com](http://www.kenall.com) for current product details. ©2022 Kenall Mfg. Co.

# SIMPLESEAL™

## CSEDI SERIES – TECHNICAL DATA

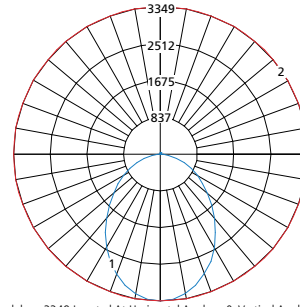
### PERFORMANCE

Model: CSEDI14-23R/67L-40K8-DIM1-120-2F-2H-SYM (White Mode)



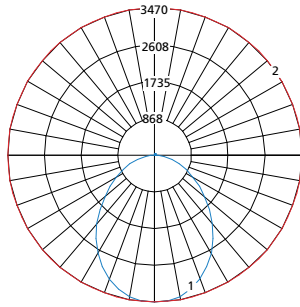
Maximum Candela = 3616 Located At Horizontal Angle = 15, Vertical Angle = 5  
 1 - Vertical Plane Through Horizontal Angles (15-195) (Through Max. Cd.)  
 2 - Horizontal Cone Through Vertical Angle (5) (Through Max. Cd.)

Model: CSEDI22-23RD/67L-40K8-DIM1-120-2F-2H-SYM (White Mode)



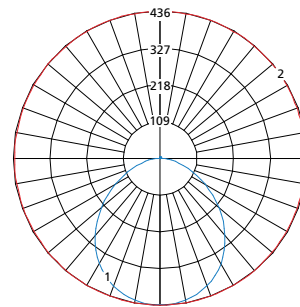
Maximum Candela = 3349 Located At Horizontal Angle = 0, Vertical Angle = 0  
 1 - Vertical Plane Through Horizontal Angles (0-180) (Through Max. Cd.)  
 2 - Horizontal Cone Through Vertical Angle (0) (Through Max. Cd.)

Model: CSEDI24-23RD/67L-40K8-DIM1-120-2F-2H-SYM (White Mode)



Maximum Candela = 3470 Located At Horizontal Angle = 0, Vertical Angle = 0  
 1 - Vertical Plane Through Horizontal Angles (0-180) (Through Max. Cd.)  
 2 - Horizontal Cone Through Vertical Angle (0) (Through Max. Cd.)

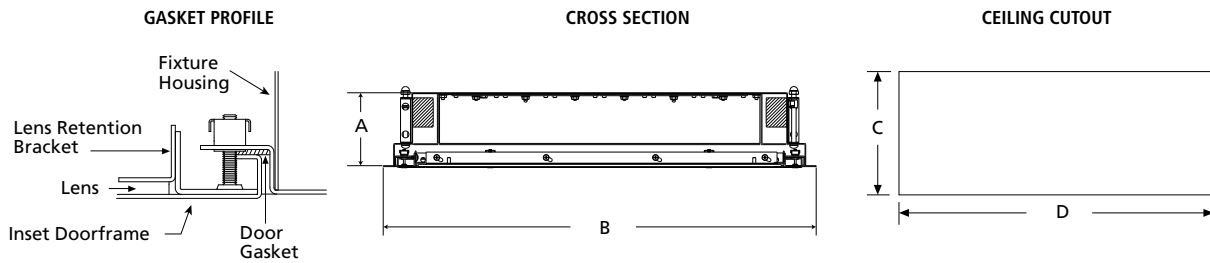
Model: CSEDI24-23RD/67L-40K8-DIM1-120-2F-2H-SYM (Red Mode)\*



Maximum Candela = 436 Located At Horizontal Angle = 75, Vertical Angle = 2.5  
 1 - Vertical Plane Through Horizontal Angles (75-255) (Through Max. Cd.)  
 2 - Horizontal Cone Through Vertical Angle (2.5) (Through Max. Cd.)

\*Luminous intensity of "red" mode is equal across all product sizes

### DIMENSIONAL DATA



#### DIMENSIONAL DATA (IN INCHES)

	A	B	C	D
1x4	4.20	11.75 x 47.75	10.85	46.85
2x2	4.20	23.75 x 23.75	22.85	22.85
2x4	4.20	23.75 x 47.75	22.85	46.85

\* Add .375" to ceiling cut out dimensions when IF Option is specified

\*\* Height is 5.875" with LEL option



www.kenall.com | P: 800-4-Kenall | F: 262-891-9701 | 10200 55th Street Kenosha, Wisconsin 53144, USA

This product complies with the Buy American Act: manufactured in the United States with more than 50% of the component cost of US origin. It may be covered by patents found at www.kenall.com/patents. Content of specification sheets is subject to change; please consult www.kenall.com for current product details. ©2022 Kenall Mfg. Co.

A brand of **Legrand**