

SIMPLESEAL™

Luminaires for Cleanrooms ISO 5-8

CSSGI SERIES – INSET DOOR

PRODUCT FEATURES:

- » Suitable for ISO 5-8 cleanroom spaces
- » Recessed grid installation - 2x2 and 2x4 size options
- » Edge-lit LED light engine for minimal luminaire intrusion into the plenum space (<2.0" depth)
- » Anodized extruded aluminum inset door construction allows for room-side servicing
- » High-output, high-CRI LED lamp sources provide up to 8,600lm output



SPECIFICATIONS

HOUSING: Precision-formed 24-gauge cold rolled steel. White TGIC polyester powder coat finish – 5-step pre-treatment. Salt spray test: 1,000 hours; Reflectance: 92%.

DOORFRAME: Extruded 6063-T5 aluminum construction with clear anodized finish as standard. Optional TGIC polyester powder coat finish in Gloss White. Doorframe serves as integral heat sink to the edge-lit LED light engine. Secured to housing via aircraft cables and flush-mounted Phillips-head fasteners. Closed-cell gasketing secures doorframe to housing and lens to doorframe in IP-rated models.

OPTICS: Edge-lit, laser-etched light guide panel in acrylic with high-efficiency backing reflector. Outer diffuser in acrylic.

ELECTRICAL: Available 3000K, 3500K, 4000K and 5000K color temperatures with maximum 3-step MacAdam variation allowance. Standard min. 80 CRI, optional min 90 CRI. 120-277VAC and 347VAC, 50/60Hz electrical input with serviceable high power factor electronic, constant-current driver (<20% THD, >0.90 PF). Standard 0-10V dimming with 10-100% range without dim-to-dark capabilities; 0.4mA max. source current per luminaire. Optional 0-10V dimming to 1% with dim-to-dark capabilities; 0.2mA max. source current per luminaire. Optional DALI-2 DT6 driver with 1-100% dimming range without dim-to-dark capabilities.

SENSOR & CONTROLS: Optional embedded microwave motion sensor mounted behind light guide panel. Remote adjustment for dim level, timeout period and sensor sensitivity settings. Factory default is 30% dimming and 20min. timeout. Sensor operates at 5.8 GHz (continuous-wave radar) and provides 360° coverage at various mounting heights and coverage areas. To see the full list of third-party compatible controls, [click here](#).

INSTALLATION: Suitable for Type-IC recessed ceiling installation into 9/16" and 15/16" lay-in grid ceilings. Wire access panel on rear of housing allows wire connections without door removal. Wire access panel is gasketed when ordered with IP66 option. See Accessories for adapter kit for drywall ceiling installation. Suitable for -20°C to 40°C ambient environments, unless otherwise noted.

PHOTOMETRICS: Photometry tested to the IESNA LM-79-08 standard. For additional photometric data, please go to www.kenall.com

WARRANTY: Limited five (5) year LED warranty.

LISTINGS: Luminaire is certified to UL standards by Intertek Testing Laboratories for Indoor Wet Locations. Optional IP66 rating. NSF2 Splash/Non-Food Zone. CCEA Approved. Suitable for ISO5-8 cleanroom environments.



ORDERING INFORMATION (Ex: CSSGI-24-46L-35K8-DIM10-DV-AF-4H-IP66)

Model	Size	Ceiling Type	Lamp Power	Lamp Color	Driver	Voltage	Doorframe	Housing	Options	Accessories
CSSGI		G						4H		
Size	22 2'x2' 24 2'x4'		Lamp Power 20L [^] 20 Watt LED 24L 24 Watt LED 27L 27 Watt LED 33L 33 Watt LED 36L 36 Watt LED 2'x4' 26L 26 Watt LED 46L 46 Watt LED 54L 54 Watt LED 65L 65 Watt LED		Driver Type DIM10 [^] 0-10V Dimming to 10% (STD) DIM1 0-10V Dimming to 1% with Dim-to-Dark Capabilities DALI [^] DALI Dimming to 1%		Voltage DV 120-277VAC, 50/60Hz 347 347VAC		Options LEL [^] Integral 10W Emergency Battery Backup with sealed test switch/indicator mounted at outer diffuser surface (0°C min. ambient) 20KV 20KV/KVA Surge Protection per IEEE/ANSI C62.41.2 Cat. A AMF [^] Antimicrobial Finish FS Fuse & Holder MS [^] Embedded Motion Sensor TH 1/2" Trade Size Threaded Sealed Hub IP66 IP66 Rating per IEC60598 BA Buy American Act Compliance	
Ceiling Type	G Grid Ceiling		Lamp Color 30K8 3000K / 80 CRI min. 35K8 3500K / 80 CRI min. 35K9 3500K / 90 CRI min. 40K8 4000K / 80 CRI min. 40K9 4000K / 90 CRI min. 50K8 5000K / 80 CRI min.		Doorframe Options AF Anodized Aluminum (STD) PAF Painted Aluminum in Gloss White		Housing Options 4H 24-Ga CRS in Gloss White (STD)		Accessories FA Flange Adapter Kit	

[^] n/a with 347V input
[▲] Applied only to exposed painted surfaces of luminaire (requires PAF doorframe option)



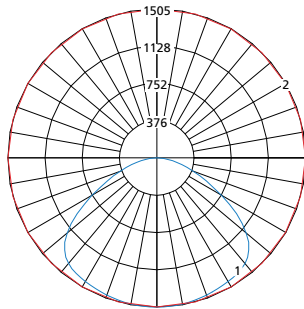
CSSGI SERIES – TECHNICAL DATA

PERFORMANCE

Size	Lamp Power	Initial Delivered Lumens, By Lamp Color (lm)						Efficacy (lm/W)	Input Power (W)	TM-21 Reported L70 (hrs)
		30K8	35K8	35K9	40K8	40K9	50K8			
2' x 2'	20L	2,561	2,587	2,197	2,678	2,262	2,704	97 - 119	23	>72,000
	24L	3,197	3,230	2,743	3,343	2,824	3,376	102 - 126	27	
	27L	3,421	3,456	2,935	3,577	3,021	3,612	102 - 126	29	
	33L	4,023	4,064	3,451	4,207	3,553	4,247	100 - 124	34	
	36L	4,486	4,531	3,848	4,691	3,962	4,736	102 - 125	38	
2' x 4'	26L	3,564	3,600	3,058	3,727	3,148	3,763	107 - 131	29	>72,000
	38L	5,320	5,374	4,564	5,563	4,699	5,617	107 - 132	43	
	46L	6,243	6,306	5,355	6,528	5,514	6,591	106 - 131	50	
	54L	6,725	6,794	5,769	7,033	5,940	7,101	101 - 124	57	
	65L	8,182	8,265	7,019	8,556	7,227	8,639	101 - 125	69	

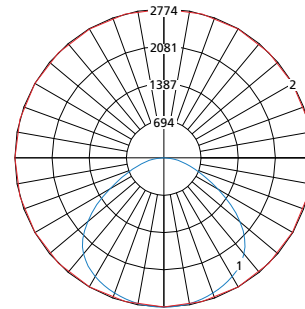
NOTE: Information subject to change without notice. All testing conducted by an ILAC/ISO17025 accredited laboratory. Please visit www.kenall.com for IES files and additional information.

Model: CSSGI-22-G-36L-40K8-uu-vv-ww-4H-yy-zz



Maximum Candela = 1505 Located At Horizontal Angle = 75, Vertical Angle = 2.5
 1 - Vertical Plane Through Horizontal Angles (75-255) (Through Max. Cd.)
 2 - Horizontal Cone Through Vertical Angle (2.5) (Through Max. Cd.)

Model: CSSGI-24-G-65L-40K8-uu-vv-ww-4H-yy-zz



Maximum Candela = 2774 Located At Horizontal Angle = 15, Vertical Angle = 2.5
 1 - Vertical Plane Through Horizontal Angles (15-195) (Through Max. Cd.)
 2 - Horizontal Cone Through Vertical Angle (2.5) (Through Max. Cd.)

DIMENSIONAL DATA

