

LUXTRAN™

DLD1220 SERIES

PRODUCT FEATURES:

- » Marine-grade aluminum housing construction
- » Stainless steel latches for tool-less access to electrical compartment
- » Mounting arms allow angular adjustment for precise aiming of optical distribution



PROJECT INFORMATION

Job Name _____

Fixture Type _____

Catalog Number _____

Approved by _____

SPECIFICATIONS:

HOUSING/DOOR: Marine-grade, die-cast aluminum construction. Light grey TGIC polyester powder coat finish with five-step pre-treatment to withstand 1,000 hour salt spray test per ASTM B117. Stainless steel safety cables attach to chassis. Four (4) rotary latches constructed of 304 grade stainless steel.

GASKETING: One-piece closed-cell silicone.

OPTICAL: Type II, Type V-Narrow Round and Type V Square optical distributions. 0.187" clear tempered glass or polycarbonate tertiary lens.

ELECTRICAL: Serviceable LED module array. See Ordering Information for available color temperatures and minimum CRI offering. Maximum 5-step MacAdam variation allowance. Constant-current dimming driver. <20%THD, >0.90PF. **DV Voltage Type:** 120-277VAC, 50/60Hz input. 0-10V dimming protocol with 3-100% range and dim-to-dark capabilities, 250µA source current. Optional DALI control with 1-100% capability. EMC compliant with FCC 47 CFR Part 15, Class A. **CV Voltage Type:** 277-480VAC, 50/60Hz input. 0-10V dimming protocol with 6-100% range with dim-to-dark capabilities at 0V. 100µA typ. source current. EMC compliant with FCC 47 CFR Part 15, Class B. **All:** Replaceable surge suppressor rated to 20kA/kV per IEEE/ANSI C62.41 Cat. A. Passes IEC 61000-4-4 EFT and IEC 61000-4-5 (Class 4) surge evaluation.

OPTIONAL CONTROLS: Optional control module available with compatible third party controls. To see the full list of compatible controls, [click here](#).

INSTALLATION: Wall or ceiling orientation. Mounting hardware provided by others. Conduit entry on side of luminaire through 3/4" NPT threaded hole. Optional non-threaded entry for 3/4" conduit at back of luminaire housing. Optional ANSI photocell receptacle requires attached device (by others) at time of installation for proper ingress-protection. Suitable for installation into -40°C to 40°C ambient temperatures.

PHOTOMETRICS: Photometry tested to the IESNA LM-79-08 standard by an ILAC/ISO17025 accredited laboratory. For photometric data, please go to www.kenall.com

WARRANTY: Limited five (5) year warranty.

LISTINGS: Luminaire is certified to UL Standards by Intertek Testing Laboratory for Wet Location. IP66 rating per IEC 60598. Luminaire is 3G vibration tested per ANSI C136.31.



ORDERING INFORMATION (Ex: DLD1220-MB6-2-8-47L-30K8-DCC-DV)

| Model | Mounting Arm | Distribution | Lens Type | Lamp Power | Lamp Color | Driver Type | Voltage | Options |
|----------------|-------------------------------------------------------------------------------|--------------|-----------|------------|---------------------------------|-------------|-------------------------------------|----------------------------------------------------------------------------------------------------------------------------------|
| DLD1220 | | | | | | | | |
| | Mounting Arm Length | | | | Lamp Color | | Voltage | |
| | MB6 Mounting Brackets for 6" Nominal Overall Depth (10° Adjustable) | | | | 30K8 3000K / 80 CRI min. | | DV 120-277 VAC Nominal Range | |
| | MB12 Mounting Brackets for 12" Nominal Overall Depth (180° Adjustable) | | | | 35K8 3500K / 80 CRI min. | | CV 277-480 VAC Nominal Range | |
| | | | | | 40K7 4000K / 70 CRI min. | | | Options |
| | | | | | 50K7 5000K / 70 CRI min. | | | LEL 7.5W Integrated Emergency Battery Backup (0°C min ambient; n/a CV input selection) |
| | Distribution Type | | | | Driver Type | | | CC 3/4" Conduit Connection |
| | 2 Type II | | | | DCC 0-10V Dimming | | | FS1 Single Fuse and Holder (600V, Dual Element/Time-Delay Standard) |
| | 5C Type V – Narrow Round | | | | DALI* DALI Dimming | | | FS2 Double Fuse and Holder (600V, Dual Element/Time-Delay Standard) |
| | 5S Type V – Square | | | | | | | RPCD ANSI 7-PIN Receptacle (n/a with MB6 Mounting) |
| | Lens Type | | | | | | | TB Wire Terminal Block |
| | 8 .188" (.48 cm) Tempered Glass Lens | | | | | | | LPCM NYX Hemera Local Programmable Control Module (for Power Line Control; click here for specifications) |
| | 7 .187" (.47 cm) Clear Polycarbonate | | | | | | | |
| | Lamp Power | | | | | | | |
| | 47L 47 Watt LED | | | | | | | |
| | 72L 72 Watt LED | | | | | | | |
| | 94L 94 Watt LED | | | | | | | |

* n/a with CV Input Voltage and 94L Lamp Power



www.kenall.com | P: 800-4-Kenall | F: 262-891-9701 | 10200 55th Street Kenosha, Wisconsin 53144, USA

A brand of Legrand

This product complies with the Buy American Act: manufactured in the United States with more than 50% of the component cost of US origin. It may be covered by patents found at www.kenall.com/patents. Content of specification sheets is subject to change; please consult www.kenall.com for current product details. ©2022 Kenall Mfg. Co.

DLD1220-102622

LUXTRAN™

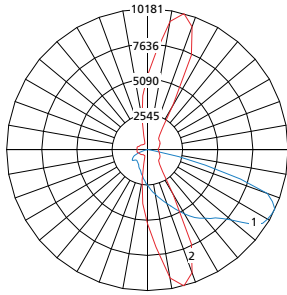
DLD1220 SERIES

PERFORMANCE

| Lamp Code | Initial Delivered Flux (lm) | | | Efficacy (lm/W) | Input Power (W) | Estd. L70 LED Life (hrs) | Lumen Maintenance @ 50k Hrs |
|-----------|-----------------------------|---------|---------|-----------------|-----------------|--------------------------|-----------------------------|
| | Type 2 | Type 5C | Type 5S | | | | |
| 47L-30K8 | 6,144 | 6,240 | 5,969 | 113 - 118 | 53 | 200,000 | 96% |
| 47L-35K8 | 6,541 | 6,644 | 6,355 | 121 - 126 | 53 | 200,000 | 96% |
| 47L-40K7 | 7,249 | 7,362 | 7,043 | 134 - 140 | 53 | 200,000 | 96% |
| 47L-50K7 | 7,425 | 7,542 | 7,214 | 137 - 143 | 53 | 200,000 | 96% |
| 72L-30K8 | 8,738 | 8,906 | 8,532 | 108 - 113 | 79 | 175,000 | 92% |
| 72L-35K8 | 9,304 | 9,483 | 9,084 | 115 - 121 | 79 | 175,000 | 92% |
| 72L-40K7 | 10,310 | 10,508 | 10,066 | 128 - 134 | 79 | 175,000 | 92% |
| 72L-50K7 | 10,561 | 10,765 | 10,312 | 131 - 137 | 79 | 175,000 | 92% |
| 94L-30K8 | 10,987 | 11,281 | 10,776 | 103 - 107 | 105 | 150,000 | 85% |
| 94L-35K8 | 11,698 | 12,011 | 11,474 | 109 - 114 | 105 | 150,000 | 85% |
| 94L-40K7 | 12,963 | 13,310 | 12,714 | 121 - 127 | 105 | 150,000 | 85% |
| 94L-50K7 | 13,279 | 13,634 | 13,024 | 124 - 130 | 105 | 150,000 | 85% |

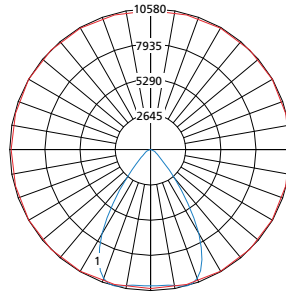
Information above was tested with an outer tempered glass lens. Subject to change without notice. Visit www.kenall.com for IES files and additional information.

Model: DLD1220-XXX-2-8-94L-40K7-DCC-DV



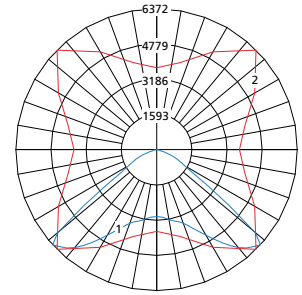
Max Candela = 10181 Located At Horizontal Angle = 75, Vertical Angle = 65
 1 - Vertical Plane Through Horizontal Angles (75-255) (Through Max. Cd.)
 2 - Horizontal Cone Through Vertical Angle (65) (Through Max. Cd.)

Model: DLD1220-XXX-5C-8-94L-40K7-DCC-DV



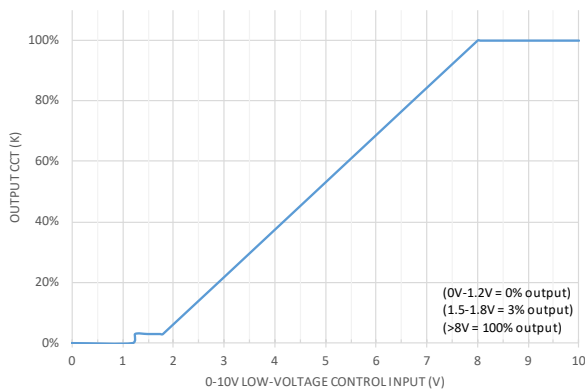
Max Candela = 10580 Located At Horizontal Angle = 45, Vertical Angle = 15
 1 - Vertical Plane Through Horizontal Angles (45-225) (Through Max. Cd.)
 2 - Horizontal Cone Through Vertical Angle (15) (Through Max. Cd.)

Model: DLD1220-XXX-5S-8-94L-40K7-DCC-DV

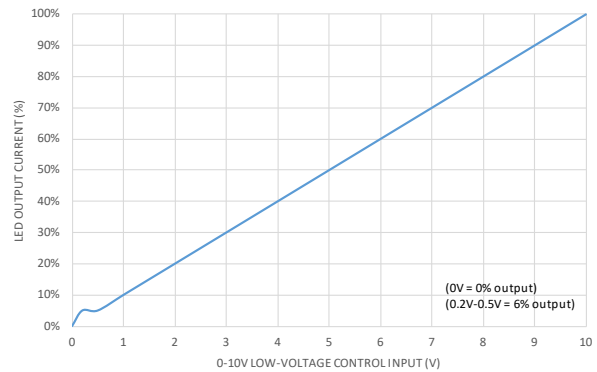


Max Candela = 6372 Located At Horizontal Angle = 45, Vertical Angle = 47.5
 1 - Vertical Plane Through Horizontal Angles (45-225) (Through Max. Cd.)
 2 - Horizontal Cone Through Vertical Angle (47.5) (Through Max. Cd.)

DIMMING PROFILE (DV VOLTAGE)



DIMMING PROFILE (CV VOLTAGE)



NOTE: 10V required from control system for 100% light output.



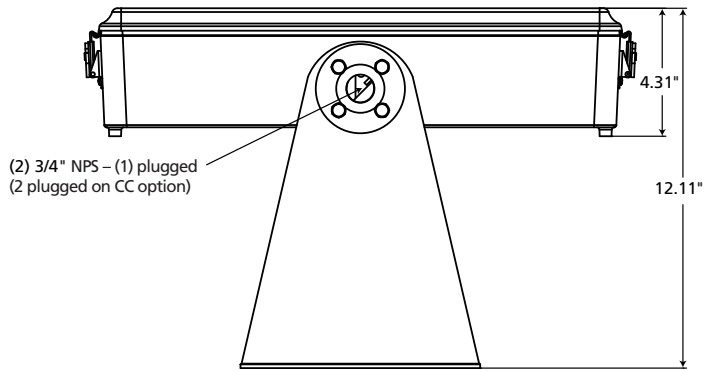
www.kenall.com | P: 800-4-Kenall | F: 262-891-9701 | 10200 55th Street Kenosha, Wisconsin 53144, USA

A brand of **legrand**

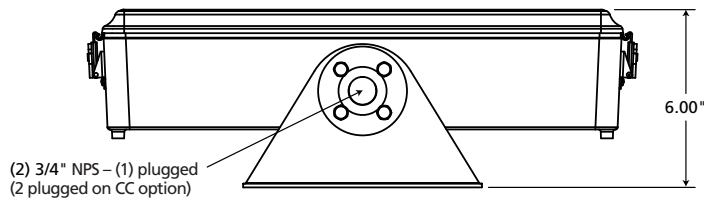
This product complies with the Buy American Act: manufactured in the United States with more than 50% of the component cost of US origin. It may be covered by patents found at www.kenall.com/patents. Content of specification sheets is subject to change; please consult www.kenall.com for current product details. ©2022 Kenall Mfg. Co.

LUXTRAN™
DLD1220 SERIES
 DIMENSIONAL DATA

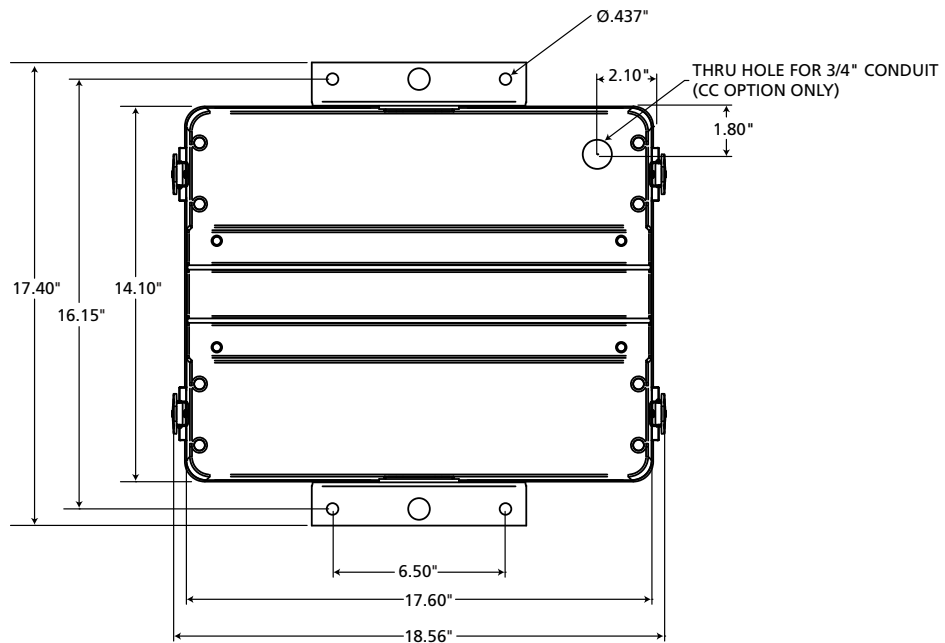
MB12 MOUNTING ARM



MB6 MOUNTING ARM



TOP VIEW



www.kenall.com | P: 800-4-Kenall | F: 262-891-9701 | 10200 55th Street Kenosha, Wisconsin 53144, USA

A brand of **legrand**

This product complies with the Buy American Act: manufactured in the United States with more than 50% of the component cost of US origin. It may be covered by patents found at www.kenall.com/patents. Content of specification sheets is subject to change; please consult www.kenall.com for current product details. ©2022 Kenall Mfg. Co.