

# LUXTRAN™

## DLD1622 SERIES



### PRODUCT FEATURES:

- » Surface ceiling mount – 16" x 22"
- Housing features mounting brackets that allow 90° adjustment from either direction
- » Stainless steel latches allow for tool-less access to electrical compartment

### PROJECT INFORMATION

Job Name \_\_\_\_\_

Fixture Type \_\_\_\_\_

Catalog Number \_\_\_\_\_

Approved by \_\_\_\_\_

### SPECIFICATIONS:

**HOUSING:** One-piece, seam welded .063" 3003 aluminum alloy construction. Light grey TGIC polyester powder coat finish – 5-step pre-treatment. Salt spray test: 1,000 hours.

**REFLECTOR:** 18-gauge CRS. White TGI polyester powder coat – 5 stage pre-treatment salt spray test 1,000 hours. Reflectance: 92%.

**LENS:** .156" clear tempered glass. Lens silicone caulk sealed to doorframe and secured with continuous lens retention angles.

**DOORFRAME:** One-piece, .063" 3003 aluminum alloy construction. Doorframe supported to housing with aircraft cables. Doorframe sealed to housing with silicone gasketing.

**MOUNTING BRACKETS:** One die-formed 5052 aluminum alloy mounting brackets – .125". Mounting bracket allows 90° adjustment in either direction from horizontal. Positive position-ing accomplished by eight (4 per side) 1/4" .20 stainless steel hex head bolts secured in end cap plates.

**HARDWARE:** Four stainless steel latches secure doorframe to housing.

**ELECTRICAL:** Serviceable LED array in 4000K, 5000K, 5700K color temperatures with maximum 5-step MacAdam variation allowance. Minimum 70 CRI. 120-277 or 277-480 VAC (nominal) range high power factor, constant current driver. 10-100% dimming with compatible 0-10V current-sink dimmer.

**OPTIONAL CONTROLS:** Optional control module available with compatible third party controls. To see the full list of compatible controls, [click here](#).

**INSTALLATION:** Mounting bracket flanges contain two .437" diameter mounting holes. Housing provided with threaded entrances to accept standard 1/2" conduit fittings.

**PHOTOMETRICS:** Photometry tested to the IESNA LM-79-08 standard by an ILAC/ISO17025 accredited laboratory. For additional photometric information, go to [www.kenall.com](http://www.kenall.com).

**WARRANTY:** Limited five (5) year LED warranty.

**LISTINGS:** UL and CUL Listed for Wet Location. Suitable for installation into -20°C to 40°C ambient environments.



### ORDERING INFORMATION (Ex: DLD1622-1-216L50K-DCC-DV-FS)

Model	Lamp Qty/Type	Driver Type	Voltage	Options
<b>DLD1622</b>		<b>DCC</b>		
	<b>Lamp Type</b> <b>1-216L40K</b> 216 Watt 4000K LED <b>1-216L50K</b> 216 Watt 5000K LED <b>1-216L57K</b> 216 Watt 5700K LED		<b>Voltage</b> <b>DV</b> 120-277 VAC Nominal Range <b>CV</b> 277-480 VAC Nominal Range	
	<b>Driver</b> <b>DCC</b> Dimming Constant Current LED Driver		<b>Options</b> <b>FS1</b> Single Fuse and Holder (600V, Dual Element/Time-Delay Standard) <b>FS2</b> Double Fuse and Holder (600V, Dual Element/Time-Delay Standard) <b>10KV</b> 10KV/KA surge protector per IEEE/ANSIC62.41 Cat. A. <b>LPCM</b> NYX Hemera Local Programmable Control Module (for Power Line Control; click <a href="#">here</a> for specifications)	



www.kenall.com | P: 800-4-Kenall | F: 262-891-9701 | 10200 55th Street Kenosha, Wisconsin 53144, USA

A brand of **Legrand**

This product complies with the Buy American Act: manufactured in the United States with more than 50% of the component cost of US origin. It may be covered by patents found at [www.kenall.com/patents](http://www.kenall.com/patents). Content of specification sheets is subject to change; please consult [www.kenall.com](http://www.kenall.com) for current product details. ©2022 Kenall Mfg. Co.

DLD1622-102622

# LUXTRAN™

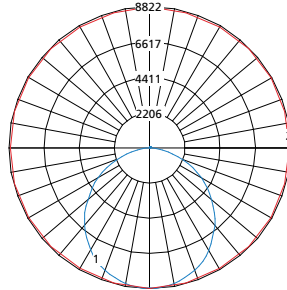
## DLD1622 SERIES

### PERFORMANCE

Lamp Type	Initial Delivered Lumens		Input Power (W)	Drive Current (mA)	Estd. L70 LED Life (Hrs)
	@ 25°C	Efficacy (lm/W)			
216L40K	23,964	109	219	700	100,000
216L50K	25,535	117	219	700	100,000
216L57K	27,303	125	219	700	100,000

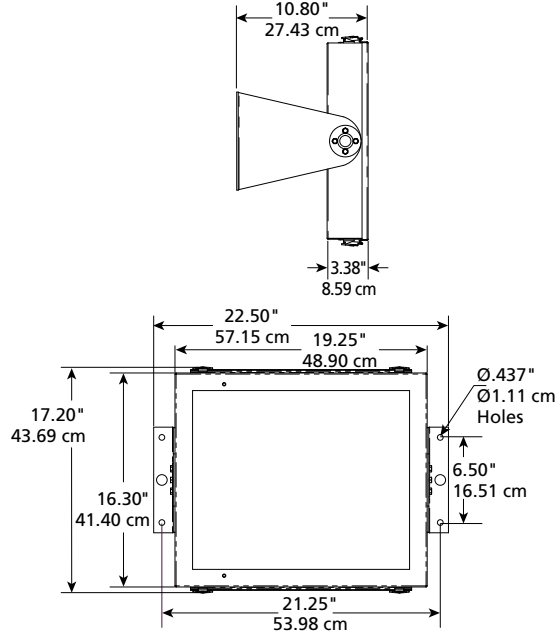
Displayed information above is for selected luminaires only. Info subject to change. Visit [www.kenall.com](http://www.kenall.com) for IES files and additional information.

Model: DLD1622-216L40K-DCC-DV



Max Candela = 8822 Located At Horizontal Angle = 90, Vertical Angle = 2.5  
 — 1 - Vertical Plane Through Horizontal Angles (90-270) (Through Max. Cd.)  
 — 2 - Horizontal Cone Through Vertical Angle (2.5) (Through Max. Cd.)

### DIMENSIONAL DATA



[www.kenall.com](http://www.kenall.com) | P: 800-4-Kenall | F: 262-891-9701 | 10200 55th Street Kenosha, Wisconsin 53144, USA

A brand of **Legrand**

This product complies with the Buy American Act: manufactured in the United States with more than 50% of the component cost of US origin. It may be covered by patents found at [www.kenall.com/patents](http://www.kenall.com/patents). Content of specification sheets is subject to change; please consult [www.kenall.com](http://www.kenall.com) for current product details. ©2022 Kenall Mfg. Co.