

LUXTRAN™

DLL96 SERIES

PRODUCT FEATURES:

- » Surface ceiling mount – 9" x 96" (22.86 cm x 244 cm)
- » Stainless steel construction for corrosion resistance
- » Drop dish clear polycarbonate lens



PROJECT INFORMATION

Job Name _____

Fixture Type _____

Catalog Number _____

Approved by _____

SPECIFICATIONS:

HOUSING: 18-gauge, one-piece seam welded type 304 stainless steel construction. Brushed finish.

REFLECTOR: 20-gauge CRS. White TGIC polyester powder coat – 5-stage pre-treatment. Salt spray test: 1,000 hours; Reflectance: 92%.

LENS: Thermal formed 0.125" (.32 cm) polycarbonate clear lens. Lens silicone sealed to doorframe and secured with continuous lens retention angles.

DOORFRAME: 18-gauge brushed stainless steel. Continuous stainless steel piano hinge.

ELECTRICAL: Electronic ballast <10% THD standard. See Ordering Information for multiple ballasts and optional equipment. Lamps by others.

FASTENERS: Torx® Head stainless steel fasteners standard. See Options for stainless steel center-pin reject Allen Head (AH) or Phillips Head (PH) fasteners.

INSTALLATION: For housing without wiring and mounting holes, see Field Drilled Installation Holes Option (FDIH).

WARRANTY: Limited one (1) year Kenall fluorescent warranty.

LISTINGS: UL and CUL listed for Wet Location.

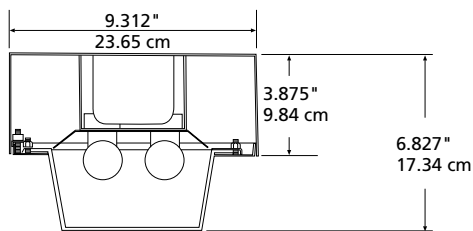


ORDERING INFORMATION (Ex: DLL9-96-1-86-IS-1-120)

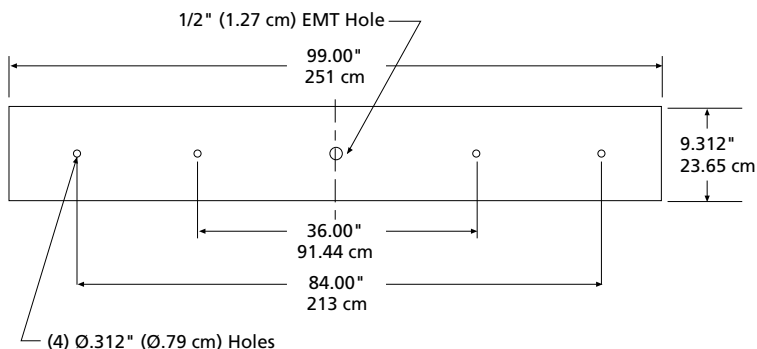
Model	Length	Lamp Quantity	Lamp Type	Ballast Type	Ballast Quantity	Voltage	Options
DLL9	96						
	Nominal Length	Lamp Quantity		Ballast Type		Voltage	
	96 8' (244 cm)	1 One Lamp 2 Two Lamps		IS Instant Start Electronic <10% THD (STD) RS Rapid Start Electronic <10% THD SB Specified Ballast		120 120 Volts 277 277 Volts	
		Lamp Type		Ballast Quantity			Options
		86 F96T8HO		1 One 2 Two			EL Standard Lumen EL Pack PEL High Lumen EL Pack SEL Specified EL Pack AH Allen Head with center pin fasteners FDIH Field Drilled Installation Holes FS Single Fuse & Holder PH Phillips Head fasteners PSS Painted Stainless Steel Housing SSIN Stainless Steel Interior

DIMENSIONAL DATA

CROSS SECTION



MOUNTING HOLES



www.kenall.com | P: 800-4-Kenall | F: 262-891-9701 | 10200 55th Street Kenosha, Wisconsin 53144, USA

A brand of **legrand**

This product complies with the Buy American Act: manufactured in the United States with more than 50% of the component cost of US origin. It may be covered by patents found at www.kenall.com/patents. Content of specification sheets is subject to change; please consult www.kenall.com for current product details. ©2019 Kenall Mfg. Co.