

EDUCATIONAL TROFFER

Luminaire for General Education Applications

EGT SERIES

PROJECT INFORMATION

Job Name _____

Fixture Type _____

Catalog Number _____

Approved by _____

PRODUCT FEATURES:

- » Low profile 2' x 2' and 2' x 4' recessed luminaire with grid and flange mounting options
- » High-output, high-CRI LED lamp options
- » Sleek, curve style acrylic diffuser provides even illumination
- » NSF2 rating for ease of wipe-down cleaning



SPECIFICATIONS

HOUSING: Die-formed 24-gauge steel construction. Low-gloss white TGIC powder coat finish with five-stage pre-treatment.

OPTIC: Snap-in, one-piece extruded frost DR acrylic diffuser.

LED MODULE: Serviceable mid-power LED array. Minimum 82 CRI standard (R9 >20). See Ordering Information for available color temperature options. Maximum 3-step MacAdam variation allowance.

LED DRIVER: 120-277VAC or 347VAC, 50/60Hz electrical input with serviceable constant-current driver (<10% THD, >0.90PF). Minimum 85% driver efficiency. Standard 0-10V dimming with 1-100% range and dim-to-dark capabilities (non dim-to-dark with 347V); maximum 165 µA source current.

SENSOR & CONTROLS: Optional sensor available with compatible third party controls. To see the full list of compatible controls, [click here](#).

INSTALLATION: Suitable for Type-IC recessed ceiling installation into 9/16", 15/16" and slot-T lay-in grid ceilings and flanged drywall ceilings with included flange adapter kit. See Ordering Information for selection. Removable wiring access plate with (2) 7/8" Dia knockouts. Suitable for 0°C to 25°C ambient temperature environments.

PHOTOMETRICS: Photometry tested to the IESNA LM-79-08 standard by an ILAC/ISO17025 accredited laboratory. For additional photometric data, please go to www.kenall.com.

WARRANTY: Limited five (5) year warranty.

LISTINGS: Luminaire is certified to UL Standards by Intertek Testing Laboratory for Damp Location and IC installations. NSF2 Splash/Non-Food Zone. RoHS compliant.



ORDERING INFORMATION (Ex: EGT24-G-FA-45L-30K8-DIM1-DV-FS)

Model	Mounting	Lens Type	Lamp Type	Lamp Color	Driver Type	Voltage	Options
		FA		DIM1			
Model		Lamp Power		Lamp Color		Voltage	
EGT22 2'x2'		2x2		30K8 3000K / 82CRI		DV 120-277 VAC, 50/60Hz	
EGT24 2'x4'		25L 25 Watt LED		35K8 3500K / 82CRI		347 347 Volts	
		35L 35 Watt LED		35K9 3500K / 90CRI			
				40K8 4000K / 82CRI			
				40K9 4000K / 90CRI			
Mounting Options		2x4		Driver Type		Options	
G Grid (1")		45L 45 Watt LED		DIM1 0-10V Dimming to 1%		F5 Fuse & Holder	
F Flange		67L 67 Watt LED					
Lens Type							
FA Frost DR Acrylic							



www.kenall.com | P: 800-4-Kenall | F: 262-891-9701 | 10200 55th Street Kenosha, Wisconsin 53144, USA

This product complies with the Buy American Act: manufactured in the United States with more than 50% of the component cost of US origin. It may be covered by patents found at www.kenall.com/patents. Content of specification sheets is subject to change; please consult www.kenall.com for current product details. ©2022 Kenall Mfg. Co.

A brand of **legrand**

EDUCATIONAL TROFFER

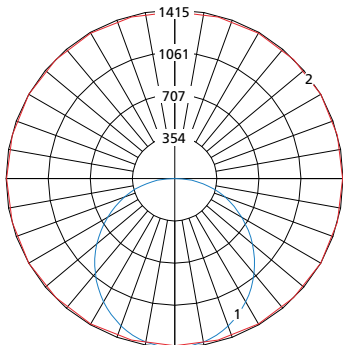
EGT SERIES

PERFORMANCE

Size	Lamp Code	Lumen Output by Color (lm)					Efficacy (lm/W)	Input Power (W)	Estd. L ₇₀ LED Life (Hrs)
		30K8	35K8	35K9	40K8	40K9			
2 x 2	25L	3,033	3,127	2,789	3,234	2,996	97 - 112	29	80,000
	35L	4,169	4,298	3,833	4,444	4,117	104 - 120	37	
2 x 4	45L	5,399	5,566	4,964	5,756	5,332	106 - 123	47	80,000
	67L	8,407	8,667	7,729	8,962	8,302	110 - 128	70	

Information subject to change without notice. Visit www.kenall.com for IES files and additional information.

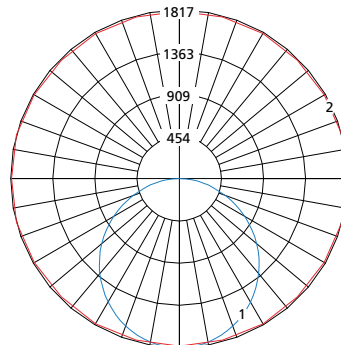
Model: EGT22-FA-35L-40K8-DIM1



Maximum Candela = 1415 Located At Horizontal Angle = 30, Vertical Angle = 2.5

- 1 - Vertical Plane Through Horizontal Angles (30-210) (Through Max. Cd.)
- 2 - Horizontal Cone Through Vertical Angle (2.5) (Through Max. Cd.)

Model: EGT24-FA-45L-40K8-DIM1

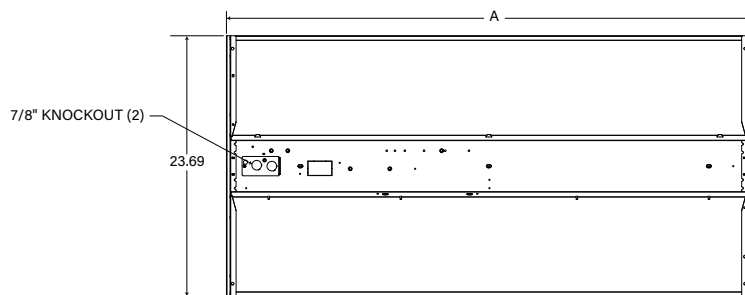


Maximum Candela = 1817 Located At Horizontal Angle = 15, Vertical Angle = 2.5

- 1 - Vertical Plane Through Horizontal Angles (15-195) (Through Max. Cd.)
- 2 - Horizontal Cone Through Vertical Angle (2.5) (Through Max. Cd.)

DIMENSIONAL DATA

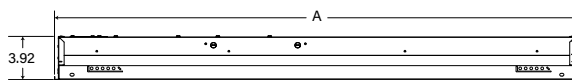
TOP VIEW



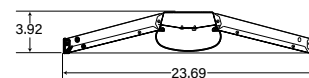
DIMENSIONAL DATA (IN INCHES)

	A
EGT22	23.69"
Recommended ceiling cutout for 2x2 Flange Frame Kit is 24.50" x 24.50"	
EGT24	47.69"
Recommended ceiling cutout for 2x4 Flange Frame Kit is 48.50" x 24.50"	

SIDE VIEW



FRONT VIEW



www.kenall.com | P: 800-4-Kenall | F: 262-891-9701 | 10200 55th Street Kenosha, Wisconsin 53144, USA

This product complies with the Buy American Act: manufactured in the United States with more than 50% of the component cost of US origin. It may be covered by patents found at www.kenall.com/patents. Content of specification sheets is subject to change; please consult www.kenall.com for current product details. ©2022 Kenall Mfg. Co.

A brand of **legrand**