

EPLB SERIES – LOW BAY

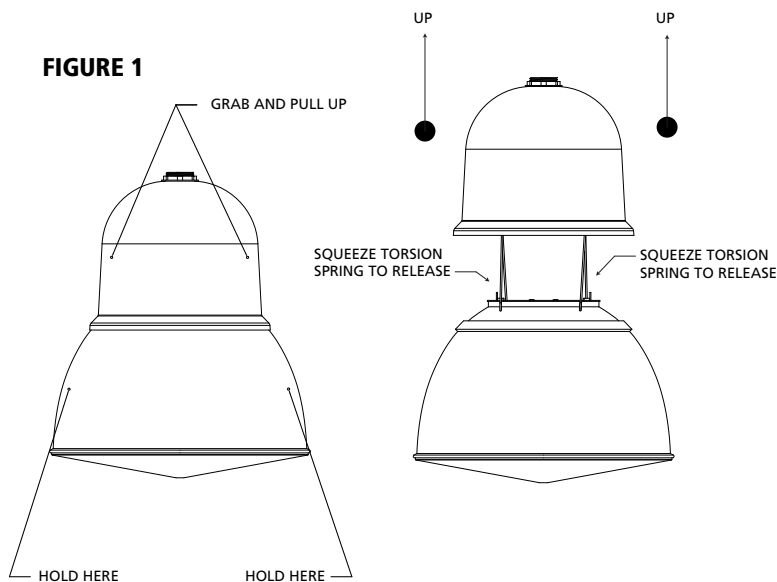
IMPORTANT SAFEGUARDS

When using electrical equipment, basic safety precautions should always be followed, including the following:

THIS PRODUCT MUST BE INSTALLED IN ACCORDANCE WITH THE APPLICABLE INSTALLATION CODE BY A PERSON FAMILIAR WITH THE CONSTRUCTION AND OPERATION OF THE PRODUCT AND THE HAZARDS INVOLVED. DISCONNECT POWER TO ALL CIRCUITS BEFORE WIRING FIXTURE. INSTALL IN ACCORDANCE WITH ALL NATIONAL, STATE, AND LOCAL CODES. DO NOT CONNECT TO AN UNGROUNDED SUPPLY. READ ALL FIXTURE MARKINGS AND LABELS TO ENSURE CORRECT INSTALLATION OF FIXTURE. SUPPLEMENTAL INSTRUCTIONS MAY BE LOCATED ON THE FIXTURE, IN ADDITION TO THIS INSTRUCTION SHEET, REGARDING ORIENTATION, OR MOUNTING RESTRICTIONS.

SAVE THESE INSTRUCTIONS

REFRACTOR/ REFLECTOR REMOVAL



SAFETY RECOMMENDATION

A 1/16" diameter aircraft cable (not included) is recommended for attaching the fixture structural to the upper structural. See figure 2.

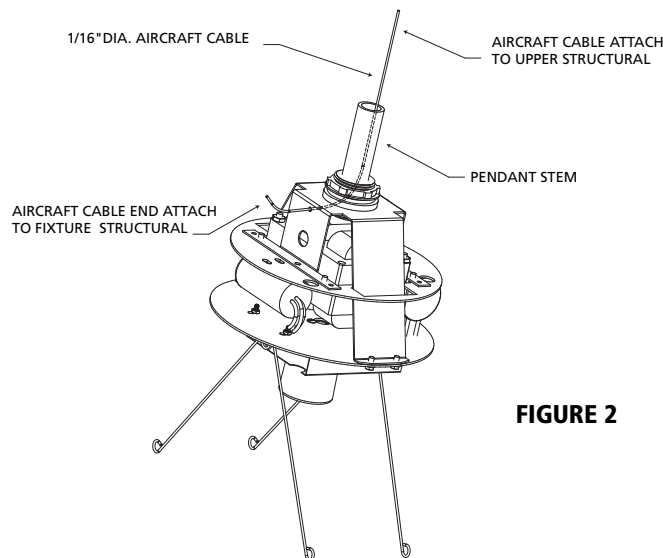
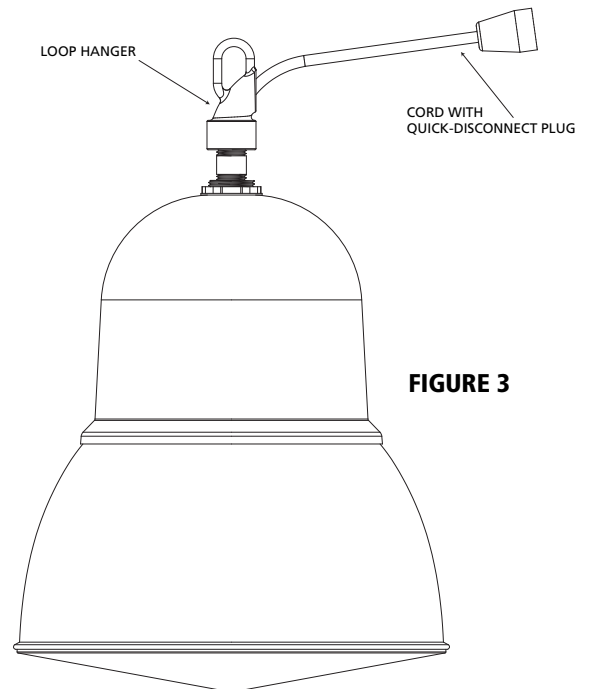


FIGURE 2



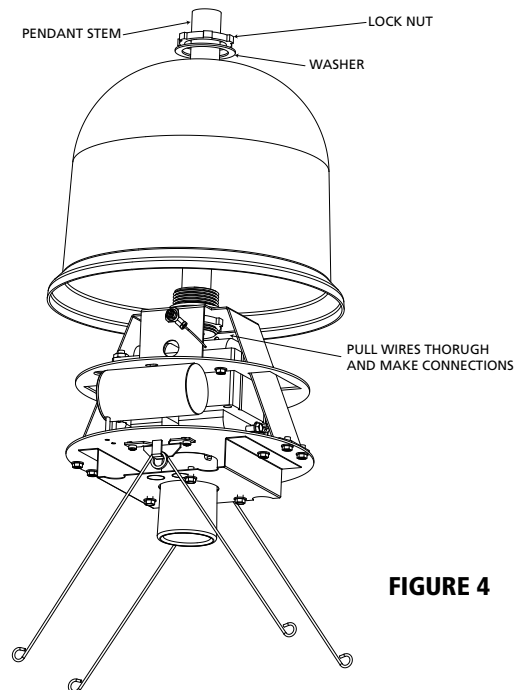
LOOP HANGER INSTALLATION – HL (FIGURE 3)

1. Remove refractor/ reflector per Figure 1.
2. Disconnect cord from luminaire.
3. Wire cord leads to power supply leads using connectors suitable for the gauge and number of wires being used. Black fixture lead connects to the supply conductor, white fixture lead connects to the neutral supply conductor, and the grounding wire must be connected to a suitable ground.
4. Hang luminaire by attaching to user supplied chain or cables.
5. Install lamp(s) if applicable
6. Re-install refractor/ reflector.
7. Connect power cord.
8. As a safety recommendation, an additional 1/16" diameter aircraft cable (not included) should be used to attach the loop hanger and supporting structure.



PENDANT MOUNT INSTALLATION – (EXCEPT 320M-400M) PM (FIGURE 4)

1. Remove refractor/ reflector per Figure 1.
2. Connect threaded hub for 1/2" diameter rigid pendant (12" size) or 3/4" diameter rigid pendant (16"/22" size). Pendant components by others.
3. Undo lock nut and slide housing/ cover up.
4. Install safety aircraft cable per Figure 2.
5. Pull wires into the luminaire.
6. Wire luminaire leads to power supply leads using connectors suitable for the gauge and number of wires being used. Black fixture lead connects to the supply conductor, white fixture lead connects to the neutral supply conductor, and the grounding wire must be connected to a suitable ground.
7. Slide housing/ cover down and tighten lock nut
8. Install lamp(s) if applicable
9. Re- install refractor/ reflector.



PENDANT MOUNT INSTALLATION – (320M-400M ONLY) PM (FIGURE 5)

1. Remove refractor/ reflector per Figure 1.
2. Feed wires through the 3/4" diameter rigid pendant stem (by others).
3. Connect threaded hub to the 3/4" diameter rigid pendant stem (by others) and attaching the other end to upper structural.
4. Undo lock nut and slide housing/ cover up.
5. Install safety aircraft cable per Figure 2.
6. Slide housing/ cover down and tighten lock nut.
7. At the junction box (outside the luminaire), Wire leads to power supply leads using connectors suitable for the gauge and number of wires being used. Black fixture lead connects to the supply conductor, white fixture lead connects to the neutral supply conductor, and the grounding wire must be connected to a suitable ground.
8. Install lamp(s) if applicable
9. Re-install refractor/ reflector.
 - * Wrap plumbers tape around stem thread before, screwing into fixture hub

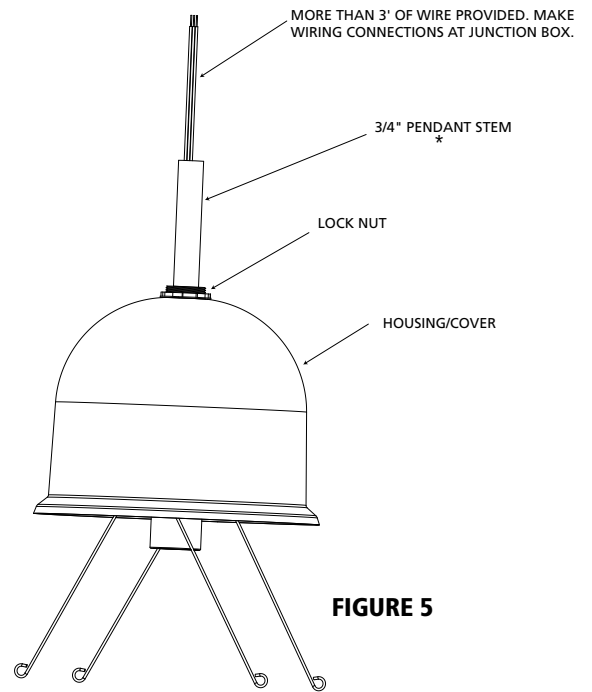


FIGURE 5

CUSTOMER SERVICE

For technical assistance, call 1-800-4KENALL (1-800-453-6255).

WARRANTY

For warranty information visit www.kenall.com/Resources/Certified-Performance-Warranties

