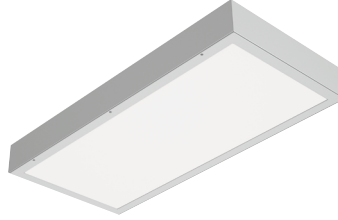


SIMPLESEAL™ ENVIRONMENTAL

ESESI SERIES – LF SURFACE MOUNT – INSET DOOR

PRODUCT FEATURES:

- » Surface ceiling mount – 1'x4', 2'x2', 2'x4'
- » One-piece inset doorframe, secured to housing with continuous hinge and fasteners
- » 18-gauge hole-free, one-piece cold rolled steel housing
- » Closed cell extruded silicone gasket seals doorframe to housing
- » UL certified IP65 per IEC 60598



PROJECT INFORMATION

Job Name _____

Fixture Type _____

Catalog Number _____

Approved by _____

SPECIFICATIONS:

HOUSING: 18-gauge CRS. Hole-free seam welded construction. White TGIC polyester powder coat finish – 5-step pre-treatment. Salt spray test: 1,000 hours; Reflectance: 92%.

DOORFRAME: 18-gauge CRS. One-piece inset construction welded corners. White TGIC polyester powder coat finish – 5-step pre-treatment. Salt spray test: 1,000 hours; Reflectance: 92%
Doorframe secured to housing with continuous hinge and (2) for 2x2, (3) for 1x4, 2x4 captive mounted Phillips head stainless steel fasteners. Closed cell extruded silicone gasket seals doorframe to housing.

LENS: .125" P12 acrylic lens sealed to doorframe with silicone sealant and secured with continuous lens retention system. Lens orientation – smooth side out.

ELECTRICAL: Fluorescent electronic ballasts (<10% THD). Lamps by others. See Electrical Options for additional options.

WIRING ACCESS: Standard wiring access hole on end of luminaire. See TWA Option for Top Access Wiring hole.

INSTALLATION: Four .312" holes for surface mounting.

WARRANTY: Limited one (1) year Kenall fluorescent warranty.

LISTINGS: UL and CUL Listed for Wet Location. UL certified IP65 per IEC 60598.



ORDERING INFORMATION (Ex: ESESI14-1-32-RS-1-120-2F-2H-1)

Model	Lamp Qty/Type	Ballast Type	Ballast Qty	Voltage	Doorframe Option	Housing	Lens Type	Options
Model								
ESESI14	1'x4'							
ESESI22	2'x2'							
ESESI24	2'x4'							
Lamp Quantity/Type								
1x4								
1-28	One F28T5							
2-28	Two F28T5							
3-28	Three F28T5							
1-32	One F32T8							
2-32	Two F32T8							
3-32	Three F32T8							
1-54	One F54T5HO							
2-54	Two F54T5HO							
3-54	Three F54T5HO							
2x2								
2-17	Two F17T8							
3-17	Three F17T8							
4-17	Four F17T8							
6-17	Six F17T8							
2-24	Two F24T5HO							
3-24	Three F24T5HO							
4-24	Four F24T5HO							
2-31U	Two F17T8 – 1.625" U							
3-31U	Three F17T8 – 1.625" U							
Lamp Quantity/Type (cont'd)								
2x4								
2-28	Two F28T5							
3-28	Three F28T5							
4-28	Four F28T5							
6-28	Six F28T5							
2-32	Two F32T8							
3-32	Three F32T8							
4-32	Four F32T8							
6-32	Six F32T8							
2-54	Two F54T5HO							
3-54	Three F54T5HO							
4-54	Four F54T5HO							
6-54	Six F54T5HO							
Ballast Type								
IS	Instant Start Electronic <10% THD (T8)							
RS	Rapid Start Electronic <10% THD (T8, T5, T5HO)							
SB	Specified Ballast							
Ballast Quantity								
1	One							
2	Two							
Voltage								
120	120 Volts							
277	277 Volts							
347	347 Volts							
	(n/a with F24T5HO, F28T5 lamps)							
Doorframe Options								
2F	18-Ga CRS Painted (STD)							
AF	Anodized Aluminum							
PAF	Painted Fabricated Aluminum							
5F	20-Ga Type 304 SS Brushed							
Housing Options								
2H	20-Ga CRS(STD)							
5H	20-Ga Type 304 SS							
PAH	.050" Painted Aluminum							
Lens Type								
Acrylic								
1	.125" #12 Prismatic (STD)							
T	.125" Clear							
U	.125" #12 Prismatic Impact Blend							
Polycarbonate								
2	.125" #12 Prismatic							
G	.125" Clear							
6	.187" #12 Prismatic							
Tempered Glass								
TG	.250" Textured Tempered Glass							
Specified Lens								
SL	Specified Lens							
Options								
EL*	Standard Lumen EL Pack							
PEL*	High Lumen EL Pack							
SEL*	Specified EL Pack							
DLN	LED Night Light w/Light Level Control (100%-20%)							
FS*	Fuse & Holder							
HJ	Sealed Wireway							
RM	Continuous Row Mounting							
TH	1/2" Trade Size Threaded Hub							
TN	PL Night Light – 5/7/9 Watt (Lamp supplied by other) (120/277V only)							
TWA	Top Access Wiring Hole							

*n/a with three (3) F54T5HO lamps (1x4) or six (6) F54T5HO lamps (2x4)



www.kenall.com | P: 800-4-Kenall | F: 262-891-9701 | 10200 55th Street Kenosha, Wisconsin 53144, USA

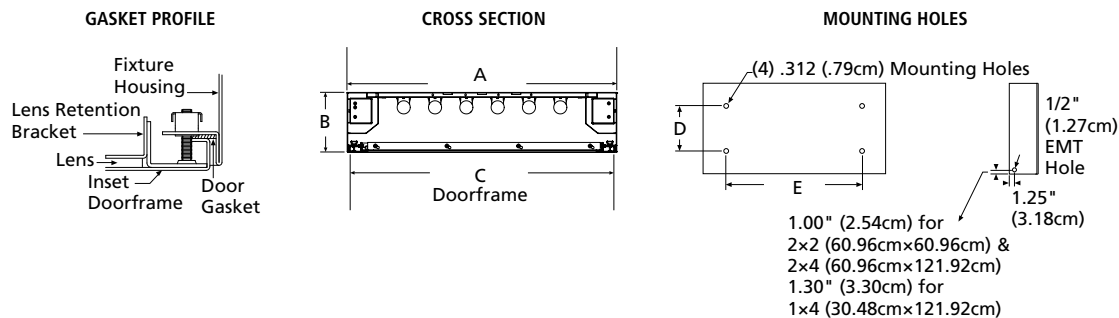
A brand of **legrand**

This product complies with the Buy American Act: manufactured in the United States with more than 50% of the component cost of US origin. It may be covered by patents found at www.kenall.com/patents. Content of specification sheets is subject to change; please consult www.kenall.com for current product details. ©2022 Kenall Mfg. Co.

SIMPLESEAL™ ENVIRONMENTAL

ESEI SERIES – LF SURFACE MOUNT – INSET DOOR

DIMENSIONAL DATA



DIMENSIONAL DATA (IN INCHES & CENTIMETERS)					
	A	B	C	D	E
1x4 (T5) 30.48cmx121.92cm	10.60x46.60 26.92x118.36	5.00 12.70	10.20x46.20 25.91x117.35	6.00 15.24	28.00 71.12
1x4 (T8) 30.48cmx121.92cm	10.60x48.13 26.92x122.25	5.00 12.70	10.12x46.20 58.70x117.35	6.00 15.24	28.00 71.12
2x2 (T5) 60.96cmx60.96cm	22.60x22.60 57.40x57.40	5.00 12.70	22.20x22.20 56.39x56.39	12.00 30.48	12.00 30.48
2x2 (T8) 60.96cmx60.96cm	22.60x24.13 57.40x61.29	5.00 12.70	22.20x23.70 56.39x60.20	12.00 30.48	12.00 30.48
2x4 (T5) 60.96cmx121.92cm	22.60x46.60 57.40x118.36	5.00 12.70	22.20x46.20 56.39x117.35	12.00 30.48	36.00 91.44
2x4 (T8) 60.96cmx121.92cm	22.60x48.13 57.40x122.25	5.00 12.70	22.20x47.70 56.39x121.16	12.00 30.48	36.00 91.44

