

MILLENNIUM FREESCALE™

FS548 SERIES

PRODUCT FEATURES:

- » Surface mount – wall or ceiling; 8"W×53"L×4"D
- » Marine grade aluminum baseplate
- » Round or Triangle 100% DR acrylic lens options with multiple lens frame styles
- » ADA Compliant
- » UL certified IP65 per IEC 60598



PROJECT INFORMATION

Job Name _____

Fixture Type _____

Catalog Number _____

Approved by _____

SPECIFICATIONS

BASEPLATE: Die-formed marine grade aluminum; welded corners. Baseplate provided with six-point mounting holes, one wireway hole. TGIC Polyester powder coat – 5-stage pre-treatment; Salt spray test: 1,000 hours.

REFLECTOR: Die-formed marine grade aluminum. Full reflector/wire cover – 92% reflectivity.

LENS: UV-stabilized, high impact resistant, pressure formed pearlescent 100% DR acrylic. Nominal thickness .125". Lens secured in place by lens frame and sealed to baseplate with closed cell silicone gasket.

LENS FRAME/CROSS BARS: Marine grade aluminum; secured to baseplate with tamper-resistant stainless steel Torx® with center pin fasteners. Cross bars nominal thickness .25". Post assembly TGIC polyester powder coat – 5-stage pre-treatment; Salt spray test: 1,000 hours. Optional perf insert 30% open, stainless steel.

HARDWARE: Six stainless steel Torx® T-20 with center pin fasteners. Internal brackets and fasteners are non-corrosive. Surface Conduit Adapter (SCA) accessory – stainless steel trim frame assembly with integral J-box; finished to match lens frame (not available with CA finish). Watertight conduit fittings supplied by others. Rough Service Adapter (RSA) accessory – stainless steel plate (adds .625" height) finished to match lens frame (n/a with CA finish). Stainless steel fasteners provided for mounting fixture to RSA or SCA.

ELECTRICAL: Available 3000K, 3500K, 4000K and 5000K color temperatures, 82 CRI. 120-277VAC, or 347VAC 50/60Hz electrical input with serviceable high power factor electronic, constant-current driver (<20% THD, >0.95 PF). Standard 0-10V dimming with 1-100% range and dim-to-dark capabilities (non dim-to-dark with 347V); 165µA max. source current. Consult factory for fluorescent option.

SENSOR & CONTROLS: Optional sensor available with compatible third party controls. To see the full list of compatible controls, [click here](#).

INSTALLATION: Standard six-point mounting required for Peace of Mind Guarantee®.

PHOTOMETRICS: Photometry tested to the IESNA LM-79-08 standard by an ILAC/ISO17025 accredited laboratory. For photometric information, go to www.kenall.com.

WARRANTY: Limited five (5) year LED warranty. [Peace of Mind Guarantee against breakage.](#)

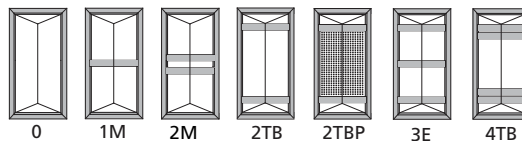
LISTINGS: Luminaire certified to UL standards by Intertek Testing Laboratory for Wet Locations. ETL certified IP65 per IEC 60598. .



ORDERING INFORMATION (Ex: FS548T-1M-PIA-MB-45L40K-1-120-FS)

Model	Lens Frame	Lens Type	Finish	Lamp Type	Lamp Qty	Voltage	Options	Accessories
					1			
Model			Finish		Lamp Quantity		Options	
FS548R 5"×48" Round			BR Bronze		1 One Lamp		FS Single Fuse & Holder (n/a w/347V)	
FS548T 5"×48" Triangle			CS Cool Satin Aluminum				PH Phillips Head Fasteners	
			DB Dark Bronze		Voltage		PC Photo Control with deep housing surface adapter (n/a with 347V or DV)	
			FG Forest Green		120 120 Volts			
Lens Frame			LG Light Gray		277 277 Volts			
0 No Bars			MB Matte Black		347* 347 Volts			
1M One Bar – Middle			MW Matte White		DV 120-277 Volts		Accessories	
2M Two Bars – Middle			WS Warm Satin Aluminum				SCA* Surface Conduit Adapter (not ADA compliant)	
2TB Two Bars – Top & Bottom			CC Custom Color (Consult factory)				RSA* Rough Surface Adapter (not ADA compliant)	
2TBP Two Horizontal Bars w/Perf								
3E Three Bars – Even Spaced								
4TB Four Bars – Top & Bottom								
Lens Type								
PIA Pearlescent High Impact								
100% DR Acrylic								
MPA Matte Pearlescent High Impact								
100% DR Acrylic								

LENS FRAME



www.kenall.com | P: 800-4-Kenall | F: 262-891-9701 | 10200 55th Street Kenosha, Wisconsin 53144, USA

A brand of **legrand**

This product complies with the Buy American Act: manufactured in the United States with more than 50% of the component cost of US origin. It may be covered by patents found at www.kenall.com/patents. Content of specification sheets is subject to change; please consult www.kenall.com for current product details. ©2022 Kenall Mfg. Co.

MILLENIUM FREESCALE™

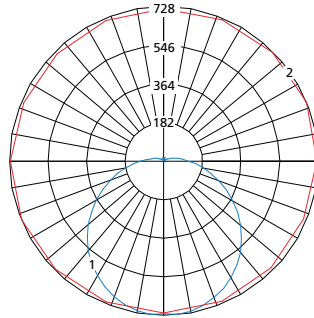
FS548 SERIES – Technical Data

PERFORMANCE

Lamp Type	Initial Delivered Lumens		Input Power (W)	Drive Current (mA)	Estd. L70 LED Life (Hrs)
	@ 25°C	Efficacy (lm/W)			
45L30K	2,897	59	49	94	80,000
45L35K	2,986	61			
45L40K	3,088	63			
45L50K	3,212	66			

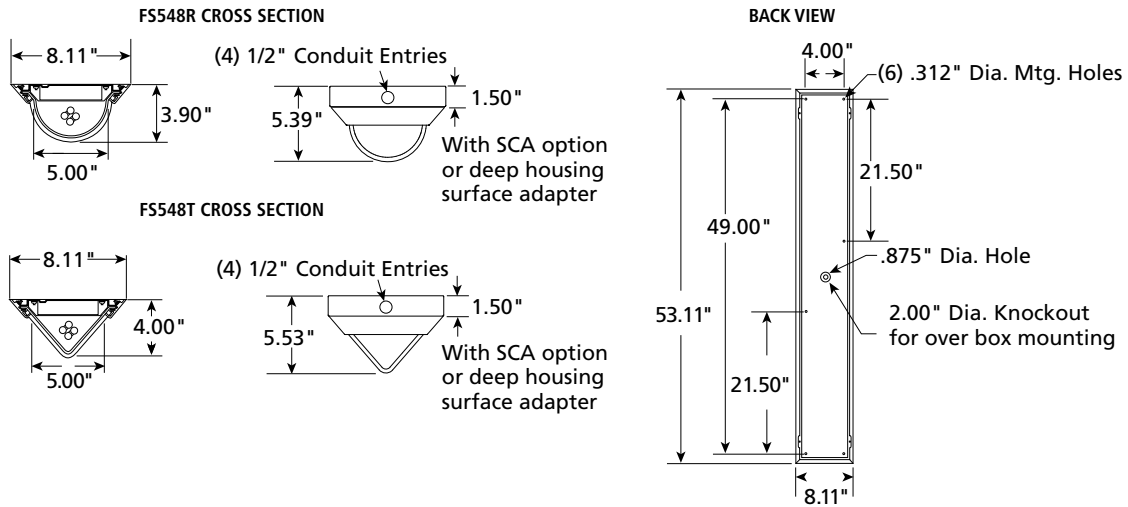
Displayed info is for PIA lens only. Infor subject to change. Visit www.kenall.com for IES files and additional information.

Model: FS548T-2TB-PIA-MW-45L40K-1-120



Maximum Candela = 728 Located At Horizontal Angle = 22.5, Vertical Angle = 5
 1 - Vertical Plane Through Horizontal Angles (22.5-202.5) (Through Max. Cd.)
 2 - Horizontal Cone Through Vertical Angle (5) (Through Max. Cd.)

DIMENSIONAL DATA



www.kenall.com | P: 800-4-Kenall | F: 262-891-9701 | 10200 55th Street Kenosha, Wisconsin 53144, USA

A brand of **legrand**

This product complies with the Buy American Act: manufactured in the United States with more than 50% of the component cost of US origin. It may be covered by patents found at www.kenall.com/patents. Content of specification sheets is subject to change; please consult www.kenall.com for current product details. ©2022 Kenall Mfg. Co.