

HERCULUX™

H612 SERIES – LOW PROFILE HOUSING

PRODUCT FEATURES:

- » Surface wall mount – nominal 6"Wx12"Lx4"D
- » Heavy duty cold rolled steel or aluminum baseplate
- » One-piece, UV-stabilized polycarbonate lens
- » Eyelid or full face styles available
- » Peace of Mind Guarantee® against breakage



PROJECT INFORMATION

Job Name _____

Fixture Type _____

Catalog Number _____

Approved by _____

SPECIFICATIONS

BASEPLATE: H612FL: 16-gauge CRS. White TGIC polyester powder coat – 5-step pre-treatment. Salt spray test: 1,000 hours. Reflectance: 92%. Baseplate provided with four-point mounting holes and one wireway hole. See Ordering Options for marine grade aluminum baseplate (AL). H612EL: 14-gauge aluminum. Baseplate flange interlocks around lens producing maximum moisture deflection and resistance to prying. Baseplate provided with four-point mounting holes and one wireway hole. Standard dark bronze TGIC polyester powder coat – 5-step pre-treatment. See Ordering Information for optional finishes.

LENS: One-piece wraparound lens (UV-stabilized, high impact, virgin injection molded polycarbonate). Smooth exterior, prismatic interior. Nominal thickness: 0.125".

EYELID: High-impact resistant, UV-stabilized injection molded opaque dark bronze polycarbonate. See Ordering Information for optional finishes to match baseplate.

GASKET: Die-cut closed cell neoprene gasket seals lens/baseplate to mounting surface. H612EL: Lens inset into baseplate and sealed with one "O" ring closed cell silicone gasket.

HARDWARE: Four stainless steel Torx® T-20 with center pin fasteners secure lens to baseplate. H612EL: Shoulder fastener design and washer prevent lens/eyelid stress due to over torquing.

ELECTRICAL: Available in 3500K, 4000K, and 5000K color temperatures, 80 CRI. 120-277VAC or 347VAC, 50/60Hz electrical input with high power factor electronic, constant-current driver (>.90 PF). Standard 0-10V dimming with 1-100% range; maximum driver source of 200 µA.

SENSOR & CONTROLS: Optional sensor available with compatible third party controls. To see the full list of compatible controls, [click here](#).

INSTALLATION: Standard four-point mounting required for Peace of Mind Guarantee®.

PHOTOMETRICS: Photometry tested to the IESNA LM-79-08 standard by an ILAC/ISO17025 accredited laboratory. For additional photometric data, please go to www.kenall.com.

WARRANTY: Limited five (5) year LED warranty. [Peace of Mind Guarantee against breakage](#).

LISTINGS: Luminaire is certified to UL Standards by Intertek Testing Laboratory for Wet Location. ADA compliant.



ORDERING INFORMATION (Ex: H612EL-PP-DB-16L40K-DV)

Model	Lens Type	Finish	Lamp Type	Voltage	Options	Accessory
PP						
Model			Lamp Type		Options	
H612EL	Eyelid		8L35K 8 Watt 3500K LED		AL Marine Grade Aluminum Baseplate (H612FL only)	
H612FL	Full Face		8L40K 8 Watt 4000K LED		FS Single Fuse & Holder	
			8L50K 8 Watt 5000K LED			
Lens Type			16L35K 16 Watt 3500K LED		Accessory	
PP	Pearlescent Polycarbonate		16L40K 16 Watt 4000K LED		SA-__ Surface Adapter (specify finish)	
			16L50K 16 Watt 5000K LED		SAA-__ Marine Grade Aluminum Surface Adapter (specify finish)	
Finish (H612EL only)			Voltage			
DB	Dark Bronze		347 347 Volts			
MB	Matte Black		DV 120-277 Volts			
MW	Matte White					
LG	Light Gray					
SL	Silver					
FG	Forest Green					
CC	Custom Color (Consult factory)					



www.kenall.com | P: 800-4-Kenall | F: 262-891-9701 | 10200 55th Street Kenosha, Wisconsin 53144, USA

This product complies with the Buy American Act: manufactured in the United States with more than 50% of the component cost of US origin. It may be covered by patents found at www.kenall.com/patents. Content of specification sheets is subject to change; please consult www.kenall.com for current product details. ©2022 Kenall Mfg. Co.

A brand of Legrand

HERCULUX™

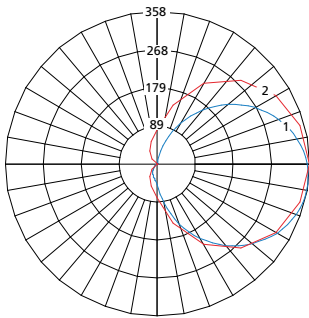
H612 SERIES – LOW PROFILE HOUSING

PERFORMANCE

Model	Lamp Type	Initial Delivered Lumens		Input Power (W)	Drive Current (mA)	Estd. L70 LED Life (Hrs)
		@ 25°C	Efficacy (lm/W)			
H612EL	8L35K	1042	79	13	75	85,000
	8L40K	1042	79	13	75	85,000
	8L50K	1136	86	13	75	85,000
	16L35K	2011	84	24	150	65,000
	16L40K	2011	84	24	150	65,000
	16L50K	2192	91	24	150	65,000
H612FL	8L35K	880	80	11	75	85,000
	8L40K	880	80	11	75	85,000
	8L50K	952	87	11	75	85,000
	16L35K	1748	88	20	150	65,000
	16L40K	1748	88	20	150	65,000
	16L50K	1905	96	20	150	65,000

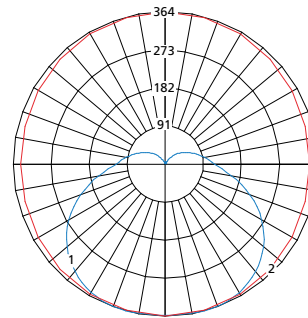
Information subject to change. Visit www.kenall.com for IES files and additional information.

Model: H612EL-PP-MW-16L40K-DV



Max Candela = 358 Located At Horizontal Angle = 90, Vertical Angle = 82.5
 1 - Vertical Plane Through Horizontal Angles (90-270) (Through Max. Cd.)
 2 - Horizontal Cone Through Vertical Angle (82.5) (Through Max. Cd.)

Model: H612FL-PP-MW-16L40K-DV



Max Candela = 364 Located At Horizontal Angle = 90, Vertical Angle = 17.5
 1 - Vertical Plane Through Horizontal Angles (90-270) (Through Max. Cd.)
 2 - Horizontal Cone Through Vertical Angle (17.5) (Through Max. Cd.)



www.kenall.com | P: 800-4-Kenall | F: 262-891-9701 | 10200 55th Street Kenosha, Wisconsin 53144, USA

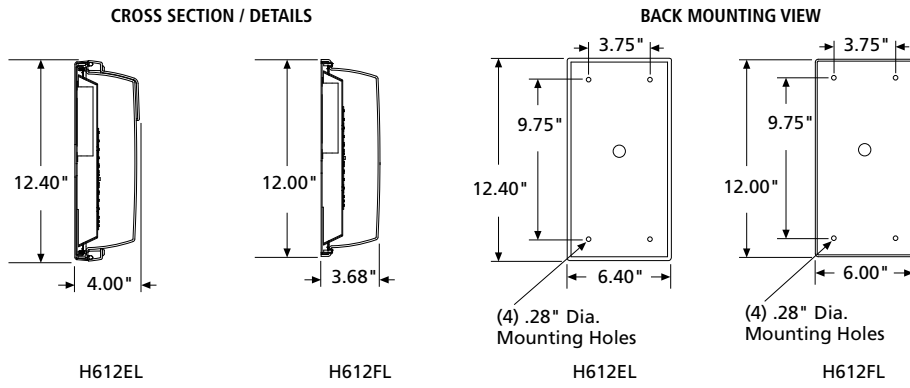
This product complies with the Buy American Act: manufactured in the United States with more than 50% of the component cost of US origin. It may be covered by patents found at www.kenall.com/patents. Content of specification sheets is subject to change; please consult www.kenall.com for current product details. ©2022 Kenall Mfg. Co.

A brand of Legrand

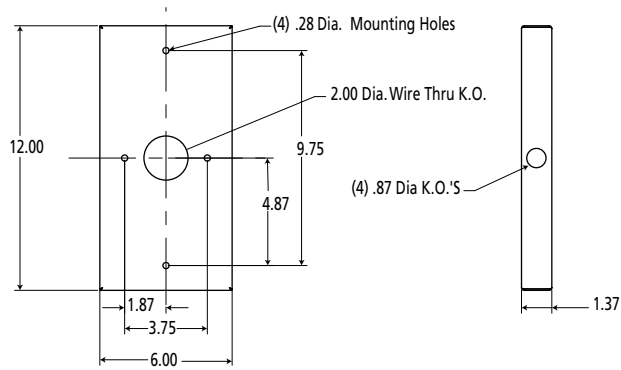
HERCULUX™

H612 SERIES – LOW PROFILE HOUSING

DIMENSIONAL DATA



SURFACE ADAPTER



www.kenall.com | P: 800-4-Kenall | F: 262-891-9701 | 10200 55th Street Kenosha, Wisconsin 53144, USA

This product complies with the Buy American Act: manufactured in the United States with more than 50% of the component cost of US origin. It may be covered by patents found at www.kenall.com/patents. Content of specification sheets is subject to change; please consult www.kenall.com for current product details. ©2022 Kenall Mfg. Co.

A brand of Legrand