

HELOS™

Luminaires for Parking Garages

HPG14 SERIES



PRODUCT FEATURES:

- » Unique hexagonal light guide with edge-lit LED light engine provides three distribution options - Type V, Rectangular and Drive Lane
- » Lightweight construction (7 lbs) for ease of installation
- » Nominal output range of 4,000 to 12,000 lm
- » Compatible with TekLink™ lighting control technology

SPECIFICATIONS

HOUSING: Die-cast aluminum construction. Standard TGIC polyester powder coat finish on aluminum components with five-step pre-treatment to withstand 1,000 hour salt spray test per ASTM B117. See Ordering Information for available finishes. Closed-cell gasketing seals all housing component interfaces.

MOUNTING: Direct-to-Surface (DTS) mounts over recessed electrical box to ceiling, Quick-Mount (QM) mounts to either surface or recessed electrical box, Trunnion Mount (TK) or pendant-mounted (PM) via ¾" rigid sealed conduit. See Ordering Information for selection. Fixture weight is 7 lbs.

OPTICAL: Type V-Wide (5W), Rectangular Wide (RW) and Drive Lane (DL) optical distribution options. Light guide outer lens constructed of clear UV-stabilized polycarbonate.

ELECTRICAL: Edge-lit mid-power LED light source. See Ordering Information for color temperature options. 80 CRI minimum. 120-277 VAC, 347VAC and 480VAC 50/60Hz input; constant-current dimming driver; <20% THD, >0.90 PF. Minimum 83% electrical efficiency. 0-10V dimming protocol with 1-100% range and dim-to-dark capabilities, 0.2mA source current (90L lamp is 10-100% dimming with dim-to-dark capabilities, 0.45mA source current). Surge and transient protection rated at 6kV per ANSI C62.41-2002 and 10kV per ANSI C82.77-5 2015. 20kA max. transient protection (L-N). Replaceable surge suppressor. Driver is EMC compliant with FCC 47 CFR Part 15, Class B. Passes IEC 61000-4-4 EFT and IEC 61000-4-5 (Class 4) surge evaluation.

TEKLINK™ TL50M/TL50DM: An independent lighting control system integral to the luminaire, featuring its own embedded occupancy sensor and adjustable time-out/dimming settings. TL50DM adds a closed-loop daylight harvesting function for maximum energy savings.

TEKLINK™ TL100: Centralized, wired zonal occupancy and closed-loop daylight harvesting control system. TL100 controllers are standalone devices and ordered separately from luminaire. [Click here for specifications.](#)

TEKLINK TL200M/TL200DM: A wireless, zonal occupancy control Bluetooth® Low Energy system (BLE v5.2) with embedded sensor. Mobile app for Android and iOS device allows changes to time-out period, turn-off delay and light level. System commissioning is not required - network is operational upon power-up. TL200DM adds the daylight harvesting function for maximum energy savings.

TEKLINK™ TL1000/2000: An adaptive lighting control system with wired or wireless communication between system nodes. In addition to occupancy detection and daylight harvesting, TL1000 and TL2000 feature advanced scheduling and energy management capabilities with cloud-based management of system settings, task tuning, power/energy monitoring, reporting and notifications. TL1000 utilizes wired (shielded twisted pair) communication to exchange information built on the CAN bus protocol. TL2000 uses wireless communication (900 MHz), designed to the IEEE 802.15.4 standard.

SENSOR & CONTROLS: Optional sensor available with compatible third party controls. To see the full list of compatible controls, [click here.](#)

PHOTOMETRICS: Photometry tested to the IESNA LM-79-08 standard by an ILAC/ISO17025 accredited laboratory. For photometric data, please go to www.kenall.com.

WARRANTY: Limited five (5) year warranty. Peace of Mind Guarantee® when ordered and installed with direct-to-surface (DTS) mounting.

LISTINGS: Luminaire is certified to UL Standards by Intertek Testing Laboratory for Wet Location. IP66 rating per IEC 60598 standard. Suitable for installation into -35°C to 40°C ambient environments, unless otherwise noted. Passes 3G vibration test per ANSI C136.31-2001. DesignLights Consortium® (DLC) Premium qualified product and DLC qualified product. Not all versions of this product may be DLC Premium qualified or DLC qualified. Visit <https://qpl.designlights.org/> to confirm qualification.



ORDERING INFORMATION (Ex: HPG14-PM-MW-5W-CP-50L-40K8-DIM1-DV-FS-TL200)

Model	Mounting	Finish	Optic Type	Lens Type	Lamp Power	Lamp Color	Driver Type	Voltage	Options	Accessories	TekLink	Controls Kit	
HPG14													
			CP										
			< >										
Mounting			Lamp Power		Driver Type			TekLink					
DTS	Direct-to-Surface		30L	30W LED (DL optic only)		DIM1 0-10V Dimming to 1% with Dim-to-Dark (70L max.)			TL50M* Non-Networked Control - Motion Only (Click here for specifications)				
PM	Pendant Mount		35L^	35W LED		DIM10* 0-10V Dimming to 10% with Dim-to-Dark			TL50DM* Non-Networked Control - Daylight Harvesting and Motion Sensing (Click here for specifications)				
TK	Trunnion Kit		40L^	40W LED		Voltage			TL200M* Wireless Networked Control - Motion Only (Click here for specifications)				
QM	Quick Mount System		50L^	50W LED		DV 120-277 Volts (50/60Hz)			TL200DM* Wireless Networked Control - Daylight Harvesting and Motion Sensing (Click here for specifications)				
Finish			70L*	70W LED		347 347 Volts (60Hz)			TL1000* Wired Network Control - Advanced (Click here for specifications)				
MW	Matte White (STD)		90L*	90W LED		480 480 Volts (60Hz)			TL2000* Wireless Network Control - Advanced (Click here for specifications)				
LG	Light Gray		Lamp Color			Options							
CC	Custom Color (consult factory)		30K8	3000K/80CRI min		LEL* Integral 10W Emergency Battery Backup (0°C min. ambient)							
Optic Type			35K8	3500K/80CRI min		CEL* Integral 10W Cold Weather Battery Backup (-20°C min ambient, requires separate housing enclosure - see Dimensional Data)							
5W	Type V – Wide Circular		40K8	4000K/80CRI min		GTDU* UL924 and UL1008 Listed Switch Bypass/Lighting Transfer Switch with 0-10V Dimming Override (not available with LEL/CEL Option)							
RW	Rectangular – Wide		50K8	5000K/80CRI min					Please consult Kenall Applications when ordering controls. Mounting heights above 14' may require alternate sensing technology.				
DL	Drive Lane / Type 4												
Lens Type													
CP	Clear Polycarbonate												
									Controls Kit				
									< > Factory Assigned Internal Code				
									^ Not available with DL optic				
									* Not available with DL and RW optic				
									+ DV input voltage only. Not available with 90L lamp power.				
									▲ 90L lamp only. DV input voltage only.				
									Accessories				
									BD Bird Deterrent (PM and TK Mounting only)				



www.kenall.com | P: 800-4-Kenall | F: 262-891-9700 | 10200 55th Street Kenosha, Wisconsin 53144, USA

A brand of **legrand**

This product complies with the Buy American Act: manufactured in the United States with more than 50% of the component cost of US origin. It may be covered by patents found at www.kenall.com/patents. Content of specification sheets is subject to change; please consult www.kenall.com for current product details. ©2023 Kenall Mfg. Co.

HELOS™
Luminaires for Parking Garages
HPG14 SERIES

For additional photometry, go to www.kenall.com

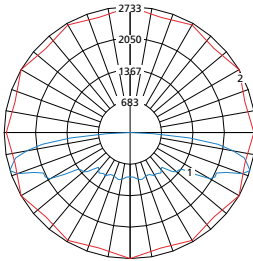
Optic		Lamp Power	Initial Delivered Lumens, By Lamp Color (lm)				Efficacy (lm/W)	Input Power (W)	TM-21 Reported L70 (hrs)	Delivered Output in LEL Battery Mode (lm)
Distribution	Lens Type		30K8	35K8	40K8	50K8				
5W	CP	35L	5,083	5,257	5,380	5,414	127 - 135	40	>102,000	1,350
		40L	5,741	5,938	6,076	6,116	126 - 135	45		
		50L	7,004	7,245	7,414	7,462	125 - 133	56		
		70L	9,287	9,797	10,025	10,090	118 - 129	78		
		90L	11,559	11,652	11,923	12,000	119 - 123	97		N/A
RW	CP	35L	5,015	5,187	5,308	5,342	123 - 131	41	>102,000	1,310
		40L	5,642	5,836	5,971	6,010	122 - 130	46		
		50L	6,821	7,055	7,219	7,266	119 - 127	57		
DL	CP	30L	3,941	4,077	4,172	4,199	110 - 117	36	>102,000	1,170

Information above is subject to change without notice. Visit www.kenall.com for IES files and additional information.

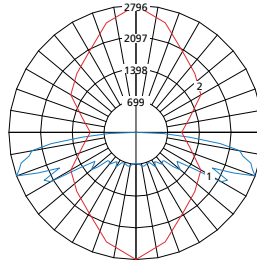
Model: HPG14-www-xx-5W-CP-70L-40K8-DIM1-yyy-zzzz

Model: HPG14-www-xx-RW-CP-50L-40K8-DIM1-yyy-zzzz

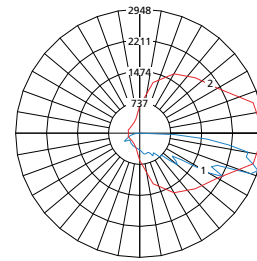
Model: HPG14-www-xx-DL-CP-30L-40K8-DIM1-www-zzzz



Max Candela = 2733 Located At Horizontal Angle = 30, Vertical Angle = 72.5
 1 - Vertical Plane Through Horizontal Angles (30 - 210) (Through Max. Cd.)
 2 - Horizontal Cone Through Vertical Angle (72.5) (Through Max. Cd.)



Max Candela = 2796 Located At Horizontal Angle = 90, Vertical Angle = 70
 1 - Vertical Plane Through Horizontal Angles (90 - 270) (Through Max. Cd.)
 2 - Horizontal Cone Through Vertical Angle (70) (Through Max. Cd.)



Max Candela = 2948 Located At Horizontal Angle = 0, Vertical Angle = 72.5
 1 - Vertical Plane Through Horizontal Angles (0 - 180) (Through Max. Cd.)
 2 - Horizontal Cone Through Vertical Angle (72.5) (Through Max. Cd.)

LUMEN AMBIENT TEMPERATURE (LAT) FACTORS

Avg. Ambient Temperature	10°C	15°C	20°C	25°C	30°C	35°C	40°C
Lumen Output Factor	1.03	1.02	1.01	1	0.99	0.98	0.97



www.kenall.com | P: 800-4-Kenall | F: 262-891-9700 | 10200 55th Street Kenosha, Wisconsin 53144, USA

A brand of **legrand**

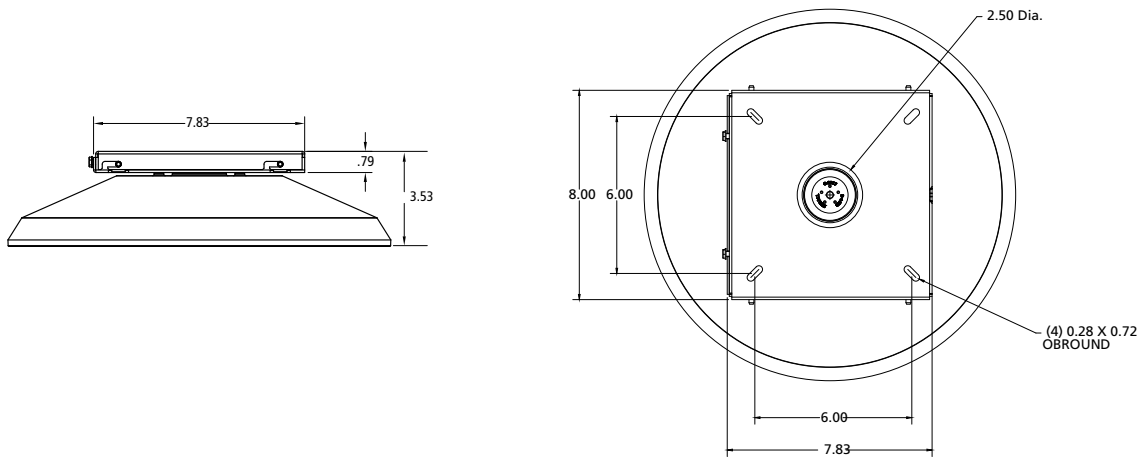
This product complies with the Buy American Act: manufactured in the United States with more than 50% of the component cost of US origin. It may be covered by patents found at www.kenall.com/patents. Content of specification sheets is subject to change; please consult www.kenall.com for current product details. ©2023 Kenall Mfg. Co.

HELOS™
Luminaires for Parking Garages

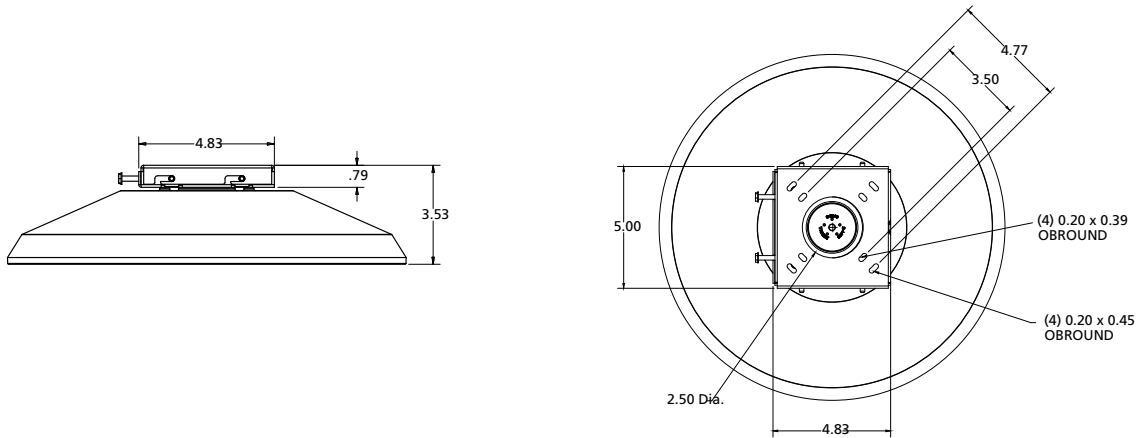
HPG14 SERIES

MOUNTING DIMENSIONAL DATA

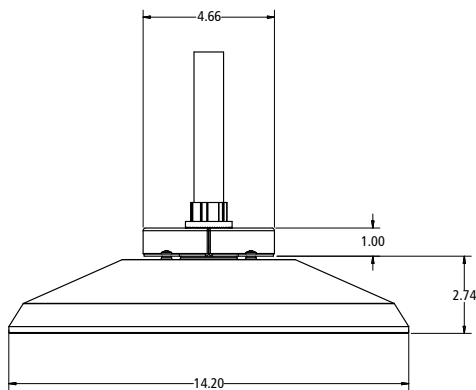
Direct-to-Surface



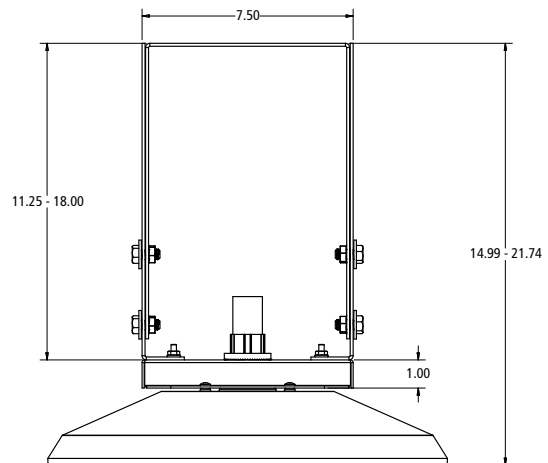
Quick Mount System



Pendant Mount



Trunnion Kit



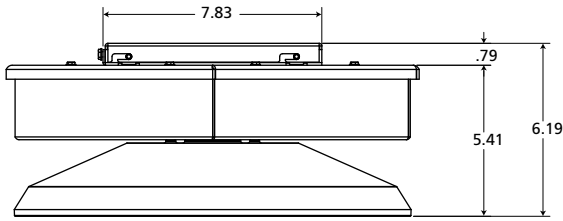
www.kenall.com | P: 800-4-Kenall | F: 262-891-9700 | 10200 55th Street Kenosha, Wisconsin 53144, USA

A brand of **legrand**

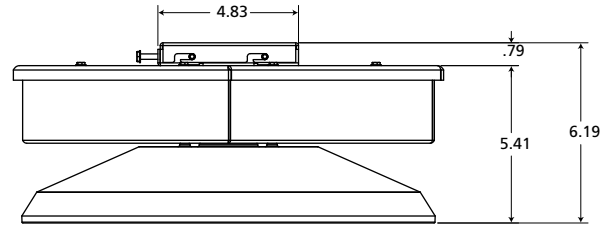
This product complies with the Buy American Act: manufactured in the United States with more than 50% of the component cost of US origin. It may be covered by patents found at www.kenall.com/patents. Content of specification sheets is subject to change; please consult www.kenall.com for current product details. ©2023 Kenall Mfg. Co.

HELOS™
 Luminares for Parking Garages
HPG14 SERIES
 MOUNTING DIMENSIONAL DATA

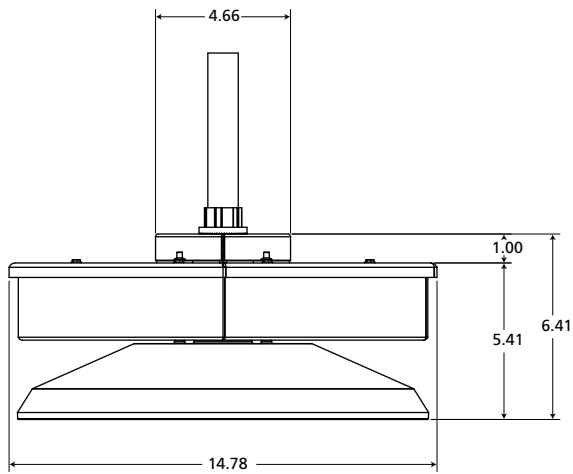
Direct-to-Surface with CEL Option



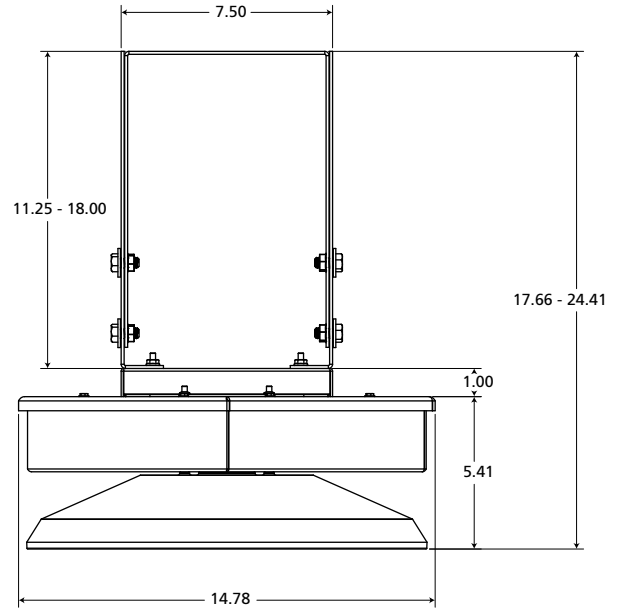
Quick Mount with CEL Option



Pendant Mount with CEL Option



Trunnion Kit with CEL Option



www.kenall.com | P: 800-4-Kenall | F: 262-891-9700 | 10200 55th Street Kenosha, Wisconsin 53144, USA

A brand of **legrand**

This product complies with the Buy American Act: manufactured in the United States with more than 50% of the component cost of US origin. It may be covered by patents found at www.kenall.com/patents. Content of specification sheets is subject to change; please consult www.kenall.com for current product details. ©2023 Kenall Mfg. Co.