

HEALTHCARE

KRT SERIES using Indigo-Clean® Technology for Modular Buildings

PRODUCT FEATURES:

- » Provides portable, on-demand environmental disinfection via LED light to modular buildings
- » Single, white disinfection mode providing high light levels and color quality
- » Independent laboratory tested to kill harmful bacteria, including Staph*, such as MRSA**
- » Five-day shipment from Kenosha, Wisconsin



KRT5



KRT8

PROJECT INFORMATION

Job Name _____

Fixture Type _____

Catalog Number _____

Approved by _____

SPECIFICATIONS

HOUSING: Corrosion-resistant, die-formed aluminum housing with 0.080" external mounting brackets for flexibility in mounting scenarios. Gloss white TGIC polyester powder coat finish with 5-stage pre-treatment.

OPTIC: Clear, impact-resistant prismatic polycarbonate lens with inverted prisms for smooth, cleanable exterior positioned in baseplate channels and retained with two white nylon fasteners.

LIGHT ENGINE: Standard single-mode, white disinfection light source with serviceable mid-power white and 405nm Indigo LED array in 3700K color temperature. 3-step MacAdam variation allowance. Minimum 82 CRI standard, R9>20.

DRIVER: Standard 120VAC, 60Hz electrical input with serviceable high power factor electronic, constant-current drivers (0.90 PF). Driver is capable of 120-277VAC, 50/60Hz with hard-wire connection. Minimum 85% driver efficiency.

INSTALLATION: Wall or ceiling mounting via external mounting feet; 10' cord with NEMA 5-15P plug and strain relief provided as standard. Cord set is removable for hardwire connection capability.

WARRANTY: Limited one (1) year warranty against 10% of individual LEDs failing to illuminate.

LISTINGS: Luminaire is certified to UL and CSA standards by Intertek Testing Services for Damp Locations. ADA Compliant.

* Per independent lab report #5GS-09S17036476. Contact Kenall for a copy of this report.

**Antimicrobial Activity of a Continuous Visible Light Disinfection System by Rutala, et. al, ID Week 2016.



ORDERING INFORMATION (Ex: KRT8-48-110C37K-120)

Model	Length	Lamp Type	Voltage
	48		120
Model	Nominal Length	Lamp Type	
KRT5 5" Nominal Width	48 4'	55C37K 55W 3700K White & Indigo LED (KRT5 Only)	
KRT8 8" Nominal Width		110C37K 110W 3700K White & Indigo LED (KRT8 Only)	
		Voltage	
		120 120VAC	



www.kenall.com | P: 800-4-Kenall | F: 262-891-9701 | 10200 55th Street Kenosha, Wisconsin 53144, USA

A brand of **legrand**

This product complies with the Buy American Act: manufactured in the United States with more than 50% of the component cost of US origin. It may be covered by patents found at www.kenall.com/patents. Content of specification sheets is subject to change; please consult www.kenall.com for current product details. ©2019 Kenall Mfg. Co.

HEALTHCARE

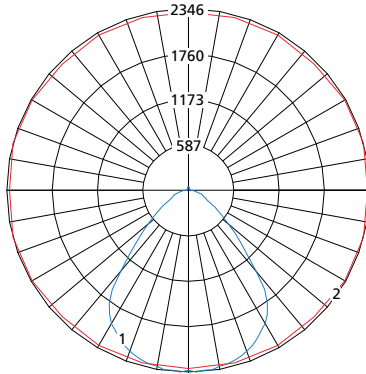
KRT SERIES using Indigo-Clean® Technology for Modular Buildings

PERFORMANCE

Model	Lamp Type	Initial Delivered Lumens		Input Power (W)	Drive Current (mA)	Estd L70 LED Life (Hrs)
		@ 25C (lm)	Efficacy (lm/W)			
KRT5-48	55C37K	5,393	89	61	125	80,000
KRT8-48	110C37K	10,545	87	121	125	80,000

Information subject to change without notice. Photometry tested to the IESNA LM-79-08 standard by an ILAC/ISO17025 accredited laboratory. For photometric data, please go to www.kenall.com

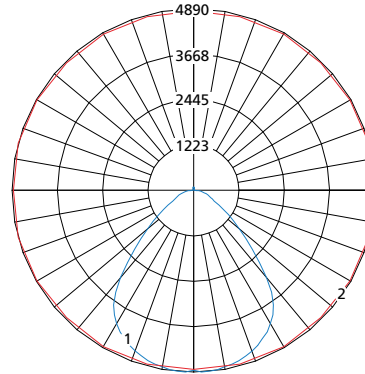
Model: KRT5-48-55C37K-120



Maximum Candela = 2346 Located At Horizontal Angle = 15, Vertical Angle = 2.5

- 1 - Vertical Plane Through Horizontal Angles (15-195) (Through Max. Cd.)
- 2 - Horizontal Cone Through Vertical Angle (2.5) (Through Max. Cd.)

Model: KRT8-48-110C37K-120

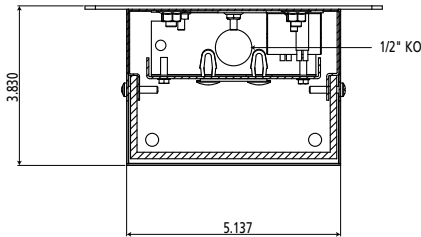


Maximum Candela = 4890 Located At Horizontal Angle = 15, Vertical Angle = 2.5

- 1 - Vertical Plane Through Horizontal Angles (15-195) (Through Max. Cd.)
- 2 - Horizontal Cone Through Vertical Angle (2.5) (Through Max. Cd.)

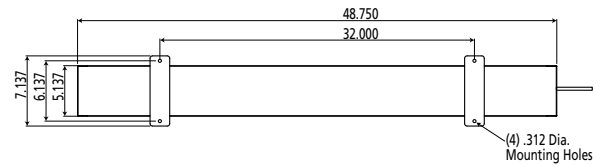
DIMENSIONAL DATA

SIDE VIEW

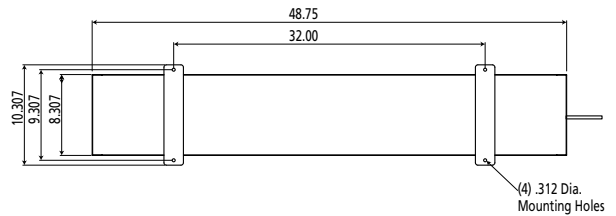
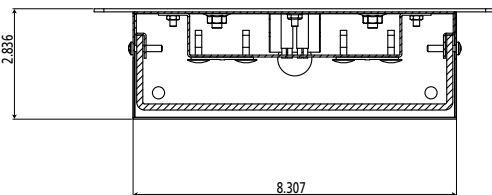


KRT5

TOP VIEW / MOUNTING DIMENSIONS



KRT8



www.kenall.com | P: 800-4-Kenall | F: 262-891-9701 | 10200 55th Street Kenosha, Wisconsin 53144, USA

This product complies with the Buy American Act: manufactured in the United States with more than 50% of the component cost of US origin. It may be covered by patents found at www.kenall.com/patents. Content of specification sheets is subject to change; please consult www.kenall.com for current product details. ©2019 Kenall Mfg. Co.

A brand of **legrand**