

# LUXTRAN™ Luminaires for Tunnel Applications

## LTL SERIES

### PRODUCT FEATURES:

- » Powered by RD700 distributed DC driver system; remotely-located for servicing convenience
- » Suitable for continuous and discontinuous row mounting on a ceiling or wall
- » Tool-less access and removal of light engine/optical assembly from raceway enclosure
- » Optical configurations designed for tunnel lighting applications
- » 10 Year limited product warranty



### PROJECT INFORMATION

Job Name \_\_\_\_\_

Fixture Type \_\_\_\_\_

Catalog Number \_\_\_\_\_

Approved by \_\_\_\_\_

### SPECIFICATIONS

**RACEWAY:** 18-gauge Type 304 or Type 316 stainless steel enclosure with one-piece, seam-welded construction; 2B finish; passivated post-welding. 16-gauge die-formed and welded mounting points; custom mounting detail to tunnel structure available.

**LIGHT ENGINE HOUSING:** 16-gauge Type 304 or Type 316 stainless steel doorframe with one-piece, seam-welded construction; 2B finish; passivated post-welding. Stainless steel safety cables attach to raceway. Lockable rotary latches (lock by others) constructed of matching grade stainless steel. Internal marine-grade aluminum heat sink.

**GASKETING:** One-piece extruded silicone with molded corners.

**OPTICS:** Type II, Type V Narrow and Type V Square optical distributions. Clear tempered glass or polycarbonate lens.

**ELECTRICAL:** Serviceable high-brightness LED array. See Ordering Information for color temperature options. 65 CRI minimum. Powered by remotely-located RD700 distributed constant-current DC supply. Four 8' fixtures are powered by one driver supply. See Circuit Detail for information on load configuration requirements.

**ACCESSORIES:** **END-MOUNT JUNCTION BOX:** Attaches to an end-located LTL luminaire within a continuous or discontinuous run. Allows for connection to RD700 via 3/4" (1.91 cm) or 1" (2.54 cm) trade size sealed conduit. Includes two (2) conduit entry points for left/right entry or pass-through for multiple-row LTL installations. **MID-MOUNT JUNCTION BOX:** Installs mid-way within a continuous run of LTL luminaires. Allows for connection to RD700 via 3/4" (1.91 cm) or 1" (2.54 cm) trade size sealed conduit. Includes two (2) conduit entry points for left/right entry or pass-through for multiple-row LTL installations. **RUN TERMINATION COVER:** Terminates the raceway at the end of a continuous or discontinuous run of LTL luminaires.

**INSTALLATION:** Raceway mounting hardware provided by others. 14-18AWG DC branch conductors (by others) for up to six (6) circuits run within raceway. Provided wire taps and two-position electrical connector allow for quick connect/disconnect of the light engine from the DC supply. Ambient temperature rating is -40°C to 50°C.

**PHOTOMETRICS:** Photometry tested to the IESNA LM-79-08 standard by an ILAC/ISO17025 accredited laboratory. For photometric data, please go to [www.kenall.com](http://www.kenall.com)

**WARRANTY:** Limited ten (10) year warranty.

**LISTINGS:** Luminaire is certified to UL Standards by Intertek Testing Laboratory for Wet Location. IP66 rating per IEC 60598. Rated to NEMA 4X. Luminaire is 3G vibration tested per ANSI C136.31. Passes ANSI C136.27-2012 qualification test.

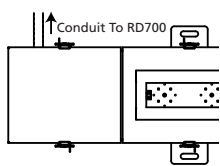


### ORDERING INFORMATION (Ex: LTL-8-C-SM-2-100L57K-304-8)

Model	Size Configuration	Mounting	Mounting Design	Distribution Type	Lamp Type	Housing Material	Lens Type	
<b>LTL</b>								
<b>Size Configuration</b>		<b>Distribution Type</b>		<b>Lamp Type</b>		<b>8' Length</b>		
4	4' (122 cm) Nominal Length	2	Type II	25L40K	25 Watt 4000K LED	50L40K	50 Watt 4000K LED	
8	8' (244 cm) Nominal Length	5N	Type V – Narrow	25L50K	25 Watt 5000K LED	50L50K	50 Watt 5000K LED	
		5S	Type V – Square	25L57K	25 Watt 5700K LED	50L57K	50 Watt 5700K LED	
<b>Mounting</b>		<b>Mounting Design Detail</b>		<b>4' Length</b>		<b>Housing Material</b>		
C	Ceiling	SM	Standard Mounting Detail (as shown)	36L40K	36 Watt 4000K LED	72L40K	72 Watt 4000K LED	
W	Wall	CM	Custom/Project-Specific Mounting (consult factory)	36L50K	36 Watt 5000K LED	72L50K	72 Watt 5000K LED	
				36L57K	36 Watt 5700K LED	72L57K	72 Watt 5700K LED	
				100L40K	100 Watt 4000K LED	100L40K	100 Watt 4000K LED	
				50L40K	50 Watt 4000K LED	100L50K	100 Watt 5000K LED	
				50L50K	50 Watt 5000K LED	100L57K	100 Watt 5700K LED	
				50L57K	50 Watt 5700K LED			
							<b>Lens Type</b>	
							8	.188" (.48 cm) Tempered Glass Lens
							G	.125" (.32 cm) Clear Polycarbonate

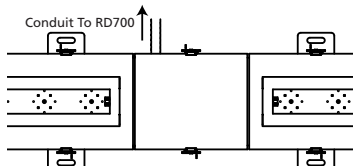
### ACCESSORIES (ORDERED SEPARATELY)

**LTL-EJB-304** End-Mount Junction Box, 304 Stainless  
**LTL-EJB-316** End-Mount Junction Box, 316 Stainless



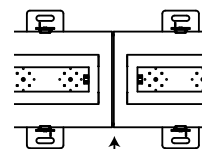
LTL-EJB

**LTL-MJB-304** Mid-Mount Junction Box, 304 Stainless  
**LTL-MJB-316** Mid-Mount Junction Box, 316 Stainless



LTL-MJB

**LTL-RTC-304** Run Termination Cover, 304 Stainless  
**LTL-RTC-316** Run Termination Cover, 316 Stainless



LTL-RTC (between fixtures)



[www.kenall.com](http://www.kenall.com) | P: 800-4-Kenall | F: 262-891-9701 | 10200 55th Street Kenosha, Wisconsin 53144, USA

This product complies with the Buy American Act: manufactured in the United States with more than 50% of the component cost of US origin. It may be covered by patents found at [www.kenall.com/patents](http://www.kenall.com/patents). Content of specification sheets is subject to change; please consult [www.kenall.com](http://www.kenall.com) for current product details. ©2019 Kenall Mfg. Co.

A brand of **legrand**

# LUXTRAN™ Luminaires for Tunnel Applications

## LTL SERIES

### PERFORMANCE

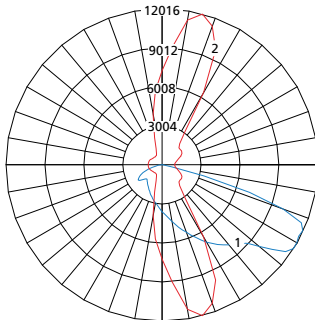
Length	Lamp Type	Initial Delivered Lumens (lm)			Efficacy (lm/W)	Input Power (W)	Drive Current (mA)	Estd. L <sub>70</sub> LED Life (hrs)
		Type II	Type 5N	Type 5S				
4'	25L40K	3,790	3,924	3,766	142 - 148	27	175mA	150,000
	25L50K	3,790	3,924	3,766	142 - 148	27	175mA	150,000
	25L57K	3,790	3,924	3,766	142 - 148	27	175mA	150,000
	36L40K	5,308	5,495	5,273	141 - 147	37	250mA	135,000
	36L50K	5,308	5,495	5,273	141 - 147	37	250mA	135,000
	36L57K	5,308	5,495	5,273	141 - 147	37	250mA	135,000
	50L40K	7,666	7,936	7,616	139 - 145	55	350mA	125,000
	50L50K	7,666	7,936	7,616	139 - 145	55	350mA	125,000
	50L57K	7,666	7,936	7,616	139 - 145	55	350mA	125,000
8'	50L40K	7,581	7,848	7,532	142 - 148	53	175mA	150,000
	50L50K	7,581	7,848	7,532	142 - 148	53	175mA	150,000
	50L57K	7,581	7,848	7,532	142 - 148	53	175mA	150,000
	72L40K	10,616	10,990	10,547	141 - 147	75	250mA	135,000
	72L50K	10,616	10,990	10,547	141 - 147	75	250mA	135,000
	72L57K	10,616	10,990	10,547	141 - 147	75	250mA	135,000
	100L40K	15,332	15,872	15,232	139 - 145	109	350 mA	125,000
	100L50K	15,332	15,872	15,232	139 - 145	109	350 mA	125,000
	100L57K	15,332	15,872	15,232	139 - 145	109	350 mA	125,000

Information above was tested with the Type 8 lens. Subject to change without notice. Visit [www.kenall.com](http://www.kenall.com) for IES files and additional information.

### LUMEN AMBIENT TEMPERATURE (LAT) FACTORS

10°C	15°C	20°C	25°C	30°C	35°C	40°C
1.04	1.02	1.01	1.00	0.99	0.98	0.96

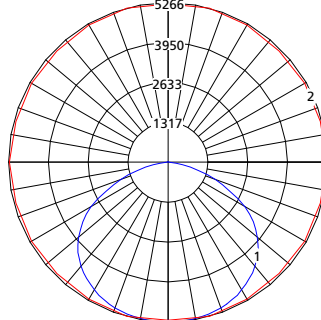
Model: LTL-8-x-yy-2-100L50K-zzz-8



Max Candela = 12016 Located At Horizontal Angle = 75, Vertical Angle = 57.5

1 - Vertical Plane Through Horizontal Angles (75 - 255) (Through Max. Cd.)  
2 - Horizontal Cone Through Vertical Angle (57.5) (Through Max. Cd.)

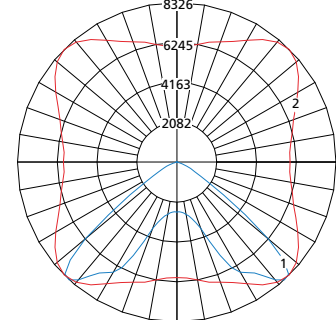
Model: LTL-8-x-yy-5N-100L50K-zzz-8



Max Candela = 5266 Located At Horizontal Angle = 45, Vertical Angle = 42.5

1 - Vertical Plane Through Horizontal Angles (45 - 225) (Through Max. Cd.)  
2 - Horizontal Cone Through Vertical Angle (42.5) (Through Max. Cd.)

Model: LTL-8-x-yy-5S-100L50K-zzz-8



Max Candela = 8326 Located At Horizontal Angle = 45, Vertical Angle = 42.5

1 - Vertical Plane Through Horizontal Angles (45 - 225) (Through Max. Cd.)  
2 - Horizontal Cone Through Vertical Angle (42.5) (Through Max. Cd.)



[www.kenall.com](http://www.kenall.com) | P: 800-4-Kenall | F: 262-891-9701 | 10200 55th Street Kenosha, Wisconsin 53144, USA

This product complies with the Buy American Act: manufactured in the United States with more than 50% of the component cost of US origin. It may be covered by patents found at [www.kenall.com/patents](http://www.kenall.com/patents). Content of specification sheets is subject to change; please consult [www.kenall.com](http://www.kenall.com) for current product details. ©2019 Kenall Mfg. Co.

A brand of legrand

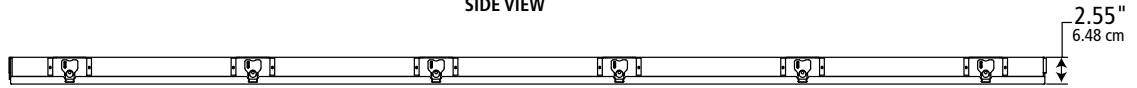
**LUXTRAN™**  
Luminaires for Tunnel Applications

**LTL SERIES**

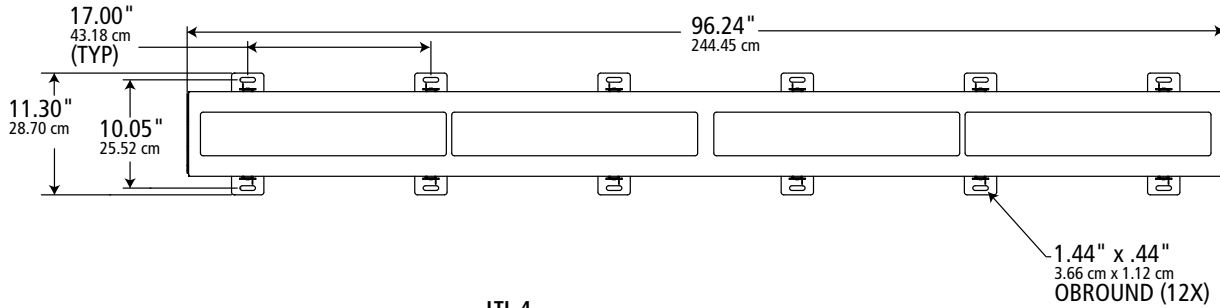
**DIMENSIONAL DATA**

**LTL-8**

**SIDE VIEW**



**FRONT VIEW**

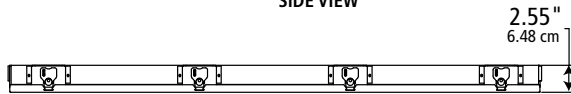


**END VIEW**

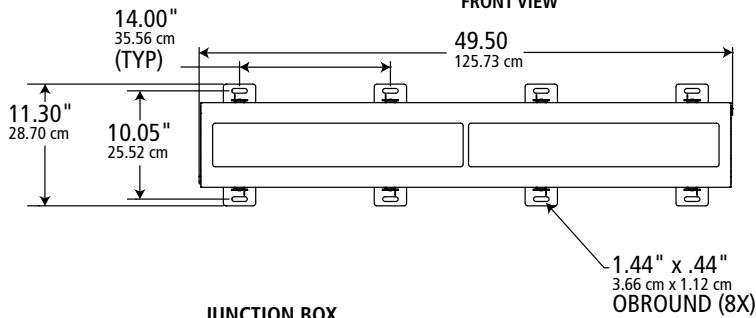


**LTL-4**

**SIDE VIEW**



**FRONT VIEW**

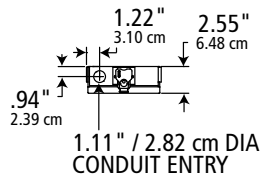


**END VIEW**

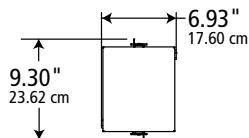


**JUNCTION BOX**

**SIDE VIEW**



**FRONT VIEW**



www.kenall.com | P: 800-4-Kenall | F: 262-891-9701 | 10200 55th Street Kenosha, Wisconsin 53144, USA

A brand of **legrand**

This product complies with the Buy American Act: manufactured in the United States with more than 50% of the component cost of US origin. It may be covered by patents found at www.kenall.com/patents. Content of specification sheets is subject to change; please consult www.kenall.com for current product details. ©2019 Kenall Mfg. Co.

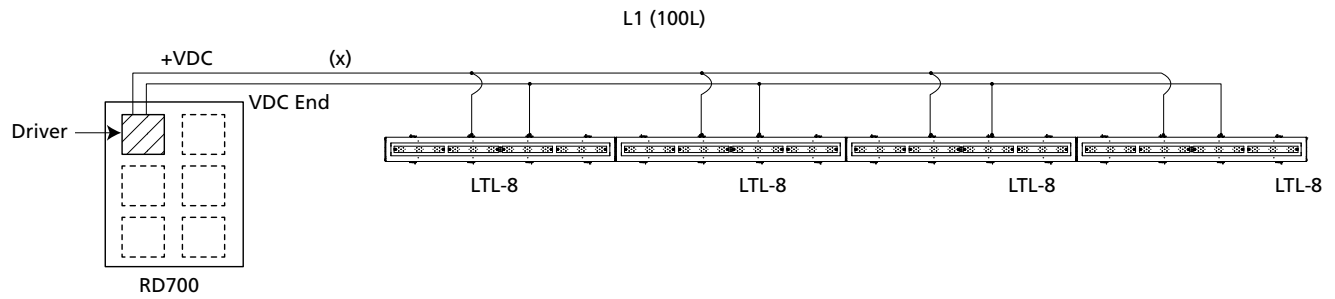
# LUXTRAN™ Luminaires for Tunnel Applications

## LTL SERIES

### CIRCUIT DETAIL

Lamp Power	Size Configuration	Driver Wiring Schematic	(x) Required Driver Output Current
100L	8	L1	1400 mA

Consult Factory for corresponding RD700 product specification for all other Lamp Types



www.kenall.com | P: 800-4-Kenall | F: 262-891-9701 | 10200 55th Street Kenosha, Wisconsin 53144, USA

A brand of **legrand**

This product complies with the Buy American Act: manufactured in the United States with more than 50% of the component cost of US origin. It may be covered by patents found at [www.kenall.com/patents](http://www.kenall.com/patents). Content of specification sheets is subject to change; please consult [www.kenall.com](http://www.kenall.com) for current product details. ©2019 Kenall Mfg. Co.