

LUXTRAN™ Luminaires for Tunnel Applications

LTSI-A2 SERIES

PRODUCT FEATURES:

- » Powered by Integral Driver
- » Suitable for supplemental lighting in various tunnel zones with a ceiling or wall orientation
- » Optical configurations designed for tunnel lighting applications
- » Stainless steel structural construction with marine-grade aluminum heat sinks
- » 10 Year limited product warranty



PROJECT INFORMATION

Job Name _____

Fixture Type _____

Catalog Number _____

Approved by _____

SPECIFICATIONS

CHASSIS: 16-gauge Type 304 or Type 316 stainless steel enclosure with one-piece, seam-welded construction; 2B finish; passivated post-welding. 14-gauge die-formed and welded mounting points; custom mounting detail to tunnel structure available.

HEAT SINKS: Type 413 marine-grade die-cast aluminum, coatings to withstand either 1,000 hour or 5,000 hour salt fog test per ASTM B117. Electrically insulated from stainless steel chassis.

DOORFRAME: 16-gauge Type 304 or Type 316 stainless steel doorframe with one-piece, seam-welded construction; 2B finish; passivated post-welding. Stainless steel safety cables attach to chassis. Lockable rotary latches (lock by others) constructed of matching grade stainless steel.

GASKETING: One-piece extruded silicone with molded corners.

OPTICS: Type II, III, 4N, 4W and 5S optical distributions. Clear tempered glass or polycarbonate lens.

ELECTRICAL: Serviceable high-brightness LED array. See Ordering Information for color temperature and CRI options. 70 CRI minimum. 120-277 or 277-480 VAC, 50/60Hz single-phase input; <20% THD, >0.90 PF. Minimum 90% electrical efficiency. Standard 0-10V dimming with 5-100% dimming range with dim-to-dark capabilities @ 0V (200µA maximum source current, 470L; 100µA maximum source current, all others). EMC compliant with FCC 47 CFR Part 15, Class B. Passes IEC 61000-4-4 EFT and IEC 61000-4-5 (Class 4) surge evaluation with standard integral surge protector. 3/4" conduit opening standard, other trade size openings available upon request.

OPTIONAL CONTROLS: Optional control module available with compatible third party controls. To see the full list of compatible controls, [click here](#).

INSTALLATION: Wall or ceiling orientation, see Ordering Information for selection. Mounting hardware provided by others. Conduit entry on back of luminaire standard. Ambient temperature rating is -40°C to 40°C (55°C on 90L/184L, 50°C on 280L; consult factory for higher ambient limits on a per-project basis).

PHOTOMETRICS: Photometry tested to the IESNA LM-79-08 standard by an ILAC/ISO17025 accredited laboratory. For additional photometric data, please go to www.kenall.com.

WARRANTY: Limited ten (10) year warranty.

LISTINGS: Luminaire is certified to UL Standards by Intertek Testing Laboratory for Wet Location. IP66 rating per IEC 60598. Rated to NEMA 4X. Luminaire is 3G vibration tested per ANSI C136.31. Passes ANSI C136.27-2012 qualification test.



ORDERING INFORMATION (Ex: LTSI-A2-C-SM-2-8-470L-50K7-DIM5-CV-304-1KF)

| Model | Size Configuration | Mounting | Mounting Design | Dist. Type | Lens Type | Lamp Power | Lamp Color | Driver Type | Voltage | Housing Mtrl | Heat Sink Finish | Options |
|-------------|-------------------------------|----------|-----------------|------------|--------------------|------------|------------|-------------|-------------------------|--------------|------------------|---------|
| LTSI | A2 | | | | | | | DIM5 | | | | |
| | Size Configuration | | | | Lens Type | | | | Voltage | | | |
| | A2 | | | | 8 | | | | DV | | | |
| | | | | | | | | | CV | | | |
| | | | | | | | | | | | | |
| | Mounting | | | | Lamp Power | | | | Housing Material | | | |
| | C | | | | 90L | | | | 304 | | | |
| | W | | | | 184L | | | | 316 | | | |
| | | | | | 280L | | | | | | | |
| | | | | | 384L | | | | | | | |
| | | | | | 470L | | | | | | | |
| | Mounting Design Detail | | | | Lamp Color | | | | Heat Sink Finish | | | |
| | SM | | | | 30K7 | | | | 1KF | | | |
| | CM | | | | 40K7 | | | | 5KF | | | |
| | | | | | 40K8 | | | | | | | |
| | | | | | 50K7 | | | | | | | |
| | Distribution Type | | | | Driver Type | | | | Options | | | |
| | 2 | | | | DIM5 | | | | FS1 | | | |
| | 3 | | | | | | | | FS2 | | | |
| | 4N | | | | | | | | LPCM | | | |
| | 4W | | | | | | | | | | | |
| | 5S | | | | | | | | | | | |



www.kenall.com | P: 800-4-Kenall | F: 262-891-9700 | 10200 55th Street Kenosha, Wisconsin 53144, USA

This product complies with the Buy American Act: manufactured in the United States with more than 50% of the component cost of US origin. It may be covered by patents found at www.kenall.com/patents. Content of specification sheets is subject to change; please consult www.kenall.com for current product details. ©2023 Kenall Mfg. Co.

A brand of Legrand

LUXTRAN™ Luminaires for Tunnel Applications

LTSI-A2 SERIES

PERFORMANCE

| Lamp - Color Code | Initial Delivered Lumens (lm) | | | | | Efficacy (lm/W) | Input Power (W) | TM-21 Reported L70 (hrs) | Lumen Maintenance @ 50k Hrs |
|-------------------|-------------------------------|--------|---------|---------|---------|-----------------|-----------------|--------------------------|-----------------------------|
| | Type 2 | Type 3 | Type 4N | Type 4W | Type 5S | | | | |
| 90L-30K7 | 14,919 | 13,487 | 15,614 | 15,244 | 15,360 | 136 - 157 | 99 | 150,000 | 95% |
| 90L-40K7 | 15,684 | 14,179 | 16,415 | 16,025 | 16,147 | 143 - 165 | 99 | 150,000 | 95% |
| 90L-40K8 | 14,919 | 13,487 | 15,614 | 15,244 | 15,360 | 136 - 157 | 99 | 150,000 | 95% |
| 90L-50K7 | 15,684 | 14,179 | 16,415 | 16,025 | 16,147 | 143 - 165 | 99 | 150,000 | 95% |
| 184L-30K7 | 29,499 | 26,668 | 30,874 | 30,142 | 30,370 | 126 - 146 | 212 | 125,000 | 92% |
| 184L-40K7 | 31,012 | 28,036 | 32,457 | 31,687 | 31,928 | 132 - 153 | 212 | 125,000 | 92% |
| 184L-40K8 | 29,499 | 26,668 | 30,874 | 30,142 | 30,370 | 126 - 146 | 212 | 125,000 | 92% |
| 184L-50K7 | 31,012 | 28,036 | 32,457 | 31,687 | 31,928 | 132 - 153 | 212 | 125,000 | 92% |
| 280L-30K7 | 41,769 | 37,761 | 43,716 | 42,679 | 43,003 | 120 - 139 | 314 | 120,000 | 89% |
| 280L-40K7 | 43,912 | 39,697 | 45,958 | 44,868 | 45,208 | 127 - 147 | 314 | 120,000 | 89% |
| 280L-40K8 | 41,769 | 37,761 | 43,716 | 42,679 | 43,003 | 120 - 139 | 314 | 120,000 | 89% |
| 280L-50K7 | 43,912 | 39,697 | 45,958 | 44,868 | 45,208 | 127 - 147 | 314 | 120,000 | 89% |
| 384L-30K7 | 53,469 | 48,337 | 55,961 | 54,633 | 55,048 | 110 - 128 | 438 | 110,000 | 87% |
| 384L-40K7 | 56,211 | 50,816 | 58,831 | 57,435 | 57,871 | 116 - 134 | 438 | 110,000 | 87% |
| 384L-40K8 | 53,469 | 48,337 | 55,961 | 54,633 | 55,048 | 110 - 128 | 438 | 110,000 | 87% |
| 384L-50K7 | 56,211 | 50,816 | 58,831 | 57,435 | 57,871 | 116 - 134 | 438 | 110,000 | 87% |
| 470L-30K7 | 60,920 | 55,073 | 63,759 | 62,247 | 62,719 | 112 - 129 | 493 | 100,000 | 85% |
| 470L-40K7 | 64,044 | 57,898 | 67,029 | 65,439 | 65,936 | 117 - 136 | 493 | 100,000 | 85% |
| 470L-40K8 | 60,920 | 55,073 | 63,759 | 62,247 | 62,719 | 112 - 129 | 493 | 100,000 | 85% |
| 470L-50K7 | 64,044 | 57,898 | 67,029 | 65,439 | 65,936 | 117 - 136 | 493 | 100,000 | 85% |

Information above was tested with an outer tempered glass lens. Subject to change without notice. Visit www.kenall.com for IES files and additional information.

LUMEN AMBIENT TEMPERATURE (LAT) FACTORS

| 10°C | 15°C | 20°C | 25°C | 30°C | 35°C | 40°C |
|------|------|------|------|------|------|------|
| 1.03 | 1.02 | 1.01 | 1.00 | 0.99 | 0.98 | 0.97 |



www.kenall.com | P: 800-4-Kenall | F: 262-891-9700 | 10200 55th Street Kenosha, Wisconsin 53144, USA

A brand of **legrand**

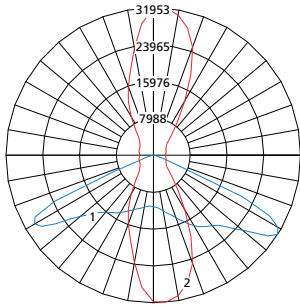
This product complies with the Buy American Act: manufactured in the United States with more than 50% of the component cost of US origin. It may be covered by patents found at www.kenall.com/patents. Content of specification sheets is subject to change; please consult www.kenall.com for current product details. ©2023 Kenall Mfg. Co.

LUXTRAN™ Luminaires for Tunnel Applications

LTSI-A2 SERIES

PERFORMANCE

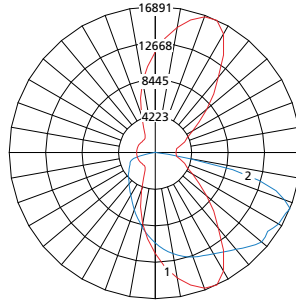
Model: LTSI-A2-C-x-2-8-280L-40K7-DIM5-CV-y-z



Maximum Candela = 31953 Located At Horizontal Angle = 85, Vertical Angle = 57.5

- 1 - Vertical Plane Through Horizontal Angles (85-265) (Through Max. Cd.)
- 2 - Horizontal Cone Through Vertical Angle (57.5) (Through Max. Cd.)

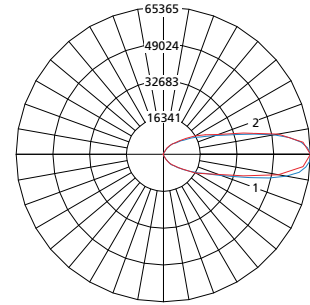
Model: LTSI-A2-C-x-3-8-280L-40K7-DIM5-CV-y-z



Max Candela = 16891 Located At Horizontal Angle = 65, Vertical Angle = 67.5

- 1 - Vertical Plane Through Horizontal Angles (65 - 245) (Through Max. Cd.)
- 2 - Horizontal Cone Through Vertical Angle (67.5) (Through Max. Cd.)

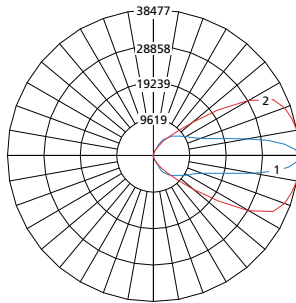
Model: LTSI-A2-W-x-4N-8-280L-40K7-DIM5-CV-y-z



Max Candela = 65365 Located At Horizontal Angle = 0, Vertical Angle = 90

- 1 - Vertical Plane Through Horizontal Angles (0 - 180) (Through Max. Cd.)
- 2 - Horizontal Cone Through Vertical Angle (90) (Through Max. Cd.)

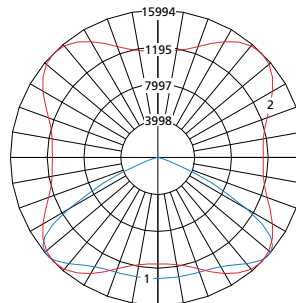
Model: LTSI-A2-C-x-4W-8-280L-40K7-DIM5-CV-y-z



Max Candela = 38477 Located At Horizontal Angle = 10, Vertical Angle = 90

- 1 - Vertical Plane Through Horizontal Angles (10 - 190) (Through Max. Cd.)
- 2 - Horizontal Cone Through Vertical Angle (90) (Through Max. Cd.)

Model: LTSI-A2-W-x-5S-8-280L-40K7-DIM5-CV-y-z



Max Candela = 15994 Located At Horizontal Angle = 45, Vertical Angle = 47.5

- 1 - Vertical Plane Through Horizontal Angles (45 - 225) (Through Max. Cd.)
- 2 - Horizontal Cone Through Vertical Angle (47.5) (Through Max. Cd.)



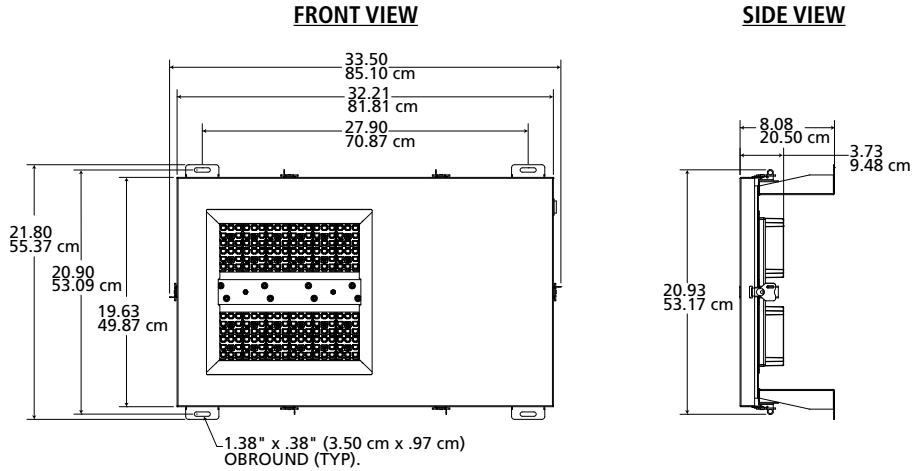
LUXTRAN™
Luminaires for Tunnel Applications

LTSI-A2 SERIES

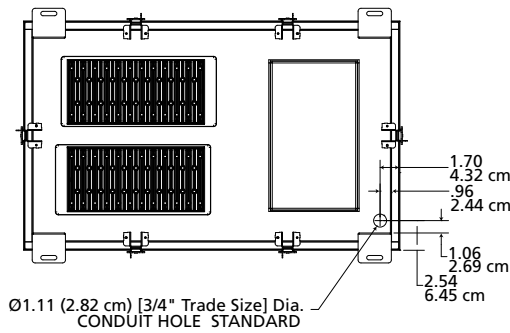
DIMENSIONAL DATA

LAMP POWER

90L/184L/280L

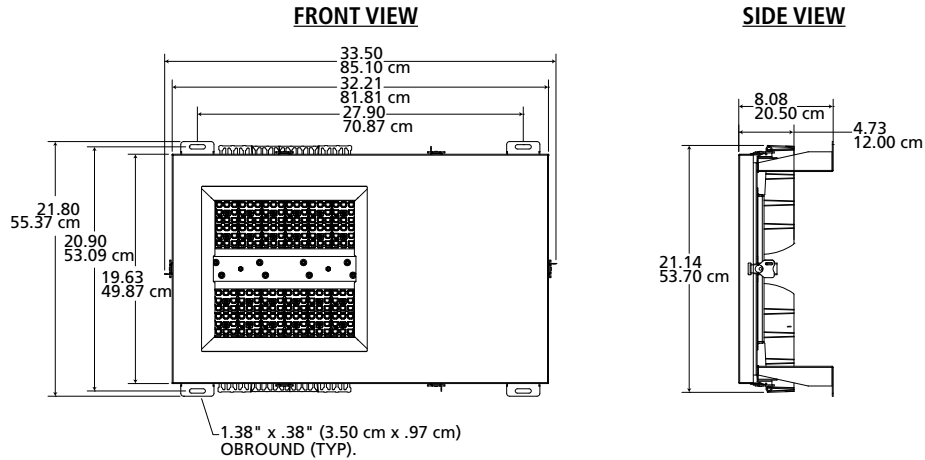


BACK VIEW

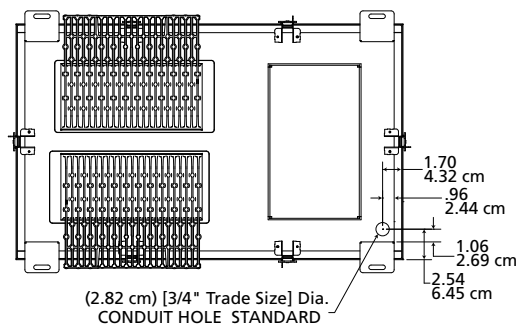


LAMP POWER

384L/470L



BACK VIEW



www.kenall.com | P: 800-4-Kenall | F: 262-891-9700 | 10200 55th Street Kenosha, Wisconsin 53144, USA

A brand of **legrand**

This product complies with the Buy American Act: manufactured in the United States with more than 50% of the component cost of US origin. It may be covered by patents found at www.kenall.com/patents. Content of specification sheets is subject to change; please consult www.kenall.com for current product details. ©2023 Kenall Mfg. Co.