

# MEDMASTER™

## Patient Room Luminaires

### MAC SERIES – LED

#### PRODUCT FEATURES:

- » Surface, recessed grid or recessed flange mount – 1'×4', 2'×2', 2'×4'
- » Central diffuser combined with upper reflectors provide soft, ambient illumination
- » Ingress Barrier Door provides consistent surface for cleanability



#### PROJECT INFORMATION

Job Name \_\_\_\_\_

Fixture Type \_\_\_\_\_

Catalog Number \_\_\_\_\_

Approved by \_\_\_\_\_

#### SPECIFICATIONS

**HOUSING:** 20-gauge CRS. one-piece construction Housing Flanges – 18-gauge CRS, standard 4-piece construction, spotwelded to housing. White TGIC polyester powder coat – 5-stage pre-treatment. Salt spray test 1,000 hours. Reflectance 92%. See Ordering Options for Antimicrobial Finish.

**DOORFRAME:** Heavy duty extruded aluminum with clear satin anodized finish. Doorframe supported to housing with aircraft cables (IB-AC) to provide NSF2 listing, or an optional continuous hinged doorframe (IB-HD). Select in ordering options below. Phillips head stainless steel fasteners secure door to housing – eight (8) with IB-AC (1×4, 2×2), ten (10) with IB-AC (2×4), two (2) with IB-HD (2×2) and three (3) with IB-HD (1×4, 2×4). Extruded closed cell gasket seals doorframe to housing. Outer lens sealed to doorframe with a vinyl gasket.

**OPTICS:** Extruded high-efficiency frosted DR acrylic inner diffuser. Clear impact-resistant acrylic outer lens.

**ELECTRICAL:** Available 3000K, 3500K, 4000K and 5000K color temperatures, 82 CRI. 120-277VAC, 50/60Hz electrical input with serviceable high power factor electronic, constant-current driver (0.95 PF). Standard 0-10V dimming with 1-100% range and dim-to-dark capabilities (non dim-to-dark with 347V); 330µA maximum source current. Optional LVC and LVCD provides a low-voltage patient interface, controlling the lamp source and optional night light with (LVCD) and without (LVC) dimming control. Optional secondary conduit entry available.

**SENSOR & CONTROLS:** Optional sensor available with compatible third party controls. To see the full list of compatible controls, click [here](#).

**INSTALLATION:** **SURFACE MOUNT:** Four .312" diameter holes. **GRID MOUNT:** Designed for 1" and 1.5" grid. (Housing includes hanging brackets to secure housing with wire to super structure). **FLANGE MOUNT:** Yoke mounting hardware & brackets included. Install Frame and Plaster Frames both positively locates yoke brackets within ceiling opening assures alignment of fixture. Install frame has no need for drywall backing; backing is supplied on the frame brackets.

**WARRANTY:** Limited five (5) year warranty.

**LISTINGS:** Luminaire is certified to UL Standards by Intertek Testing Laboratory for Wet Locations and non-IC recessed installations. ETL certified IP65 per IEC 60598. NSF2 Splash Zone (IB-AC only).



#### ORDERING INFORMATION (Ex: MAC24-F-FA-90L40K-DCC-DV-IB-AC-F5)

Model	Mounting	Diffuser	Lamp Type	Driver Type	Voltage	Doorframe	Options	Accessories
				DCC	IB-			
<b>Model</b>			<b>Lamp Type</b>		<b>Input Voltage</b>			
MAC14 1'×4'			1×4		DV 120-277VAC, 50/60Hz			
MAC22 2'×2'			45L30K 45 Watt 3000K LED		347 347VAC, 60Hz			
MAC24 2'×4'			45L35K 45 Watt 3500K LED					
			45L40K 45 Watt 4000K LED					
			45L50K 45 Watt 5000K LED					
<b>Mounting Options</b>			<b>2×2</b>		<b>Doorframe</b>			
F Flange			45L30K 45 Watt 3000K LED		AC Ingress Barrier w/Aircraft Cables			
S Surface			45L35K 45 Watt 3500K LED		HD Ingress Barrier w/Continuous Piano Hinge (not NSF2 listed)			
G Grid (1" and 1.5")			45L40K 45 Watt 4000K LED					
			45L50K 45 Watt 5000K LED					
<b>Diffuser Type</b>			<b>2×4</b>		<b>Options</b>			
FA Frosted Acrylic			45L30K 45 Watt 3000K LED		LEL* 10W LED Emergency Battery Pack (n/a in combination with LVC on 2x2 fixture)			
CAP Clear Acrylic with Perforated Insert			45L35K 45 Watt 3500K LED		AMF Antimicrobial Finish on exposed painted surfaces			
			45L40K 45 Watt 4000K LED		NLW^ 2700K White LED Night Light			
			45L50K 45 Watt 5000K LED		NLA^ Amber LED Night Light			
			67L30K 67 Watt 3000K LED		LVC* Low Voltage Controller (Click <a href="#">here</a> for specifications)			
			67L35K 67 Watt 3500K LED		LVCS* Low Voltage Controller with Secondary Conduit Entry (Click <a href="#">here</a> for specifications)			
			67L40K 67 Watt 4000K LED		LVCD* Low Voltage Controller with Dimming (Click <a href="#">here</a> for specifications)			
			67L50K 67 Watt 5000K LED		LVCDs* Low Voltage Controller with Dimming and Secondary Conduit Entry (Click <a href="#">here</a> for specifications)			
			90L30K 90 Watt 3000K LED		FS Single Fuse & Holder			
			90L35K 90 Watt 3500K LED					
			90L40K 90 Watt 4000K LED		<b>Accessories</b>			
			90L50K 90 Watt 5000K LED		IF† Install Frame			
					PF† Plaster Frame			
			<b>Driver Type</b>					
			DCC 0-10V Dimming Constant Current					

**ACCESSORIES ORDERED SEPARATELY**  
**MPWS** Low Voltage Wall Switch (Click [here](#) for Specifications)



www.kenall.com | P: 800-4-Kenall | F: 262-891-9701 | 10200 55th Street Kenosha, Wisconsin 53144, USA

A brand of Legrand

This product complies with the Buy American Act: manufactured in the United States with more than 50% of the component cost of US origin. It may be covered by patents found at www.kenall.com/patents. Content of specification sheets is subject to change; please consult www.kenall.com for current product details. ©2022 Kenall Mfg. Co.

# MEDMASTER™

## Patient Room Luminaires

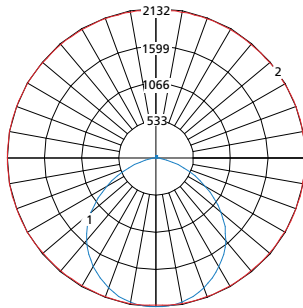
### MAC SERIES – LED

#### PERFORMANCE

Model	Lamp Type	Initial Delivered Lumens		Input Power (W)	Drive Current (mA)	Estd. L70 LED Life (Hrs)
		@ 25°C	Efficacy (lm/W)			
MAC14	45L30K	4,559	93	49	100	80,000
	45L35K	4,700	96	49	100	80,000
	45L40K	4,861	99	49	100	80,000
	45L50K	5,193	106	49	100	80,000
MAC22	45L30K	4,350	89	49	100	80,000
	45L35K	4,484	92	49	100	80,000
	45L40K	4,638	95	49	100	80,000
	45L50K	4,955	101	49	100	80,000
MAC24	45L30K	4,983	102	49	100	80,000
	45L35K	5,137	105	49	100	80,000
	45L40K	5,312	108	49	100	80,000
	45L50K	5,675	116	49	100	80,000
	67L30K	7,580	105	72	75	80,000
	67L35K	7,815	109	72	75	80,000
	67L40K	8,082	112	72	75	80,000
	67L50K	8,634	120	72	75	80,000
	90L30K	9,741	101	97	100	80,000
	90L35K	10,042	104	97	100	80,000
90L40K	10,385	107	97	100	80,000	
90L50K	11,095	115	97	100	80,000	

Displayed information is for type 'FA' diffuser. Apply 0.52 derating factor to provided output values for 'CAP' diffuser option. Photometry tested to the IESNA LM-79-08 standard by an ILAC/ISO17025 accredited laboratory. For photometric data, please go to [www.kenall.com](http://www.kenall.com)

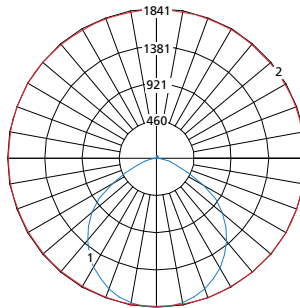
Model: MAC14-x-FA-45L40K-DCC-120-IB-AC



Maximum Candela = 2132 Located At Horizontal Angle = 75, Vertical Angle = 2.5

- 1 - Vertical Plane Through Horizontal Angles (75-255) (Through Max. Cd.)
- 2 - Horizontal Cone Through Vertical Angle (2.5) (Through Max. Cd.)

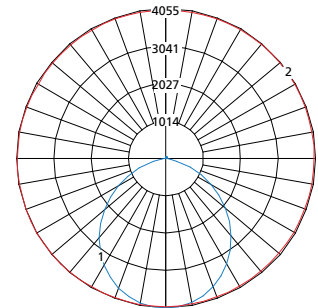
Model: MAC22-x-FA-45L40K-DCC-120-IB-AC



Maximum Candela = 1841 Located At Horizontal Angle = 90, Vertical Angle = 2.5

- 1 - Vertical Plane Through Horizontal Angles (90-270) (Through Max. Cd.)
- 2 - Horizontal Cone Through Vertical Angle (2.5) (Through Max. Cd.)

Model: MAC24-x-FA-90L40K-DCC-120-IB-AC



Maximum Candela = 4055 Located At Horizontal Angle = 75, Vertical Angle = 2.5

- 1 - Vertical Plane Through Horizontal Angles (75-255) (Through Max. Cd.)
- 2 - Horizontal Cone Through Vertical Angle (2.5) (Through Max. Cd.)



[www.kenall.com](http://www.kenall.com) | P: 800-4-Kenall | F: 262-891-9701 | 10200 55th Street Kenosha, Wisconsin 53144, USA

A brand of legrand

This product complies with the Buy American Act: manufactured in the United States with more than 50% of the component cost of US origin. It may be covered by patents found at [www.kenall.com/patents](http://www.kenall.com/patents). Content of specification sheets is subject to change; please consult [www.kenall.com](http://www.kenall.com) for current product details. ©2022 Kenall Mfg. Co.

# MEDMASTER™

## Patient Room Luminaires

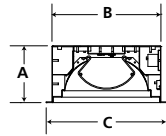
For additional photometry, go to [www.kenall.com](http://www.kenall.com)

### MAC SERIES – LED

#### DIMENSIONAL DATA

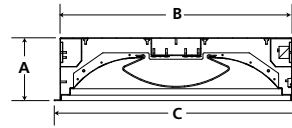
##### GRID DIMENSIONAL DATA (IN INCHES)

	A	B	C	D	E
1x4	5.56	10.60	11.75	46.60	47.75
2x2	6.10	22.60	23.75	22.60	23.75
2x4	6.10	22.60	23.75	46.60	47.75



MAC14

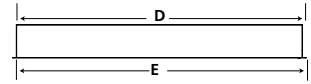
#### CROSS SECTION



MAC22 & MAC24

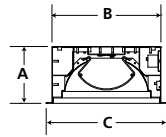
#### GRID MOUNT

#### SIDE VIEW



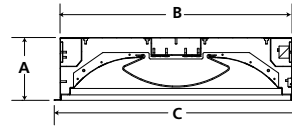
##### FLANGE DIMENSIONAL DATA (IN INCHES)

	A	B	C	D	E	F	G
1x4	5.56	10.60	11.75	46.60	47.75	30.00	5.25
Recommended Ceiling Cutout: 10.88" x 46.88"							
2x2	6.10	22.60	23.75	22.60	23.75	12.00	12.00
Recommended Ceiling Cutout: 22.88" x 22.88"							
2x4	6.10	22.60	23.75	46.60	47.75	30.00	12.00
Recommended Ceiling Cutout: 22.88" x 46.88"							



MAC14

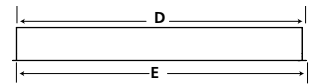
#### CROSS SECTION



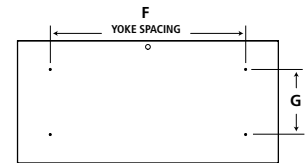
MAC22 & MAC24

#### FLANGE MOUNT

#### SIDE VIEW

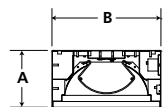


#### TOP VIEW



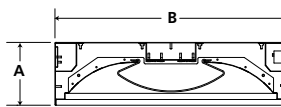
##### SURFACE DIMENSIONAL DATA (IN INCHES)

	A	B	C	D	E
1x4	5.56	10.60	30.00	5.25	46.60
2x2	6.13	22.60	12.00	12.00	22.60
2x4	6.13	22.60	30.00	12.00	46.60



MAC14

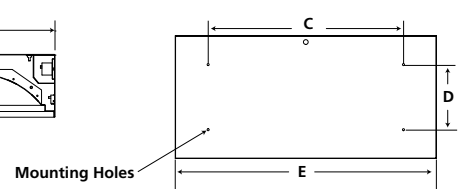
#### CROSS SECTION



MAC22 & MAC24

#### SURFACE MOUNT

#### TOP VIEW



www.kenall.com | P: 800-4-Kenall | F: 262-891-9701 | 10200 55th Street Kenosha, Wisconsin 53144, USA

A brand of **legrand**

This product complies with the Buy American Act: manufactured in the United States with more than 50% of the component cost of US origin. It may be covered by patents found at [www.kenall.com/patents](http://www.kenall.com/patents). Content of specification sheets is subject to change; please consult [www.kenall.com](http://www.kenall.com) for current product details. ©2022 Kenall Mfg. Co.

MAC\_14\_22\_24-012522