

MEDMASTER SOFTSTEP CONTOUR™ STEPLIGHTS

Semi-Recessed Steplight

MCSL SERIES – DIECAST

PRODUCT FEATURES:

- » Semi-recessed wall mount
- » Oval or Rectangle available in horizontal or vertical orientation
- » ADA compliant
- » Amber or White LED lamp options
- » Lumen output adjustable to 100%, 50% and 25% levels



VO



HO



VR



HR

PROJECT INFORMATION

Job Name _____

Fixture Type _____

Catalog Number _____

Approved by _____

SPECIFICATIONS

HOUSING: Die-cast aluminum. TGIC polyester powder coat finish – 5-stage pre-treatment. Salt spray test: 1,000 hours. Antimicrobial finish on all exposed components of installed luminaire. See Ordering Information for finish options.

REFLECTOR: Die cast aluminum reflector with integral heat sink.

LENS: UV-stabilized, high-impact resistant injection molded pearlescent polycarbonate.

MOUNTING PLATE: Die formed corrosion resistant steel.

ELECTRICAL: 120-277VAC, 50/60 Hz Maximum input power 3.8 watts. LED light source available in warm white (ANSI 2700K), neutral white (ANSI 4000K) or amber (600nm). Lumen output adjustable to 100%, 50%, and 25% at time of maintenance or installation. Factory pre-set at 50% dimming level (1.5 watts).

PHOTO CONTROL OPTION: Control circuit shall switch on LED light source when ambient light levels fall below 1fc ± 0.25fc and switch off when light levels are above 4fc ± 0.5fc. Performance may vary depending on location of ambient light sources/windows, room finishes, surrounding objects and fixture lumen output setting.

INSTALLATION: Standard installation requires the back plate to be mounted to a NEMA single-gang junction box (supplied by others). See junction box accessories on page 3 for adjustable thru-wall and single-sided applications. See [SoftStep Contour Junction Box Accessories Tech Sheet](#) for application details. Recommended mounting height is 14" from floor to center of luminaire.

PHOTOMETRICS: Photometry tested to the IESNA LM-79-08 standard by an ILAC/ISO17025 accredited laboratory. For additional photometric data, please go to www.kenall.com.

WARRANTY: Limited five (5) year LED warranty.

LISTINGS: UL and CUL Listed for Wet Location. NSF2 Splash/Non-Food Zone. ADA Compliant. Optional UL certified IP64 per IEC 60598.



ORDERING INFORMATION (Ex: MCSL-VO-MW-2L35K-DV)

Model	Style	Finish	Lamp Type	Voltage	Options	Accessories
MCSL				DV		
	Style		Lamp Type		Options	
	VO Vertical Oval		2L27K 2 Watt 2700K White LED		BPC† Photo Control	
	HO Horizontal Oval		2L30K 2 Watt 3000K White LED		IP64* IP64 Certified to IEC 60598	
	VR Vertical Rectangle		2L35K 2 Watt 3500K White LED		SW•† Rocker Switch	
	HR Horizontal Rectangle		2L40K 2 Watt 4000K White LED			
			2LAMB 2 Watt Amber LED		Accessories	
	Finish		Voltage		DBX Adjustable Thru-Wall Two-Sided Junction Box with Hangers (Requires two steplights per thru-wall junction box.)	
	MW Matte White (Antimicrobial finish)		DV 120-277 Volts		LPBX Single-sided Low Profile Single Gang Junction Box with Hangers	
	MB Matte Black (Antimicrobial finish)				SBX Single-Sided Standard Depth Single Gang Junction Box with Hanger	
	BE Beige					
	BR Bronze					
	CS Cool Satin Painted Anodized					
	WS Warm Satin Painted Anodized					
	CC Custom Color (Consult Factory)					

* Must be selected for outdoor use.
 • Not available with NSF2 listing. Dry location only.
 † Rocker Switch and Photo Control can not be ordered together



www.kenall.com | P: 800-4-Kenall | F: 262-891-9701 | 10200 55th Street Kenosha, Wisconsin 53144, USA

A brand of **legrand**

This product complies with the Buy American Act: manufactured in the United States with more than 50% of the component cost of US origin. It may be covered by patents found at www.kenall.com/patents. Content of specification sheets is subject to change; please consult www.kenall.com for current product details. ©2022 Kenall Mfg. Co.

MEDMASTER SOFTSTEP CONTOUR™ STEPLIGHTS

Semi-Recessed Steplight

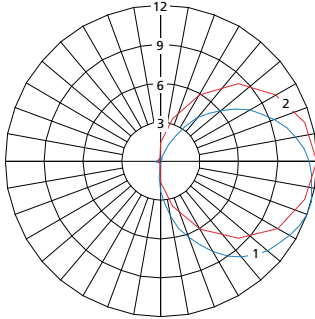
MCSL SERIES – DIECAST

PERFORMANCE

Output	Lamp Type	Initial Delivered Lumens		Input Power (W)	Drive Current (mA)	Estd. L70 LED Life (hrs)
		@ 25°C (lm)	Efficacy (lm/W)			
100%	2L35K	38	12	3.3	300	100,000
50%	2L35K	17	13	1.3	150	125,000
25%	2L35K	5	10	0.5	75	150,000

Displayed information above is for the horizontal oval (MCSL-HO) luminaires only. Info subject to change. Visit www.kenall.com for IES files and additional information.

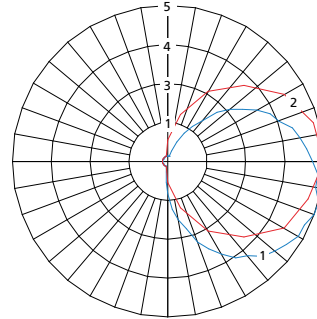
Model: MCSL-HO-MW-2LXXK 100%



Max Candela = 12 Located At Horizontal Angle = 0, Vertical Angle = 70

- 1 - Vertical Plane Through Horizontal Angles (0 - 180) (Through Max. Cd.)
- 2 - Horizontal Cone Through Vertical Angle (70) (Through Max. Cd.)

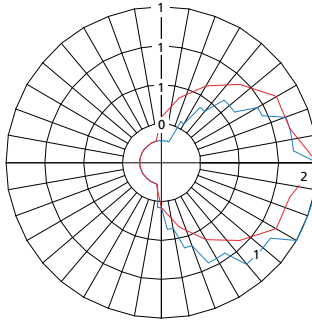
Model: MCSL-HO-MW-2LXXK 50%



Max Candela = 5 Located At Horizontal Angle = 0, Vertical Angle = 70

- 1 - Vertical Plane Through Horizontal Angles (0 - 180) (Through Max. Cd.)
- 2 - Horizontal Cone Through Vertical Angle (70) (Through Max. Cd.)

Model: MCSL-HO-MW-2LXXK 25%



Max Candela = 1 Located At Horizontal Angle = 0, Vertical Angle = 60

- 1 - Vertical Plane Through Horizontal Angles (0 - 180) (Through Max. Cd.)
- 2 - Horizontal Cone Through Vertical Angle (60) (Through Max. Cd.)

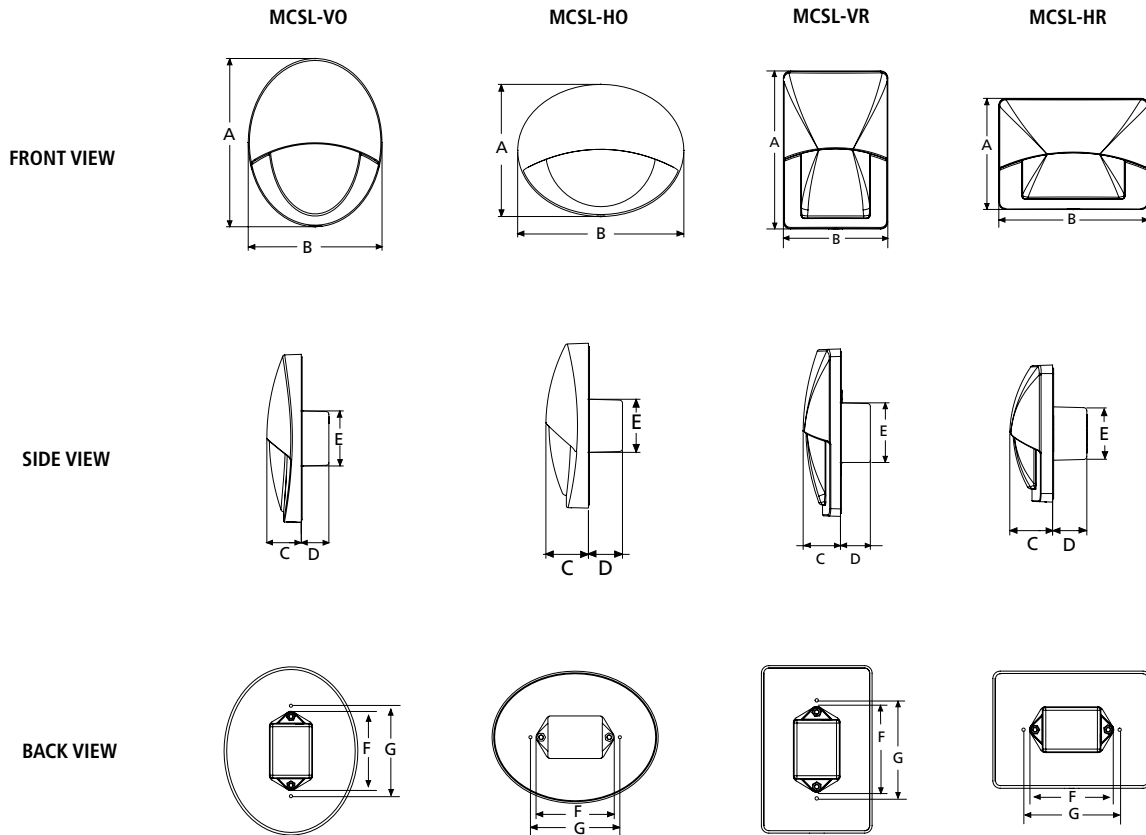


MEDMASTER SOFTSTEP CONTOUR™ STEPLIGHTS

Semi-Recessed Steplight

MCSL SERIES – DIECAST

DIMENSIONAL DATA



DIMENSIONAL DATA (IN INCHES)									
	A	B	C	D	E	F	G	H	I
VO	6.10	4.85	1.25	1.00	2.00	2.87	3.28	2.37	4.25
HO	4.85	6.10	1.25	1.00	1.56	2.87	3.28	4.25	2.37
VR	5.60	3.70	1.25	1.00	2.00	2.87	3.28	2.37	4.25
HR	4.00	5.38	1.25	1.00	1.56	2.87	3.28	4.25	2.37

RECOMMENDED WALL CUT-OUT	
	HEIGHT x WIDTH
VO	4.25 x 2.37
HO	2.37 x 4.25
VR	4.25 x 2.37
HR	2.37 x 4.25

