

MEDMASTER DOWNLIGHT

Luminaires for Medical Applications

MDL4 SERIES

PROJECT INFORMATION

Job Name _____

Fixture Type _____

Catalog Number _____

Approved by _____

PRODUCT FEATURES:

- » 4" sealed, recessed downlight with round or square aperture
- » Delivered lumens: 983 - 2,640 lm
- » 1% Dimming via 0-10V or DALI control



Round



Square

SPECIFICATIONS

HEAT SINK: Die-cast aluminum with external radial fins for natural convection.

ROUGH-IN FRAME: 18-gauge die-formed, corrosion-resistant steel. Vertically adjustable collar accommodates ceiling thicknesses up to 2", adjustable post-installation. Adjustable mounting bars for installation with wood and steel frame joists and T-grid ceiling systems spaced up to 24" on center. Quick-access junction box accessible post-installation from above and below ceiling. Includes (5) 1/2" knock-outs to allow straight conduit runs.

TRIM/HOUSING SECTION: IP-rated housing section incorporates the heat sink, LED module, optics and lower trim. Regressed lens trim is secured to the Rough-In frame with hidden torsion springs. Anti-microbial finish standard on all exposed painted surfaces.

OPTICAL: High-Efficiency mixing chamber design with regressed diffused acrylic lens producing uniform light output. Round or square aperture. Available with various reflector finishes. See Reflector Finish Ordering Information for available options.

ELECTRICAL: LED array available in multiple CCT and CRI combinations with a maximum 3-step MacAdam variation allowance. See Trim Ordering Information for available options. 120-277VAC or 347VAC, 50/60Hz electrical input with serviceable constant current driver (<20% THD, >0.90 PF). Minimum 85% driver efficiency. Standard 0-10V dimming with 1-100% range and dim-to-dark capabilities (non dim-to-dark with 347V); 165µA maximum source current. Optional eldoLED ECOdrive DALI driver with 1-100% range.

PHOTOMETRICS: Photometry tested to the IESNA LM-79-08 standard by an ILAC/ISO17025 accredited laboratory. For photometric information, go to www.kenall.com.

WARRANTY: Limited five (5) year LED warranty.

LISTINGS: Luminaire is certified to UL standards by Intertek Testing Laboratory for non-IC and Wet Location installations. IP64 rating per IEC60598. NSF2 Splash/Non-Food Zone. Optional CCEA compliant.



ORDERING INFORMATION (EX: MDL4-DCFW-14L-35K8-FW-RIG4-277-DIM1-LEL)

TRIM					ROUGH-IN			
Model	Trim Finish	Lamp Power	Lamp Color	Reflector Finish	Rough-In	Input Voltage	Driver Type	Options
DCFW								
Model			Lamp Color		Rough-In			
MDL4	4" Medical - Round		30K8	3000K / 80 CRI min.	RIG4	4" Medical Rough-In - Round		
MDL4S	4" Medical - Square		30K9	3000K / 90 CRI min.	RIG4S	4" Medical Rough-In - Square		
Trim Finish			35K8	3500K / 80 CRI min.				
DCFW	Die-Cast Aluminum in Flat White		35K9	3500K / 90 CRI min.	Input Voltage			
Lamp Power			40K8	4000K / 80 CRI min.	120	120VAC, 50/60Hz		
14L	14 Watt LED		40K9	4000K / 90 CRI min.	277	277VAC, 50/60Hz		
28L*	28 Watt LED		50K8	5000K / 80 CRI min.	347†	347VAC, 60Hz		
			Reflector Finish		Driver Type			
			FW	Flat White	DIM1	0-10V Dimming to 1%		
			CD	Clear Diffuse	DALI	DALI Dimming to 1%		
			CS	Clear Specular (square only)	Options			
			CSS	Clear Semi-Specular (round only)	LEL	Emergency Battery Backup with Remote Test Switch		
					FS	Fuse & Holder		
					CCEA	CCEA Approved (n/a 347V)		

† N/A with DALI Driver Type. N/A with LEL option

* Must be installed with a minimum 24" on-center spacing, 12" from wall, and have 1/2" clearance above the Trim/Housing



www.kenall.com | P: 800-4-Kenall | F: 262-891-9701 | 10200 55th Street Kenosha, Wisconsin 53144, USA

A brand of **legrand**

This product complies with the Buy American Act: manufactured in the United States with more than 50% of the component cost of US origin. It may be covered by patents found at www.kenall.com/patents. Content of specification sheets is subject to change; please consult www.kenall.com for current product details. ©2022 Kenall Mfg. Co.

MEDMASTER DOWNLIGHT

Luminaires for Medical Applications

For additional photometry, go to www.kenall.com

MDL4 SERIES

PERFORMANCE

Optic		Lamp Power	Initial Delivered Lumens, By Lamp Color							Efficacy (lm/W)	Input Power (W)	Estd. L70 LED Life (hrs)
Reflector	Reflector Finish		30K8	30K9	35K8	35K9	40K8	40K9	50K8			
Round	CD	14L	1,175	983	1,175	995	1,222	995	1,249	61 - 78	16	80,000
		28L	2,152	1,800	2,152	1,822	2,239	1,822	2,287	58 - 74	31	85,000
	CSS	14L	1,248	1,044	1,248	1,056	1,298	1,056	1,326	65 - 83	16	80,000
		28L	2,286	1,911	2,286	1,934	2,377	1,934	2,428	62 - 78	31	85,000
	FW	14L	1,303	1,090	1,303	1,103	1,355	1,103	1,385	68 - 87	16	80,000
		28L	2,387	1,996	2,387	2,020	2,482	2,020	2,536	64 - 82	31	85,000
Square	CD	14L	1,251	1,046	1,251	1,059	1,301	1,059	1,329	65 - 83	16	80,000
		28L	2,291	1,916	2,291	1,939	2,383	1,939	2,435	62 - 79	31	85,000
	CS	14L	1,357	1,134	1,357	1,148	1,411	1,148	1,442	71 - 90	16	80,000
		28L	2,485	2,078	2,485	2,103	2,584	2,103	2,640	67 - 85	31	85,000
	FW	14L	1,350	1,129	1,350	1,142	1,404	1,142	1,434	71 - 90	16	80,000
		28L	2,472	2,067	2,472	2,092	2,571	2,092	2,627	67 - 85	31	85,000

Subject to change without notice. Visit www.kenall.com for ies files and additional information.

Round Aperture Candela Curve	MDL4-DCFV-14L-40K8-FW		Distance to illuminated plane (ft)	MDL4S-DCFV-14L-40K8-FW		Square Aperture Candela Curve
	Initial center beam foot-candles	Beam diameter (ft)		Initial center beam foot-candles	Beam diameter (ft)	
	23.8	4.2	5'	22.9	4.3	
	16.5	5.3	6'	15.9	5.6	
	12.2	6.2	7'	11.7	6.8	
	9.3	7.1	8'	9.0	7.7	
	7.3	8.0	9'	7.1	8.7	
	5.9	9.0	10'	5.7	9.7	
Spacing Criteria: 0.88	foot-candle multipliers for 30K8(.96), 30K9(.80), 35K8(.96), 35K9(.81), 40K9(.81), 50K8(1.0)					Spacing Criteria: 0.92
Beam Angle: 57.1	Beam diameter is where foot-candles drop to 50% of maximum					Beam Angle: 58.6

Round Aperture Candela Curve	MDL4-DCFV-28L-40K8-FW		Distance to illuminated plane (ft)	MDL4S-DCFV-28L-40K8-FW		Square Aperture Candela Curve
	Initial center beam foot-candles	Beam diameter (ft)		Initial center beam foot-candles	Beam diameter (ft)	
	43.6	4.2	5'	42.0	4.3	
	30.3	5.4	6'	29.2	5.6	
	22.3	6.3	7'	21.4	6.8	
	17.0	7.1	8'	16.4	7.7	
	13.5	8.0	9'	13.0	8.6	
	10.9	8.9	10'	10.5	9.6	
Spacing Criteria: 0.88	foot-candle multipliers for 30K8(.96), 30K9(.80), 35K8(.96), 35K9(.81), 40K9(.81), 50K8(1.0)					Spacing Criteria: 0.92
Beam Angle: 57.1	Beam diameter is where foot-candles drop to 50% of maximum					Beam Angle: 58.6



www.kenall.com | P: 800-4-Kenall | F: 262-891-9701 | 10200 55th Street Kenosha, Wisconsin 53144, USA

A brand of Legrand

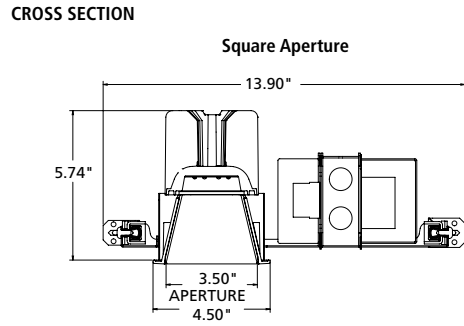
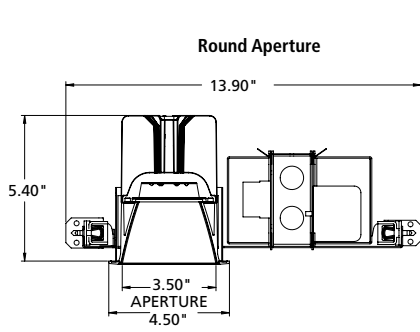
This product complies with the Buy American Act: manufactured in the United States with more than 50% of the component cost of US origin. It may be covered by patents found at www.kenall.com/patents. Content of specification sheets is subject to change; please consult www.kenall.com for current product details. ©2022 Kenall Mfg. Co.

MEDMASTER DOWNLIGHT

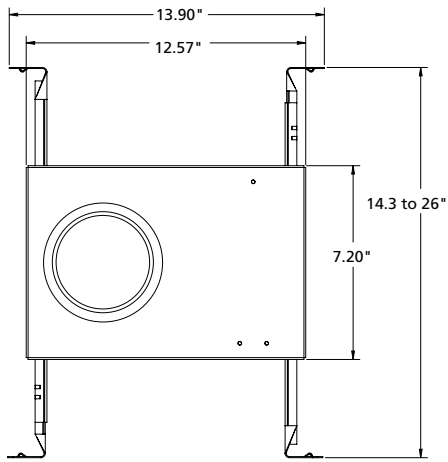
Luminaires for Medical Applications

MDL4 SERIES

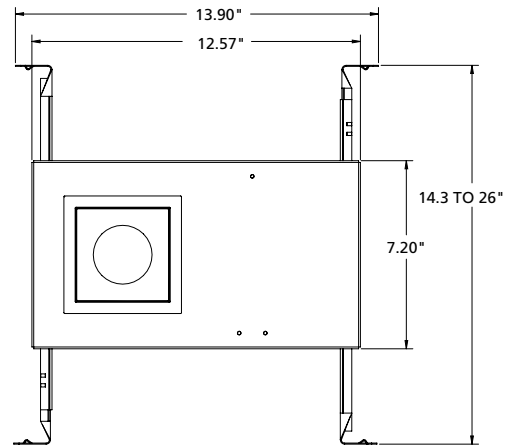
DIMENSIONAL DATA



BOTTOM VIEW



RECOMMENDED CEILING CUTOUT: 4.125" DIA.



RECOMMENDED CEILING CUTOUT: 4.125" x 4.125"



www.kenall.com | P: 800-4-Kenall | F: 262-891-9701 | 10200 55th Street Kenosha, Wisconsin 53144, USA

A brand of **legrand**

This product complies with the Buy American Act: manufactured in the United States with more than 50% of the component cost of US origin. It may be covered by patents found at www.kenall.com/patents. Content of specification sheets is subject to change; please consult www.kenall.com for current product details. ©2022 Kenall Mfg. Co.