

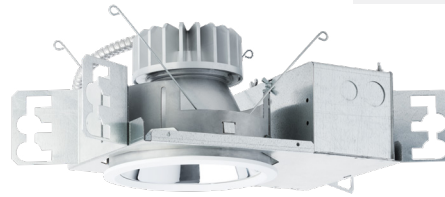
MEDMASTER DOWNLIGHT

Luminaires for Medical Applications

MDL SERIES using Indigo-Clean Technology

PRODUCT FEATURES:

- » 6" sealed, recessed downlight with regressed or flush lens trim
- » Provides on-demand environmental disinfection via LED light
- » Single, white disinfection mode
- » Independent laboratory tested to kill harmful bacteria, including Staph*, such as MRSA**
- » Delivered Lumens: 1,258 - 3,153 lm
- » 1% Dimming via 0-10V or DALI control



PROJECT INFORMATION

Job Name _____

Fixture Type _____

Catalog Number _____

Approved by _____

SPECIFICATIONS

HEAT SINK: Die-cast aluminum with external radial fins for natural convection.

ROUGH-IN FRAME: 18-gauge die-formed, corrosion-resistant steel. Vertically adjustable collar accommodates ceiling thicknesses up to 2", adjustable post-installation. Universal mounting brackets accept 3/4" and 1-1/2" lathers channel, 1/2" EMT conduit and hanger bars. Quick-access junction box accessible post-installation from above and below ceiling. Includes (4) 1/2" and (2) 3/4" knock-outs to allow straight conduit runs. Listed for (8) 12AWG, 90°C conductors and feed-thru branch wiring. Provided with FMC with electrical quick-connect to Trim Section.

TRIM/HOUSING SECTION: IP-rated housing section incorporates the heat sink, LED module, optics and lower trim. Configurable with an IP64-rated Regressed or Flush lens trim that is secured to the Rough-In frame with hidden torsion springs, and an IP65 Flush lens trim secured with four (4) Phillips-head, captive fasteners. Anti-microbial finish standard on all exposed painted surfaces. See trim ordering information for available options.

OPTICAL: High-efficiency mixing chamber design with regressed diffused tempered-glass lens produces uniform light output. Available with various reflector distribution patterns and finishes. Flush lens trim options include a clear lens. See distribution and reflector finish ordering information for available options.

ELECTRICAL: Single, white disinfection mode. Serviceable white and 405nm Indigo LED array. Available 3200K, 3700K and 4300K color temperature with 3-step MacAdam variation allowance. Minimum 82 CRI standard. 120-277VAC and 347VAC, 50/60Hz electrical input with serviceable high power factor electronic, constant-current drivers (<10% THD, >0.90 PF). Minimum 85% driver efficiency. Standard 0-10V dimming with 1-100% range and dim-to-dark capabilities (non dim-to-dark with 347V); 165µA maximum source current. Optional eldoLED ECOdrive DALI driver with 1-100% range.

PHOTOMETRICS: Photometry tested to the IESNA LM-79-08 standard by an ILAC/ISO17025 accredited laboratory. For photometric information, go to www.kenall.com.

WARRANTY: Limited five (5) year LED warranty.

LISTINGS: Luminaire is certified to UL standards by Intertek Testing Laboratory for non-IC and Wet Location installations. IP64 and IP65 rating per IEC60598. NSF2 Splash/Non-Food Zone. Optional CCEA compliance. EPA Est. No. 99283-WI-1.

* Per independent lab report #SGS-09S17036476. Contact Kenall for a copy of this report.

**Antimicrobial Activity of a Continuous Visible Light Disinfection System by Rutala, et. al, ID Week 2016.



ORDERING INFORMATION (EX: MDL6-R-5BR-22C-37K8-W-CS-RIG6-DV-DIM1)

TRIM

Model Trim Style Trim Finish Lamp Power Lamp Color Distribution Reflector Finish Flush Lens Type

MDL6

Trim Style

R Regressed Lens (IP64)
NF Flush Lens (Without Fasteners - IP64)
FF Flush Lens (With Fasteners - IP65)

Trim Finish

DCFW Die-Cast Aluminum in Flat White (R and NF Trim Style)
2FW Cold-Rolled Steel in Flat White
5BR Type 304 Stainless Steel with 4B Brushed Finish

Lamp Power

22C 22 Watt White & Indigo LED
38C† 38 Watt White & Indigo LED

Lamp Color

32K8 3200K / 80 CRI min.
37K8 3700K / 80 CRI min.
43K8 4300K / 80 CRI min.

Distribution

M Medium
W Wide

Reflector Finish

FW Flat White
CS Clear Specular
CSS Clear Semi-Specular

Flush Lens Type (n/a Regressed Trim Style)

T 1/8" Clear High-Impact Acrylic

ROUGH-IN

Rough-In Input Voltage Driver Type Options

RIG6

Rough-In

RIG6 6" Rough-In

Input Voltage

DV 120-277V, 50/60Hz
120 120VAC, 60Hz
277 277VAC, 60Hz
347▲ 347VAC, 60Hz

Driver Type

DIM1 0-10V Dimming to 1%
DALI DALI Dimming to 1%

Options

LEL Emergency Battery Backup with Remote Test Switch
FS Fuse & Holder
CCEA CCEA Approved (specified voltage required; n/a 347V)

▲ N/A with DALI Driver Type. N/A with LEL option
 † Must be installed with a minimum 24" on-center spacing, 12" from wall, and have 3" clearance above the Trim/Housing



www.kenall.com | P: 800-4-Kenall | F: 262-891-9701 | 10200 55th Street Kenosha, Wisconsin 53144, USA

A brand of **legrand**

This product complies with the Buy American Act: manufactured in the United States with more than 50% of the component cost of US origin. It may be covered by patents found at www.kenall.com/patents. Content of specification sheets is subject to change; please consult www.kenall.com for current product details. ©2019 Kenall Mfg. Co.

MDL6-ICT-061021

MEDMASTER DOWNLIGHT

Luminaires for Medical Applications

MDL SERIES using Indigo-Clean Technology

PERFORMANCE - REGRESSED LENS

| Optic | | Lamp Power | Initial Delivered Lumens, By Lamp Color | | | Input Power (W) | Estd. L70 LED Life (hrs) |
|--------------|------------------|------------|---|-------|-------|-----------------|--------------------------|
| Distribution | Reflector Finish | | 32K8 | 37K8 | 43K8 | | |
| M | CS | 22C | 1,737 | 1,737 | 1,850 | 24 | 75,000 |
| | | 38C | 2,780 | 2,780 | 2,960 | 45 | 60,000 |
| | CSS | 22C | 1,456 | 1,456 | 1,551 | 24 | 75,000 |
| | | 38C | 2,331 | 2,331 | 2,482 | 45 | 60,000 |
| | FW | 22C | 1,523 | 1,523 | 1,622 | 24 | 75,000 |
| | | 38C | 2,438 | 2,438 | 2,596 | 45 | 60,000 |
| W | CS | 22C | 1,822 | 1,822 | 1,940 | 24 | 75,000 |
| | | 38C | 2,916 | 2,916 | 3,105 | 45 | 60,000 |
| | CSS | 22C | 1,603 | 1,603 | 1,707 | 24 | 75,000 |
| | | 38C | 2,566 | 2,566 | 2,732 | 45 | 60,000 |
| | FW | 22C | 1,850 | 1,850 | 1,970 | 24 | 75,000 |
| | | 38C | 2,961 | 2,961 | 3,153 | 45 | 60,000 |

Subject to change without notice. Visit www.kenall.com for ies files and additional information.

| Wide Distribution Candela Curve | MDL6-R-22C-37K8-W-CS | | Distance to illuminated plane (ft) | MDL6-R-22C-37K8-M-CS | | Medium Distribution Candela Curve |
|------------------------------------|--|-----------------------|---------------------------------------|-------------------------------------|-----------------------|--------------------------------------|
| | Initial center beam foot-candles | Beam diameter (ft) | | Initial center beam foot-candles | Beam diameter (ft) | |
| | 42.0 | 7.5 | 5' | 134.6 | 3.3 | |
| | 33.7 | 7.8 | 6' | 93.5 | 3.6 | |
| | 24.7 | 9.0 | 7' | 68.7 | 4.2 | |
| | 18.9 | 10.5 | 8' | 52.6 | 4.7 | |
| | 15.0 | 12.0 | 9' | 41.6 | 5.4 | |
| | 12.1 | 13.0 | 10' | 33.7 | 6.0 | |
| Spacing Criteria: 1.42 | foot-candle multipliers for 32K8(1.0), 43K8(1.1) | | | | | Spacing Criteria: 0.64 |
| Beam Angle: 60° | Beam diameter is where foot-candles drop to 50% of maximum | | | | | Beam Angle: 31° |

| Wide Distribution Candela Curve | MDL6-R-38C-37K8-W-CS | | Distance to illuminated plane (ft) | MDL6-R-38C-37K8-M-CS | | Medium Distribution Candela Curve |
|------------------------------------|--|-----------------------|---------------------------------------|-------------------------------------|-----------------------|--------------------------------------|
| | Initial center beam foot-candles | Beam diameter (ft) | | Initial center beam foot-candles | Beam diameter (ft) | |
| | 67.2 | 7.8 | 5' | 215.5 | 3.3 | |
| | 53.9 | 8.0 | 6' | 149.6 | 3.6 | |
| | 39.5 | 9.2 | 7' | 109.9 | 4.2 | |
| | 30.3 | 10.7 | 8' | 84.2 | 4.8 | |
| | 24.0 | 12.0 | 9' | 66.5 | 5.4 | |
| | 19.4 | 13.0 | 10' | 53.9 | 6.0 | |
| Spacing Criteria: 1.42 | foot-candle multipliers for 32K8(1.0), 43K8(1.1) | | | | | Spacing Criteria: 0.64 |
| Beam Angle: 60° | Beam diameter is where foot-candles drop to 50% of maximum | | | | | Beam Angle: 31° |



www.kenall.com | P: 800-4-Kenall | F: 262-891-9701 | 10200 55th Street Kenosha, Wisconsin 53144, USA

A brand of **legrand**

This product complies with the Buy American Act: manufactured in the United States with more than 50% of the component cost of US origin. It may be covered by patents found at www.kenall.com/patents. Content of specification sheets is subject to change; please consult www.kenall.com for current product details. ©2019 Kenall Mfg. Co.

MEDMASTER DOWNLIGHT

Luminaires for Medical Applications

MDL SERIES using Indigo-Clean Technology

PERFORMANCE - FLUSH LENS

| Optic | | Lamp Power | Initial Delivered Lumens, By Lamp Color | | | Input Power (W) | Estd. L70 LED Life (hrs) |
|--------------|------------------|------------|---|-------|-------|-----------------|--------------------------|
| Distribution | Reflector Finish | | 32K8 | 37K8 | 43K8 | | |
| M | CS | 22C | 1,357 | 1,357 | 1,445 | 24 | 80,000 |
| | | 38C | 2,172 | 2,172 | 2,313 | 45 | 75,000 |
| | CSS | 22C | 1,274 | 1,274 | 1,357 | 24 | 80,000 |
| | | 38C | 2,039 | 2,039 | 2,171 | 45 | 75,000 |
| | FW | 22C | 1,258 | 1,258 | 1,340 | 24 | 80,000 |
| | | 38C | 2,014 | 2,014 | 2,145 | 45 | 75,000 |
| W | CS | 22C | 1,528 | 1,528 | 1,627 | 24 | 80,000 |
| | | 38C | 2,445 | 2,445 | 2,604 | 45 | 75,000 |
| | CSS | 22C | 1,297 | 1,297 | 1,381 | 24 | 80,000 |
| | | 38C | 2,075 | 2,075 | 2,210 | 45 | 75,000 |
| | FW | 22C | 1,437 | 1,437 | 1,530 | 24 | 80,000 |
| | | 38C | 2,299 | 2,299 | 2,448 | 45 | 75,000 |

Subject to change without notice. Visit www.kenall.com for ies files and additional information.

| Wide Distribution Candela Curve | MDL6-FF-22C-37K8-W-CS-T | | Distance to illuminated plane (ft) | MDL6-FF-22C-37K8-M-CS-T | | Medium Distribution Candela Curve |
|------------------------------------|--|-----------------------|---------------------------------------|-------------------------------------|------------------------|--------------------------------------|
| | Initial center beam foot-candles | Beam diameter (ft) | | Initial center beam foot-candles | Beam diameter (ft) | |
| | 35.4 | 7.7 | 5' | 107.5 | 3.2 | |
| | 28.0 | 7.8 | 6' | 74.7 | 3.5 | |
| | 20.5 | 9.2 | 7' | 54.9 | 4.0 | |
| | 15.7 | 10.5 | 8' | 42.0 | 4.6 | |
| | 12.5 | 11.6 | 9' | 33.2 | 5.2 | |
| | 10.1 | 13.0 | 10' | 26.9 | 5.8 | |
| Spacing Criteria: 1.4 | foot-candle multipliers for 32K8(1.0), 43K8(1.1) | | | | Spacing Criteria: 0.62 | |
| Beam Angle: 59° | Beam diameter is where foot-candles drop to 50% of maximum | | | | Beam Angle: 34° | |

| Wide Distribution Candela Curve | MDL6-FF-38C-37K8-W-CS-T | | Distance to illuminated plane (ft) | MDL6-FF-38C-37K8-M-CS-T | | Medium Distribution Candela Curve |
|------------------------------------|--|-----------------------|---------------------------------------|-------------------------------------|------------------------|--------------------------------------|
| | Initial center beam foot-candles | Beam diameter (ft) | | Initial center beam foot-candles | Beam diameter (ft) | |
| | 56.7 | 7.7 | 5' | 172.1 | 3.2 | |
| | 44.8 | 7.8 | 6' | 119.5 | 3.5 | |
| | 32.8 | 9.2 | 7' | 87.8 | 4.0 | |
| | 25.1 | 10.5 | 8' | 67.2 | 4.6 | |
| | 20.0 | 11.6 | 9' | 53.1 | 5.2 | |
| | 16.2 | 13.0 | 10' | 43.0 | 5.8 | |
| Spacing Criteria: 1.4 | foot-candle multipliers for 32K8(1.0), 43K8(1.1) | | | | Spacing Criteria: 0.62 | |
| Beam Angle: 59° | Beam diameter is where foot-candles drop to 50% of maximum | | | | Beam Angle: 34° | |



www.kenall.com | P: 800-4-Kenall | F: 262-891-9701 | 10200 55th Street Kenosha, Wisconsin 53144, USA

A brand of Legrand

This product complies with the Buy American Act: manufactured in the United States with more than 50% of the component cost of US origin. It may be covered by patents found at www.kenall.com/patents. Content of specification sheets is subject to change; please consult www.kenall.com for current product details. ©2019 Kenall Mfg. Co.

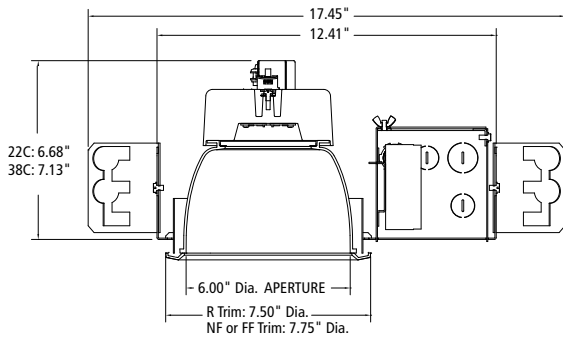
MEDMASTER DOWNLIGHT

Luminaires for Medical Applications

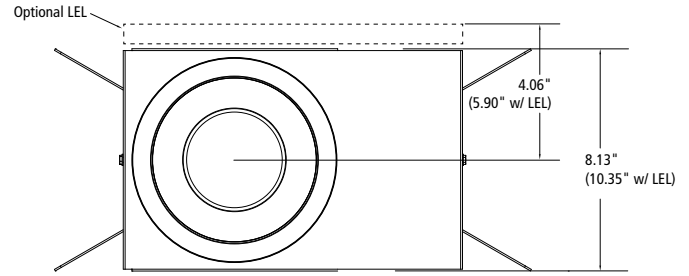
MDL SERIES using Indigo-Clean Technology

DIMENSIONAL DATA

CROSS SECTION



BOTTOM VIEW



RECOMMENDED CEILING CUT-OUT

R and NF Trims: 7.13" Dia.

FF Trims: 7.38" Dia.



www.kenall.com | P: 800-4-Kenall | F: 262-891-9701 | 10200 55th Street Kenosha, Wisconsin 53144, USA

A brand of **legrand**

This product complies with the Buy American Act: manufactured in the United States with more than 50% of the component cost of US origin. It may be covered by patents found at www.kenall.com/patents. Content of specification sheets is subject to change; please consult www.kenall.com for current product details. ©2019 Kenall Mfg. Co.

MDL6-ICT-061021