

MILLENIUM METREX™

METER SERIES

PRODUCT FEATURES:

- » Surface mount – wall or ceiling
- » Emergency Remote Unit
- » ADA compliant
- » 16-gauge cold rolled steel baseplate
- » UV-stabilized high impact clear wraparound polycarbonate lens



PROJECT INFORMATION

Job Name _____

Fixture Type _____

Catalog Number _____

Approved by _____

SPECIFICATIONS

LENS/HOUSING: One-piece wraparound lens/housing, UV-stabilized, high impact, virgin injection molded polycarbonate. Nominal thickness .120".

BASEPLATE: 16-gauge CRS. Baseplate provided with four-point mounting holes, one wireway hole – see Cross Section/Details. White TGIC polyester powder coat – 5-stage pre-treatment. Salt spray test: 1,000 hours; Reflectance: 92%.

GASKET: Die-cut closed cell neoprene gasket seals lens/housing to mounting surface.

HARDWARE: Four stainless steel Torx® T-20 with center pin fasteners secure lens/housing to baseplate.

ELECTRICAL: 12V AC or DC operation. Field adjustable emergency lamps. Powered by external 12VDC power supply as provided by Kenall METEC, METEL or METELHC.

INSTALLATION: Standard four-point mounting required for Peace of Mind Guarantee®.

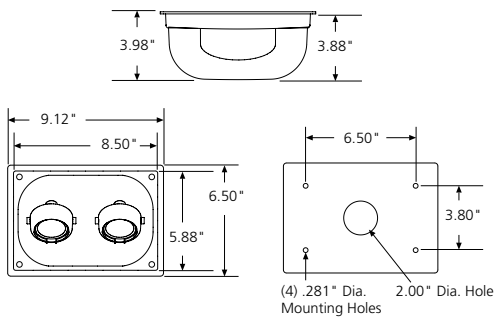
LISTINGS: UL and CUL listed for Wet Location. Meets or exceeds UL924 and NFPA 101 standards.



ORDERING INFORMATION (Ex: METER-MW-2-6.5L-12VAC/DC)

Model	Finish	Lamp Qty	Lamp Type	Voltage	Options
METER			6.5L	12VAC/DC	
	Finish	Lamp Quantity		Voltage	
	MB Matte Black	1 1 Internal Lamp		12VAC/DC 12 Volt AC/DC	
	MW Matte White	2 2 Internal Lamps			
		Lamp Wattage/Type		Options	
		6.5L 6.5W LED		PH Phillips Head Fasteners	

DIMENSIONAL DATA



www.kenall.com | P: 800-4-Kenall | F: 262-891-9701 | 10200 55th Street Kenosha, Wisconsin 53144, USA

A brand of  Legrand

This product complies with the Buy American Act: manufactured in the United States with more than 50% of the component cost of US origin. It may be covered by patents found at www.kenall.com/patents. Content of specification sheets is subject to change; please consult www.kenall.com for current product details. ©2022 Kenall Mfg. Co.