

MILLENIUM METREX™

METESW SERIES

PRODUCT FEATURES:

- » Surface wall mount – Single Face
- » Indirect LED with life up to 50,000 hours
- » Cooler operation and simpler testing protocol



PROJECT INFORMATION

Job Name _____

Fixture Type _____

Catalog Number _____

Approved by _____

SPECIFICATIONS

HOUSING: High impact, injection molded polycarbonate. Housing provided with four-point mounting holes, one wireway hole and temporary junction box mounting drill points – see Cross Section/Details. Closed cell die-cut Neoprene gasket seals housing to mounting surface.

SHIELD: UV-stabilized, high impact, injection molded clear polycarbonate. Nominal thickness .120". Corrosion resistant Phillips head fasteners secure shield to housing. Continuous closed cell silicone gasket seals shield to housing.

LEGEND: Legend illuminated by internal high output LEDs. Lettering height and stroke determined by legend option. Polycarbonate red or green filter panels. Stencil is 18-gauge laser cut steel with TGIC polyester powder coat finish to match housing.

ELECTRICAL: 624 nm Red, or 527 nm Green LED light source. Electrical components mounted to removable high impact, injection molded polycarbonate chassis. Drill points provided for optional conduit entry.

OPTIONS: Sealed nickel-cadmium Emergency Battery Pack (EL) with standard deep cycle battery conditioning, self test and self diagnostic circuitry, remote laser activated test switch, protected mechanical test switch and status indicator. Provides 120 minutes of emergency operation. The Emergency Battery Pack (EL) is suitable for 10°C to 45°C (50°F to 113°F). Cold Weather Emergency Battery Pack (CEL) suitable for -45°C to 45°C (-49°F to 113°F).

INSTALLATION: Standard four-point mounting required for [Peace of Mind Guarantee](#).

LISTINGS: UL and CUL listed for Wet Location. UL certified IP64 per IEC 60598. Meets or exceeds UL924 and NFPA 101 standards. Meets or exceeds CSA and NRCAN requirements. NSF2 Splash/Non-Food Zone.

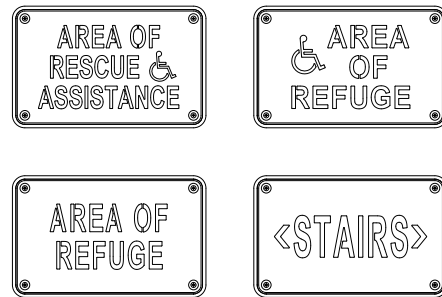
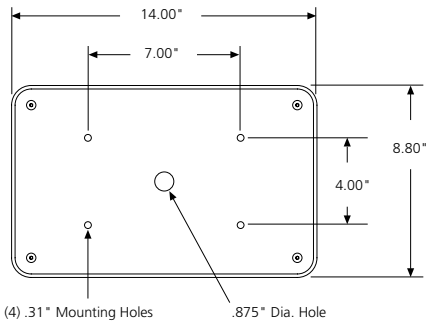


ORDERING INFORMATION (Ex: METESW-MW-R-REF-DT)

Model	Finish	Legend Color	Legend Options	Voltage	Options	Accessories
METESW						
Finish	Legend Color		Legend Options	Options		
MB Matte Black	R Red	RSC AREA OF RESCUE ASSISTANCE (with symbol of Accessibility)	RSC AREA OF RESCUE ASSISTANCE (with symbol of Accessibility)	CEL Cold Weather Emergency Battery Pack		
MW Matte White	G Green	REFA AREA OF REFUGE (with symbol of Accessibility)	REFA AREA OF REFUGE (with symbol of Accessibility)	EL Standard Emergency Battery Pack		
		REF AREA OF REFUGE	REF AREA OF REFUGE	XAC Auxiliary AC Supply (matches voltage selection)		
		STA STAIRS (with field adjustable directional indicators)	STA STAIRS (with field adjustable directional indicators)	XDC Auxiliary DC Supply (6-24 volts)		
				TR* Tamper Resistant Torx® T-20 with center pin Fasteners		
		Voltage		Accessories		
		DT 120/277 Volts		LP Laser Pointer		
		DTC 120/347 Volts		*n/a with NSF2 listing		

DIMENSIONAL DATA

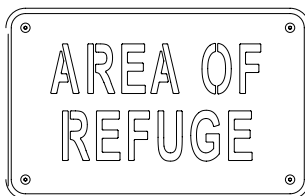
BASEPLATE MOUNTING VIEW



CHARACTER HEIGHT CHART

RSC- Area of Rescue Assistance	1.63
REFA- Area of Refuge	1.63
REF - Area of Refuge	2.00
STA- Stairs	3.00

See appropriate building codes for viewing distance and mounting height of signage based on the character height listed.



www.kenall.com | P: 800-4-Kenall | F: 262-891-9701 | 10200 55th Street Kenosha, Wisconsin 53144, USA

This product complies with the Buy American Act: manufactured in the United States with more than 50% of the component cost of US origin. It may be covered by patents found at www.kenall.com/patents. Content of specification sheets is subject to change; please consult www.kenall.com for current product details. ©2022 Kenall Mfg. Co.

A brand of **legrand**