

# MILLENIUM METREX™

## METMSW SERIES

### PRODUCT FEATURES:

- » Surface wall mount – Single Face
- » Indirect LED with life up to 50,000 hours
- » Custom legend plate



### PROJECT INFORMATION

Job Name \_\_\_\_\_

Fixture Type \_\_\_\_\_

Catalog Number \_\_\_\_\_

Approved by \_\_\_\_\_

### SPECIFICATIONS

**HOUSING:** High impact, injection molded polycarbonate. Housing provided with four-point mounting holes, one wireway hole and temporary junction box mounting drill points – see Cross Section/Details. Closed cell die-cut Neoprene gasket seals housing to mounting surface.

**SHIELD:** UV-stabilized, high impact, injection molded clear polycarbonate. Nominal thickness .120". Corrosion resistant Phillips head fasteners secure shield to housing. Continuous closed cell silicone gasket seals shield to housing.

**LEGEND:** Legend illuminated by internal high output LEDs. Lettering height and stroke determined by legend option. Polycarbonate red, green or blue filter panels. Stencil is 18-gauge laser cut steel with TGIC polyester powder coat finish to match housing.

**ELECTRICAL:** 624 nm Red, 527 nm Green or 470 nm Blue LED light source. Electrical components mounted to removable high impact, injection molded polycarbonate chassis. Drill points provided for optional conduit entry.

**OPTIONS:** Tamper Resistant Torx® with center pin Fasteners.

**INSTALLATION:** Standard four-point mounting required for Peace of Mind Guarantee®.

**LISTINGS:** UL and CUL listed for Wet Location. NSF2 Splash/Non-Food Zone.

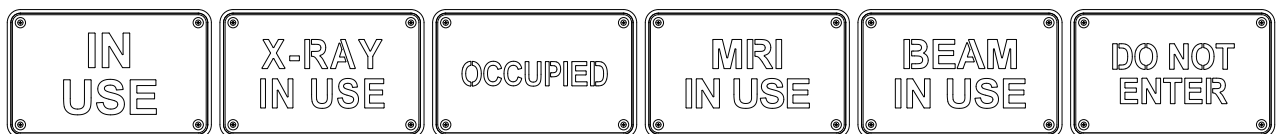
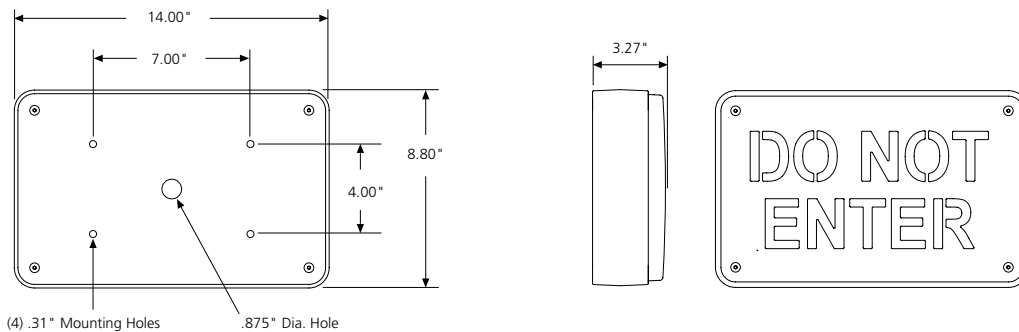


### ORDERING INFORMATION (Ex: METMSW-MW-R-DNE-DT)

Model	Finish	Legend Color	Legend Options	Voltage	Options
<b>METMSW</b>					
	<b>Finish</b> <b>MB</b> Matte Black <b>MW</b> Matte White	<b>Legend Color</b> <b>R</b> Red <b>G</b> Green <b>B</b> Blue	<b>Legend Options</b> <b>IU</b> IN USE <b>XIU</b> X-RAY IN USE <b>OCC</b> OCCUPIED <b>MIU</b> MRI IN USE <b>BIU</b> BEAM IN USE <b>DNE</b> DO NOT ENTER <b>CSL</b> Customer Specified Legend (Consult Factory)	<b>Voltage</b> <b>DT</b> 120/277 Volts <b>DTC</b> 120/347 Volts	<b>Options</b> <b>TR*</b> Tamper Resistant Torx® T-20 with center pin Fasteners  *n/a with NSF2 listing

### DIMENSIONAL DATA

#### BASEPLATE MOUNTING VIEW



www.kenall.com | P: 800-4-Kenall | F: 262-891-9701 | 10200 55th Street Kenosha, Wisconsin 53144, USA

A brand of **legrand**

This product complies with the Buy American Act: manufactured in the United States with more than 50% of the component cost of US origin. It may be covered by patents found at www.kenall.com/patents. Content of specification sheets is subject to change; please consult www.kenall.com for current product details. ©2022 Kenall Mfg. Co.