

MILLENIUM METREX™

METSW SERIES

PRODUCT FEATURES:

- » Surface wall mount – Single Face
- » Indirect Red or Green LED
- » Internal Battery Backup System
- » High impact polycarbonate construction



PROJECT INFORMATION

Job Name _____

Fixture Type _____

Catalog Number _____

Approved by _____

SPECIFICATIONS

HOUSING: High impact, injection molded polycarbonate. Housing provided with four-point mounting holes, one wireway hole and temporary junction box mounting drill points – see Cross Section/Details. Closed cell die-cut Neoprene gasket seals housing to mounting surface.

SHIELD: UV-stabilized, high impact, injection molded clear polycarbonate. Nominal thickness .120". Captive stainless steel Torx® T-20 with center pin fasteners secure shield to housing. Continuous closed cell silicone gasket seals shield to housing.

LEGEND: Legend illuminated by internal high output LEDs. Lettering six inches high with .750 inch stroke. Polycarbonate red or green filter panels. High impact, injection molded polycarbonate stencil and field selectable chevron inserts.

ELECTRICAL: 624nm RED or 527nm GREEN LED light source. Electrical components mounted to removable high impact, injection molded polycarbonate chassis. Remote Exit Ready – can power one Kenall METSS Satellite Exit.

OPTIONS: Sealed nickel-cadmium Emergency Battery Pack (EL) with standard battery conditioning, self test and self diagnostic circuitry, remote laser activated test switch, protected mechanical test switch and status indicator. Provides 120 minutes of emergency operation; The Emergency Battery Pack (EL) is suitable for 10°C to 45°C (50°F to 113°F). Cold Weather Emergency Battery Pack (CL) suitable for -30°C to 45°C (-22°F to 113°F). Remote Exit Ready – can power one or two Kenall METSS Satellite Exits.

INSTALLATION: Standard four-point mounting required for Peace of Mind Guarantee®. Drill points provided for optional surface conduit entry. NSF2 Splash and Non-Food Zone.

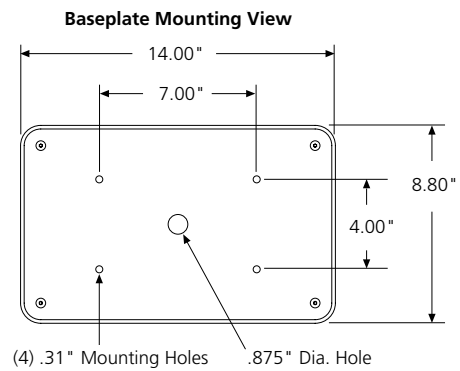
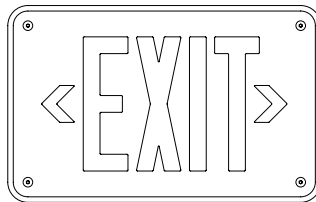
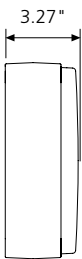
LISTINGS: UL and CUL listed for Wet Locations. UL Classified IP64 per IEC 60598. Meets or exceeds UL924 and NFPA 101 standards. Meets or exceeds CSA and NRCAN requirements. NSF2 Splash and Non-Food Zone.



ORDERING INFORMATION (Ex: METSW-MW-R-DT-EL)

Model	Finish	Legend Color	Voltage	Options	Accessories
METSW					
	Finish MB Matte Black MW Matte White		Voltage DT 120/277 Volts DTC 120/347 Volts		Accessories LP Laser Pointer
	Legend Color R Red G Green		Options CEL Cold Weather Emergency Battery Pack EL Standard Emergency Battery Pack XAC Auxiliary AC Supply (matches voltage selection) XDC Auxiliary DC Supply (6-24 volts)		

DIMENSIONAL DATA



www.kenall.com | P: 800-4-Kenall | F: 262-891-9701 | 10200 55th Street Kenosha, Wisconsin 53144, USA

This product complies with the Buy American Act: manufactured in the United States with more than 50% of the component cost of US origin. It may be covered by patents found at www.kenall.com/patents. Content of specification sheets is subject to change; please consult www.kenall.com for current product details. ©2022 Kenall Mfg. Co.

A brand of **legrand**