

MEDMASTER™

Behavioral Healthcare Luminaires

MMAC SERIES - LED

PRODUCT FEATURES:

- » Surface, recessed grid or recessed flange mount – 1'x4', 2'x2', 2'x4'
- » Center diffuser provides direct/indirect ambient lighting
- » Heavy-duty one-piece TIG and spot welded housing
- » Doorframe with Polycarbonate lens secured with Torx® fasteners for security



PROJECT INFORMATION

Job Name _____

Fixture Type _____

Catalog Number _____

Approved by _____

SPECIFICATIONS

HOUSING: Die-formed prime grade material as specified – see Ordering Information. TIG and spot welded construction.

DOOR: One-piece die-formed prime grade material as specified – see Ordering Information. Doorframe supported to housing with two aircraft cables. Corners continuously seam welded and smooth with no post grinding (TIG).

FINISH: TGIC polyester powder coat – 5-stage pre-treatment. Salt spray test: 1,000 hours; Reflectance: 92%. Optional antimicrobial finish.

OPTICS: Extruded high-efficiency frosted DR acrylic inner diffuser. Clear impact-resistant polycarbonate outer lens as specified—see Ordering Information.

GASKET: Closed cell silicone gasket seals door to housing.

FASTENERS: Torx® head with center pin hardened security screws. Fully recessed.

ELECTRICAL: Available 3000K, 3500K, 4000K and 5000K color temperatures, 82 CRI. 120-277VAC, or 347VAC 50/60Hz electrical input with serviceable high power factor electronic, constant-current driver (<20% THD, >0.95 PF). Standard 0-10V dimming with 1-100% range and dim-to-dark capabilities (non dim-to-dark with 347V); 330µA maximum source current. Optional LVC and LVCD provides a low-voltage patient interface, controlling the lamp source and optional night light with (LVCD) and without (LVC) dimming control.

SENSOR & CONTROLS: Optional sensor available with compatible third party controls. To see the full list of compatible controls, click [here](#).

INSTALLATION: **SURFACE MOUNT:** Four .312" diameter holes. **GRID MOUNT:** Designed for 1" and 1.5" grid. (Housing includes hanging brackets to secure housing with wire to super structure). **FLANGE MOUNT:** Yoke mounting hardware & brackets included. Install Frame and Plaster Frames both positively locates yoke brackets within ceiling opening assures alignment of fixture. Install frame has no need for drywall backing; backing is supplied on the frame brackets.

WARRANTY: Limited five (5) year warranty.

LISTINGS: Luminaire is certified to UL Standards by Intertek Testing Laboratory for Wet Locations and non-IC recessed installations. ETL certified IP65 per IEC 60598. NSF2 Splash/Non-Food Zone.



ORDERING INFORMATION (Ex: MMAC24-F-0/0-9-FA-90L40K-DCC-DV-FS)

| Model | Mounting | Door/Housing | Outer Lens | Diffuser Type | Lamp Type | Driver Type | Voltage | Options | Accessory |
|--|----------|--------------|------------|---|-----------|------------------------------------|---------|---|-----------|
| Model | | | | Diffuser Type | | Driver Type | | | |
| MMAC14 1'x4' | | | | FA Frosted Acrylic | | DCC 0-10V Dimming Constant Current | | | |
| MMAC22 2'x2' | | | | CAP▲ Clear Acrylic with Perforated Insert | | | | | |
| MMAC24 2'x4' | | | | | | | | | |
| Mounting Options | | | | Lamp Type | | Input Voltage | | | |
| F Flange | | | | 1x4 | | DV 120-277VAC, 50/60Hz | | | |
| S Surface | | | | 45L30K 45 Watt 3000K LED | | 347 347VAC, 60Hz | | | |
| G Grid (1" and 1.5") | | | | 45L35K 45 Watt 3500K LED | | | | Options | |
| | | | | 45L40K 45 Watt 4000K LED | | | | AMF Antimicrobial Finish on exposed surfaces | |
| | | | | 45L50K 45 Watt 5000K LED | | | | LEL* 10W LED Emergency Battery Pack (n/a in combination with LVC or LVCD on 2x2 fixture) | |
| Door/Housing Material | | | | | | | | NLW^ 2700K White LED Night Light | |
| 0 14-Ga CRS (Painted) | | | | 2x2 | | | | NLA^ Amber LED Night Light | |
| 1 16-Ga CRS (Painted) | | | | 45L30K 45 Watt 3000K LED | | | | FS Fuse & Holder | |
| 2 18-Ga CRS (Painted) (n/a as Door Material) | | | | 45L35K 45 Watt 3500K LED | | | | LVC* Low Voltage Controller (Click here for specifications) | |
| A 18-Ga SS (Brushed) (n/a as Door Material) | | | | 45L40K 45 Watt 4000K LED | | | | LVCD* Low Voltage Controller with Dimming (Click here for specifications) | |
| B 18-Ga SS (Painted) (n/a as Door Material) | | | | 45L50K 45 Watt 5000K LED | | | | TC T-Bar Clips (Grid Mount only) | |
| 3 14-Ga SS (Painted) | | | | | | | | | |
| 4 16-Ga SS (Painted) | | | | 2x4 | | | | | |
| 6 14-Ga SS (Brushed) | | | | 45L30K 45 Watt 3000K LED | | | | Accessory | |
| 7 16-Ga SS (Brushed) | | | | 45L35K 45 Watt 3500K LED | | | | IF Install Frame (Flange only; add .375 to each Ceiling Cutout dimension) | |
| | | | | 45L40K 45 Watt 4000K LED | | | | | |
| Outer Lens Type | | | | 45L50K 45 Watt 5000K LED | | | | | |
| 7 .187" Clear Polycarbonate | | | | 67L30K 67 Watt 3000K LED | | | | * n/a with 347V | |
| 9 .250" Clear Polycarbonate | | | | 67L35K 67 Watt 3500K LED | | | | ^ n/a with 1x4 size or 347V | |
| B .375" Clear Polycarbonate | | | | 67L40K 67 Watt 4000K LED | | | | ▲ Selection results in significant reduction in lighting performance | |
| | | | | 67L50K 67 Watt 5000K LED | | | | | |
| | | | | 90L30K 90 Watt 3000K LED | | | | | |
| | | | | 90L35K 90 Watt 3500K LED | | | | | |
| | | | | 90L40K 90 Watt 4000K LED | | | | | |
| | | | | 90L50K 90 Watt 5000K LED | | | | | |

ACCESSORIES ORDERED SEPARATELY
MPWS Low Voltage Wall Switch (Click [here](#) for Specifications)



www.kenall.com | P: 800-4-Kenall | F: 262-891-9701 | 10200 55th Street Kenosha, Wisconsin 53144, USA

A brand of **legrand**

This product complies with the Buy American Act: manufactured in the United States with more than 50% of the component cost of US origin. It may be covered by patents found at www.kenall.com/patents. Content of specification sheets is subject to change; please consult www.kenall.com for current product details. ©2022 Kenall Mfg. Co.

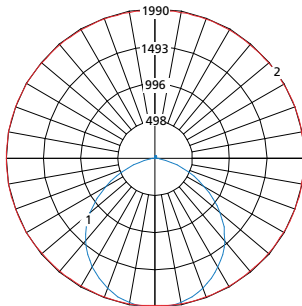
MMAC SERIES - LED

PERFORMANCE

| Model | Optic | | Lamp Power | Initial Delivered Lumens, By Lamp Color | | | | Efficacy (lm/W) | Input Power (W) | Estd. L70 LED Life (hrs) |
|--------|---------------|------------|------------|---|--------|--------|--------|-----------------|-----------------|--------------------------|
| | Diffuser Type | Outer Lens | | 30K | 35K | 40K | 50K | | | |
| MMAC14 | FA | 7 | 45L | 3,921 | 4,042 | 4,180 | 4,466 | 80 - 91 | 49 | 80,000 |
| | | 9 | 45L | 3,928 | 4,049 | 4,187 | 4,474 | 80 - 91 | 49 | 80,000 |
| | | B | 45L | 3,749 | 3,865 | 3,997 | 4,270 | 77 - 87 | 49 | 80,000 |
| MMAC22 | FA | 7 | 45L | 4,007 | 4,131 | 4,272 | 4,564 | 82 - 93 | 49 | 80,000 |
| | | 9 | 45L | 4,014 | 4,138 | 4,280 | 4,572 | 82 - 93 | 49 | 80,000 |
| | | B | 45L | 3,832 | 3,950 | 4,085 | 4,364 | 78 - 89 | 49 | 80,000 |
| MMAC24 | FA | 7 | 45L | 5,027 | 5,182 | 5,359 | 5,726 | 103 - 117 | 49 | 80,000 |
| | | | 67L | 7,648 | 7,884 | 8,153 | 8,711 | 106 - 121 | 72 | 80,000 |
| | | | 90L | 9,827 | 10,131 | 10,477 | 11,193 | 102 - 116 | 97 | 80,000 |
| | | 9 | 45L | 5,036 | 5,192 | 5,369 | 5,736 | 103 - 117 | 49 | 80,000 |
| | | | 67L | 7,662 | 7,899 | 8,168 | 8,727 | 106 - 121 | 72 | 80,000 |
| | | | 90L | 9,845 | 10,150 | 10,496 | 11,214 | 102 - 116 | 97 | 80,000 |
| | | B | 45L | 4,807 | 4,956 | 5,125 | 5,476 | 98 - 112 | 49 | 80,000 |
| | | | 67L | 7,314 | 7,540 | 7,797 | 8,330 | 102 - 116 | 72 | 80,000 |
| | | | 90L | 9,398 | 9,688 | 10,019 | 10,704 | 97 - 111 | 97 | 80,000 |

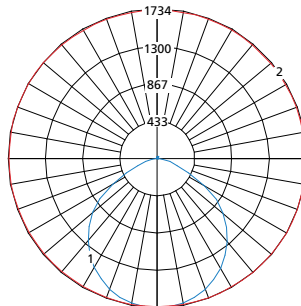
Displayed information is for type 'FA' diffuser. Apply 0.52 derating factor to provided output values for 'CAP' diffuser option. Photometry tested to the IESNA LM-79-08 standard by an ILAC/ISO17025 accredited laboratory. For photometric data, please go to www.kenall.com

Model: MMAC14-x-y-z-9-FA-45L40K-DCC-120



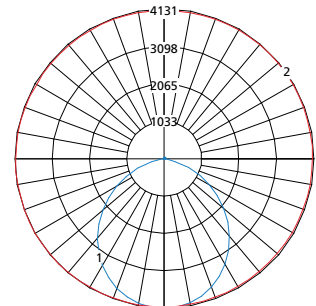
Maximum Candela = 1990 Located At Horizontal Angle = 75, Vertical Angle = 2.5
 1 - Vertical Plane Through Horizontal Angles (75-255) (Through Max. Cd.)
 2 - Horizontal Cone Through Vertical Angle (2.5) (Through Max. Cd.)

Model: MMAC22-x-y-z-9-FA-45L40K-DCC-120



Maximum Candela = 1734 Located At Horizontal Angle = 90, Vertical Angle = 2.5
 1 - Vertical Plane Through Horizontal Angles (90-270) (Through Max. Cd.)
 2 - Horizontal Cone Through Vertical Angle (2.5) (Through Max. Cd.)

Model: MMAC24-x-y-z-9-FA-90L40K-DCC-120



Maximum Candela = 4131 Located At Horizontal Angle = 75, Vertical Angle = 2.5
 1 - Vertical Plane Through Horizontal Angles (75-255) (Through Max. Cd.)
 2 - Horizontal Cone Through Vertical Angle (2.5) (Through Max. Cd.)



MEDMASTER™

Behavioral Healthcare Luminaires

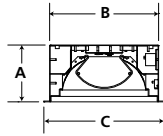
MMAC SERIES - LED

PERFORMANCE

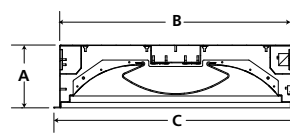
GRID DIMENSIONAL DATA (IN INCHES)

| | A | B | C | D | E |
|-----|------|-------|-------|-------|-------|
| 1x4 | 5.56 | 10.60 | 11.75 | 46.60 | 47.75 |
| 2x2 | 6.10 | 22.60 | 23.75 | 22.60 | 23.75 |
| 2x4 | 6.10 | 22.60 | 23.75 | 46.60 | 47.75 |

CROSS SECTION



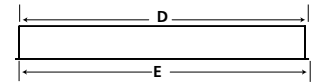
MAC14



MAC22 & MAC24

GRID MOUNT

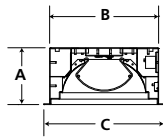
SIDE VIEW



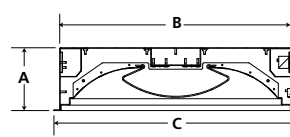
FLANGE DIMENSIONAL DATA (IN INCHES)

| | A | B | C | D | E | F | G |
|---|------|-------|-------|-------|-------|-------|-------|
| 1x4 | 5.56 | 10.60 | 11.75 | 46.60 | 47.75 | 30.00 | 5.25 |
| Recommended Ceiling Cutout: 10.88" x 46.88" | | | | | | | |
| 2x2 | 6.10 | 22.60 | 23.75 | 22.60 | 23.75 | 12.00 | 12.00 |
| Recommended Ceiling Cutout: 22.88" x 22.88" | | | | | | | |
| 2x4 | 6.10 | 22.60 | 23.75 | 46.60 | 47.75 | 30.00 | 12.00 |
| Recommended Ceiling Cutout: 22.88" x 46.88" | | | | | | | |

CROSS SECTION



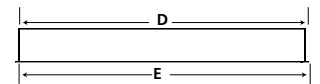
MAC14



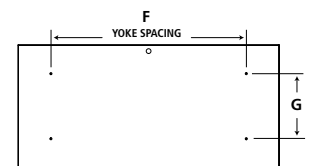
MAC22 & MAC24

FLANGE MOUNT

SIDE VIEW



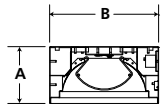
TOP VIEW



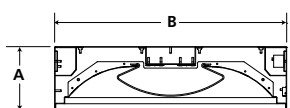
SURFACE DIMENSIONAL DATA (IN INCHES)

| | A | B | C | D | E |
|-----|------|-------|-------|-------|-------|
| 1x4 | 5.56 | 10.60 | 30.00 | 5.25 | 46.60 |
| 2x2 | 6.13 | 22.60 | 12.00 | 12.00 | 22.60 |
| 2x4 | 6.13 | 22.60 | 30.00 | 12.00 | 46.60 |

CROSS SECTION



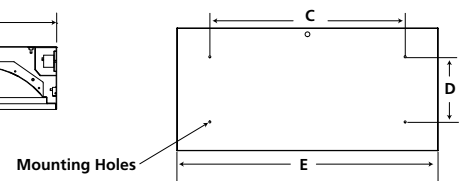
MAC14



MAC22 & MAC24

SURFACE MOUNT

TOP VIEW



www.kenall.com | P: 800-4-Kenall | F: 262-891-9701 | 10200 55th Street Kenosha, Wisconsin 53144, USA

A brand of **legrand**

This product complies with the Buy American Act: manufactured in the United States with more than 50% of the component cost of US origin. It may be covered by patents found at www.kenall.com/patents. Content of specification sheets is subject to change; please consult www.kenall.com for current product details. ©2022 Kenall Mfg. Co.