

# TEKLINK™ TL1000/2000 FOR MILLENNIUM OS™ Control System Specification

## MOS-TL1000/2000 SYSTEM

### PRODUCT FEATURES:

- » Wireless OR Wired Communication
- » Configure System through Web Browser
- » Integral Occupancy Detection
- » Report Energy Consumption
- » Monitor Occupancy Events



### PROJECT INFORMATION

Job Name \_\_\_\_\_

Fixture Type \_\_\_\_\_

Catalog Number \_\_\_\_\_

Approved by \_\_\_\_\_

### SPECIFICATIONS:

**PRODUCT BRIEF:** TekLink™ TL1000 and TL2000 are cloud-based, adaptive lighting control systems that utilize wired and wireless (respectively) communication between system nodes. The system consists mainly of luminaire-integrated lighting controllers (BORGs), integrated Sensors, Bridges, and a Gateway. This specification provides information on the luminaire level control components. Please see the [Bridge and Gateway Specification](#) sheet for additional system information.

**TEKLINK TL1000/2000 BORG:** Integral controllers located in LED luminaires, sensors, and as stand-alone devices; BORGs (Board on Radio Grid) process data and record system activity. The LED luminaires react to changes in the environment based on a programmable lighting schedule. TL1000 BORGs utilize wired (shielded twisted pair) communication to exchange information built on the CAN bus protocol. TL2000 BORGs use wireless communication (900 MHz), designed to the IEEE 802.15.4 standard.

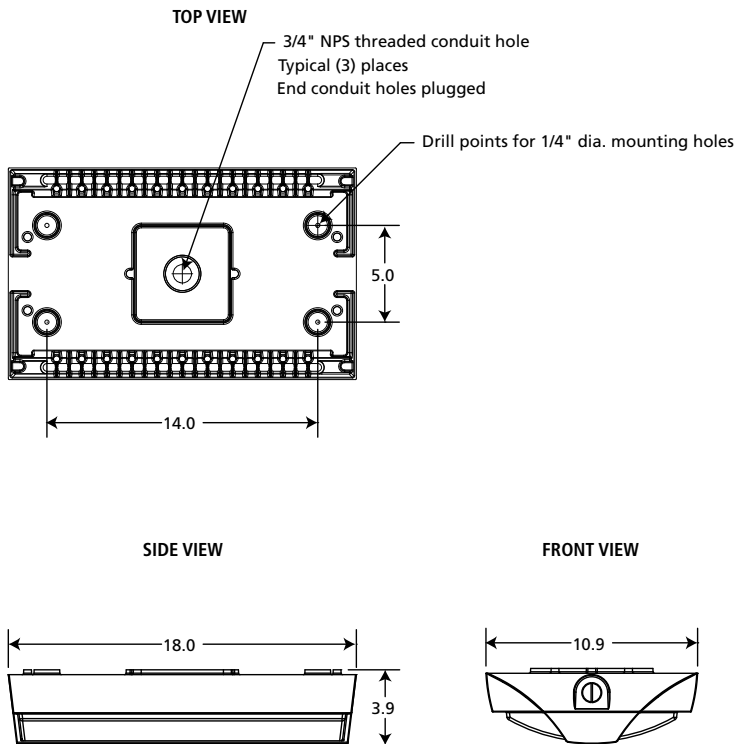
**TEKLINK SENSOR:** Operates by low-voltage power provided by the BORG or LED driver and provides Microwave (MW) occupancy detection.

**INSTALLATION:** Control components and sensor integrated into MOS at factory.

**WARRANTY:** Limited five (5) year warranty.

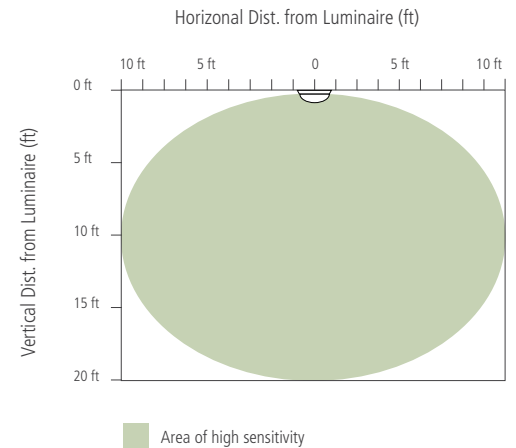


### DIMENSIONAL DATA

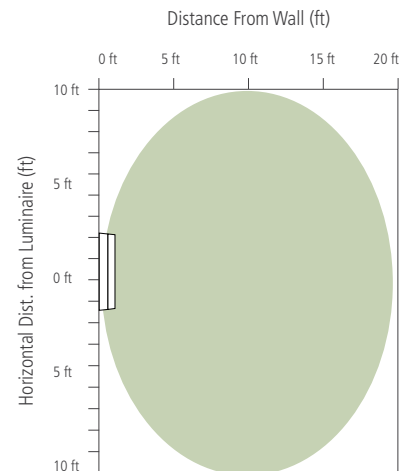


### SENSOR COVERAGE

#### Ceiling Mount



#### Wall Mount



www.kenall.com | P: 800-4-Kenall | F: 262-891-9701 | 10200 55th Street Kenosha, Wisconsin 53144, USA

A brand of **legrand**

This product complies with the Buy American Act: manufactured in the United States with more than 50% of the component cost of US origin. It may be covered by patents found at [www.kenall.com/patents](http://www.kenall.com/patents). Content of specification sheets is subject to change; please consult [www.kenall.com](http://www.kenall.com) for current product details. ©2022 Kenall Mfg. Co.