

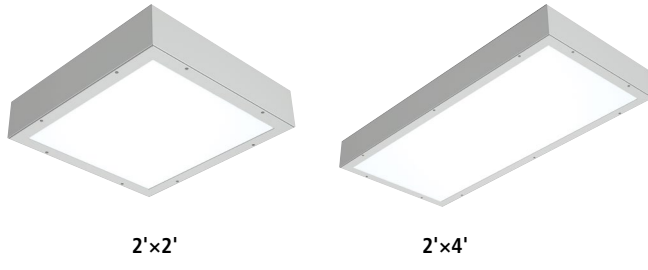
# MEDMASTER™

## Luminaires for Hybrid Operating Rooms

### MRI4SESI SERIES – White LED

#### PRODUCT FEATURES:

- » Non-ferrous construction and remote power supplies provide safe operation with advanced medical imaging devices
- » Symmetric, symmetric/asymmetric and full asymmetric optic distributions with uniform lens appearance
- » Suitable for surface ceiling installations
- » One-piece sealed housing; smooth exterior doorframe and lens for infection prevention and simplified cleaning protocols
- » High-output, high CRI LED lamp sources
- » For surface-mount Hybrid OR luminaires with Green LEDs, [click here](#)



#### SPECIFICATIONS

**HOUSING:** Hole-free, one-piece, seam-welded aluminum construction. Non-ferrous components and hardware. Gloss white TGIC polyester powder-coat finish with 5-stage pre-treatment. Antimicrobial finish on all exposed painted surfaces of installed luminaire.

**DOORFRAME:** 0.050" aluminum. One-piece inset-style construction with welded corners. Gloss white TGIC polyester powder coat finish with 5-stage pre-treatment. Doorframe secured to housing with aircraft cables and captive, flush-mounted Phillips-head fasteners. Non-ferrous hardware. Antimicrobial finish standard on all exposed painted surfaces of the installed luminaire. Closed-cell silicone gasket seals doorframe to housing.

**OPTICS:** High-efficiency diffused, impact-resistant acrylic lens. Symmetric/asymmetric and full asymmetric optic adds internal Total Internal Reflection optics to work in conjunction with diffused lens providing asymmetry while maintaining uniform appearance.

**ELECTRICAL:** Serviceable mid-power LED array. Minimum 80CRI standard, 90CRI optional. See Ordering Information for available color temperature options. Luminaire input 24VDC from remote-located 120-277VAC, high-power-factor power supply with EMI filter. Dimming line EMI filter required if utilizing dimming function. Internal non-switch mode DC-DC driver. Standard 0-10V dimming with 1-100% range and dim-to-dark capabilities. See below for ordering information and power supply/filter accessories.

**INSTALLATION:** Surface mounting via four (4) 0.312" (0.79cm) holes. Singular side wiring feed hole provided. All power and signal wiring must be in completely grounded aluminum conduit. Light engine and internal driver are replaceable post-installation. MRI room EMI filters required (see Accessories below). Suitable for 0°C to 25°C ambient temperature environments.

**PHOTOMETRICS:** Photometry tested to the IESNA LM-79-08 standard. For additional photometric data, please go to [www.kenall.com](http://www.kenall.com).

**WARRANTY:** Limited five (5) year LED warranty

**LISTINGS:** Luminaire is certified to UL standards by Intertek Testing Laboratories for Wet Location. IP65 rating per IEC 60598. NSF2 Splash/Non-Food Zone. Meets FED-STD-209E/Class 1 (ISO 3) Cleanrooms. Compliant with MIL-STD 461G for radiated and conducted emissions.



#### ORDERING INFORMATION (Ex: MRI4SESI-24-100L-35K9-DIM1-24V-PAF-PAH-FASYM)

Model	Size	Lamp Power	Lamp Color	Driver	Voltage	Doorframe	Housing	Optics	Options
<b>MRI4SESI</b>				<b>DIM1</b>	<b>24V</b>	<b>PAF</b>	<b>PAH</b>		
<b>Size</b>			<b>Lamp Color</b>				<b>Housing Options</b>		
<b>22</b>	2'x2' Nominal		<b>30K8</b> 3000K, 80 CRI				<b>PAH</b> .050" Antimicrobial Painted Aluminum		
<b>24</b>	2'x4' Nominal		<b>30K9</b> 3000K, 90 CRI				<b>Optics</b>		
			<b>35K8</b> 3500K, 80 CRI				<b>SYM</b> Symmetric, Diffused DR Acrylic		
<b>Lamp Power</b>			<b>35K9</b> 3500K, 90 CRI				<b>ASYM</b> Asymmetric/Symmetric Optic with Diffused DR Acrylic		
<b>2'x2'</b>			<b>40K8</b> 4000K, 80 CRI				<b>FASYM</b> Full Asymmetric Optic with Diffused DR Acrylic		
<b>50L</b>	50 Watt LED		<b>40K9</b> 4000K, 90 CRI				<b>Options</b>		
<b>2'x4'</b>			<b>Driver Type</b>				<b>2C</b> Two-Circuit Wiring		
<b>100L</b>	100 Watt LED		<b>DIM1</b> 0-10V Dimming to 1% with Dim-to-Dark						
			<b>Voltage</b>						
			<b>24V</b> 24VDC Input						
			<b>Doorframe Options</b>						
			<b>PAF</b> Antimicrobial Painted Fabricated Aluminum						

**ACCESSORIES ORDERED SEPARATELY**

<b>MRIPSF</b>	Remote Power Supply with EMI Filter ( <a href="#">click here</a> for specifications)
<b>MRIFD-1A</b>	Dimming Filter (one per dimming circuit, <a href="#">click here</a> for specifications)

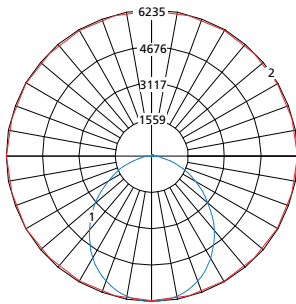
**MRI4SESI SERIES – TECHNICAL DATA**

**PERFORMANCE**

Model	Lamp Type	Initial Delivered Lumens by Optic (lm)			Efficacy (lm/W)	Input Power (W)	Estd. L <sub>70</sub> LED Life (Hrs)
		SYM	ASYM	FASYM			
MRI4SESI-22	50L-30K8	7,030	7,033	6,674	111 - 117	60	85,000
	50L-30K9	6,077	6,079	5,769	96 - 101	60	85,000
	50L-35K8	7,247	7,251	6,880	114 - 120	60	85,000
	50L-35K9	6,224	6,227	5,908	98 - 103	60	85,000
	50L-40K8	7,495	7,498	7,115	118 - 124	60	85,000
	50L-40K9	6,378	6,381	6,055	100 - 106	60	85,000
MRI4SESI-24	100L-30K8	14,571	14,649	13,698	113 - 121	121	85,000
	100L-30K9	12,595	12,662	11,841	98 - 105	121	85,000
	100L-35K8	15,022	15,102	14,122	117 - 125	121	85,000
	100L-35K9	12,900	12,969	12,127	100 - 107	121	85,000
	100L-40K8	15,535	15,617	14,604	121 - 129	121	85,000
	100L-40K9	13,220	13,291	12,428	103 - 110	121	85,000

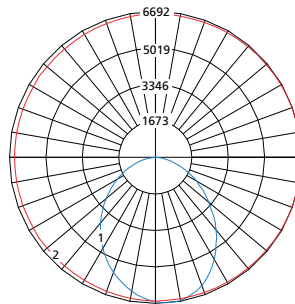
Information Subject to change without notice. Visit [www.kenall.com](http://www.kenall.com) for .ies files and additional information.

Model: MRI4SESI-24-100L-40K8-DIM1-24V-PAF-PAH-SYM



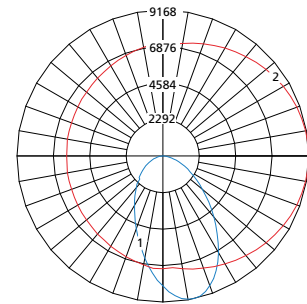
Max Candela = 6235 Located At Horizontal Angle = 90, Vertical Angle = 2.5  
 1 - Vertical Plane Through Horizontal Angles (90 - 270) (Through Max. Cd.)  
 2 - Horizontal Cone Through Vertical Angle (2.5) (Through Max. Cd.)

Model: MRI4SESI-24-100L-40K8-DIM1-24V-PAF-PAH-ASYM



Max Candela = 6692 Located At Horizontal Angle = 0, Vertical Angle = 5  
 1 - Vertical Plane Through Horizontal Angles (0 - 180) (Through Max. Cd.)  
 2 - Horizontal Cone Through Vertical Angle (5) (Through Max. Cd.)

Model: MRI4SESI-24-100L-40K8-DIM1-24V-PAF-PAH-FASYM



Max Candela = 9168 Located At Horizontal Angle = 0, Vertical Angle = 12.5  
 1 - Vertical Plane Through Horizontal Angles (0 - 180) (Through Max. Cd.)  
 2 - Horizontal Cone Through Vertical Angle (12.5) (Through Max. Cd.)

**MRI LUMINAIRE CONNECTION LIMITS PER POWER SUPPLY**

Size	Lamp Power	Amps per Luminaire	Max. Luminaires per Power Supply (MRIPSF-480)	Max. Luminaires per Power Supply (MRIPSF-240)	Max. Luminaires per Power Supply (MRIPSF-120)
22	50L	2.98	6	3	1
24	100L	5.96	3	1	0

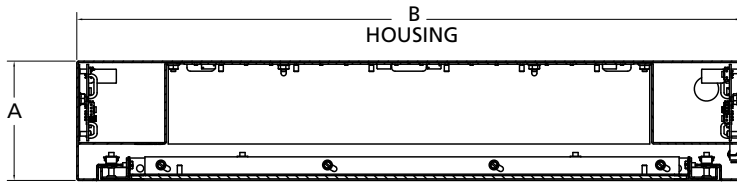
NOTE: Multiple Kenall MRI product types may be powered from a single power supply/filter as long as the maximum current rating is not exceeded (20A - 480W, 10A - 240W, 5A - 120W).



**MRI4SESI SERIES – TECHNICAL DATA**

**DIMENSIONAL DATA**

CROSS SECTION



**DIMENSIONAL DATA (IN INCHES)**

	A	B	C
2x2	4.30	24.00 x 24.00	19.00 x 19.00
2x4	4.30	24.00 x 48.00	19.00 x 43.00

