

MIGHTY MAC™

RMCD SERIES with BIOS SkyBlue™

PRODUCT FEATURES:

- » Features BIOS SkyBlue Technology to benefit daytime alertness, cognition, mood and circadian rhythms
- » Recessed convertible ceiling mount
- » TIG-welded housing without post-weld grinding for additional strength
- » Full-length concealed internal piano hinge



SPECIFICATIONS

HOUSING: Die-formed prime grade material as specified – see Ordering Information. TIG and spot welded construction.

LENS: As specified – maximum overall thickness 0.625" – see Ordering Information. High-efficiency diffused DR acrylic inner lens.

LENS RETENTION: Vertically adjustable continuous "Z" brackets of prime grade material, secured to housing via thru-studs (6" maximum spacing).

DOOR: One-piece die-formed prime grade material as specified – see Ordering Information. Corners continuously seam welded and smooth with no post grinding (TIG).

HINGE: Full length completely concealed internal piano hinge (1/2" knuckle/1/8" diameter pin) standard. Pin secured to knuckle. Hinge welded to door.

FASTENERS: Fully recessed hardened security screws as specified – see Ordering Information.

FINISH: TGIC polyester powder coat – 5-stage pre-treatment. Salt spray test: 1,000 hours; Reflectance: 92%.

LED MODULE: Serviceable static, dynamic or tunable mid-power Gen 2 BIOS Biological LED modules. Biological Static, Biological Dynamic, and Biological Tunable LED source with blue spectrum peak at 490nm and higher melanopic ratio. CRI 80+ with R9 > 90. Dynamic features 500K downward CCT shift when dimmed for evening applications requiring lower melanopic ratio. Tunable features 2700K CCT for evening applications. Refer to table for specific melanopic values.

DRIVER/CONTROL: 120-277VAC, 50/60Hz electrical input (PF ≥ 0.9, THD < 20%). **Biological Static:** Serviceable, constant-current single channel driver with single analog (0-10V) control input for intensity. 1-100% range with dim to dark capabilities and a linear dimming curve. **Biological Dynamic:** Serviceable constant-current driver with the BIOS Dynamic Bio-Dimming™ module keeps light output constant while reducing melanopic lux. Single analog (0-10V) control input. 1-100% dimming range with dim-to-dark capabilities and a linear dimming curve. Dimming from 100-75% reduces CCT by 500K, dimming below 75% reduces light level. **Biological Tunable:** Serviceable, constant-current multi-channel programmable driver with dual analog (0-10V) control inputs for intensity and CCT. Optional DALI (Type 8) driver. Logarithmic intensity profile with 0.1-100% range, with dim-to-dark capabilities. Linear profile on CCT adjustment.

LUMINOUS SEAL: Polyurethane foam prevents light leaks from luminaire base.

WARRANTY: Limited five (5) year warranty on LED lamps.

PHOTOMETRICS: Photometry tested to the IESNA LM-79-08 standard by an ILAC/ISO17025 accredited laboratory. For photometric information, go to www.kenall.com.

LISTINGS: Luminaire is certified to UL standards by Intertek Testing Laboratory for Damp Locations. See Ordering Information for Wet Location applications. Non IC rated.



ORDERING INFORMATION (Ex: RMCD-2-TG-2/1-45B-35K8-ATW-DV-SYM/9-1-FS)

Model	Size	Ceiling Type	Door/Housing	Lamp Power	Lamp Color	Driver Type	Voltage	Lens (Inner/Outer)	Fasteners	Options
RMCD			/					SYM /		
	Nominal Size			Lamp Power				Lens (Inner/Outer)‡		
	2 24"×24"			24" X 24"				SYM† .125" Diffused DR Acrylic		
	4 24"×48"			45B 45 Watt BIOS				G .125" Clear Polycarbonate		
				67B 67 Watt BIOS				7 .187" Clear Polycarbonate		
	Ceiling Type*			24" X 48"				8 .187" Clear Tempered Glass		
	FL/TR Flange/Threaded Rod			45B 45 Watt BIOS				9 .250" Clear Polycarbonate		
	FL/CC Flange/Cross Channel			67B 67 Watt BIOS				A .250" Clear Tempered Glass		
	FL/Y Flange/Yoke			90B 90 Watt BIOS				B .375" Clear Polycarbonate		
	FL/SA Flange/Swing-Out Arms							C .375" Clear Tempered Glass		
	TG T-Grid			Lamp Color				J .500" Clear Polycarbonate		
	MP▲ Metal Pan			35K8 3500K SkyBlue / 80CRI min / R9 90+				P .500" Clear Tempered Glass		
	CZ Concealed Z-Spline			40K8 4000K SkyBlue / 80CRI min / R9 90+						
	Door/Housing Material			Driver Type				Fastener		
	0 14-Ga CRS (Painted White)			DIM1 BIOS Biological Static with 0-10V Dimming to 1% with Dim-to-Dark Capabilities				1 Torx® T-20 Head w/ Center Pin		
	1 16-Ga CRS (Painted White)			BIODIM1 BIOS Biological Dynamic with 0-10V Intensity Dimming to 1% and Dim-to-Dark Capabilities				2 Allen Head w/ Center Pin		
	2 18-Ga CRS (Painted White)			ATW BIOS Biological Tunable White with 0-10V Control of Intensity and CCT independently on 2 separate channels						
	3 14-Ga SS (Painted White)			DTW BIOS Biological Tunable White with DALI Control of Intensity and CCT independently on 2 separate channels						
	4 16-Ga SS (Painted White)									
	B 18-Ga SS (Painted White)			Voltage						
	6* 14-Ga SS (Brushed)			DV 120-277 Volts						
	7* 16-Ga SS (Brushed)			120 120 Volts						
	A* 18-Ga SS (Brushed)			277 277 Volts						

+ See ceiling types under DIMENSIONAL DATA for more information
 * n/a as Hsg. Material
 ‡ Refer to lens specifications
 † Not available as Outer lens or as standalone lens option
 ▲ Consult Grid system manufacturer for product compatibility



MIGHTY MAC™

RMCD SERIES with BIOS SkyBlue™

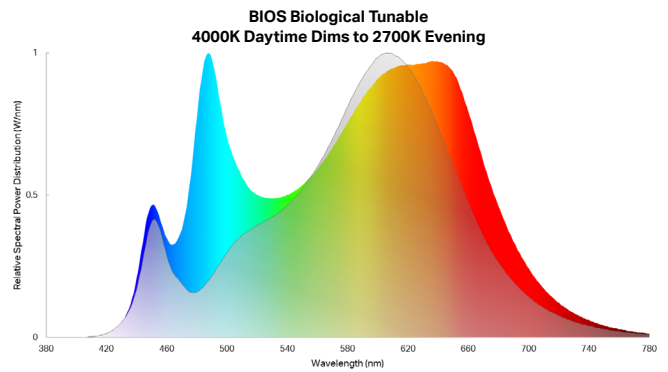
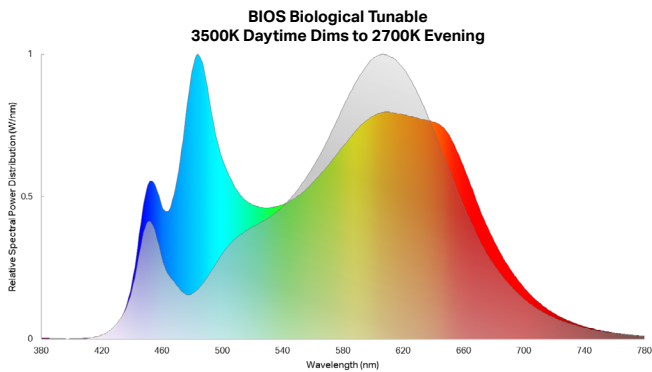
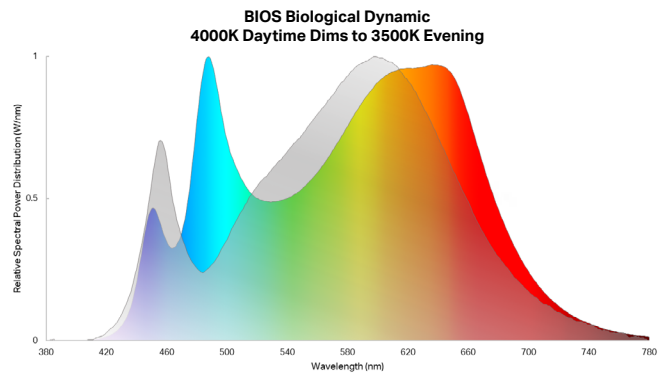
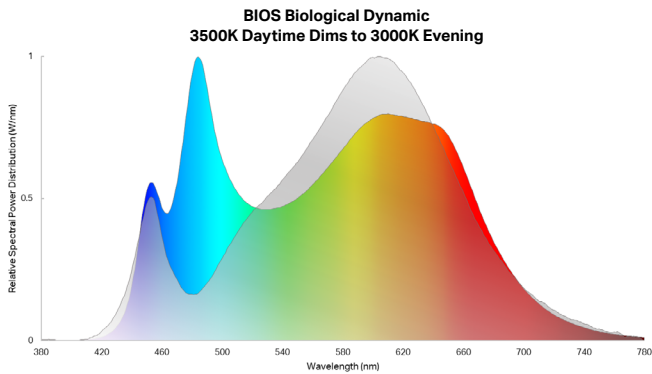
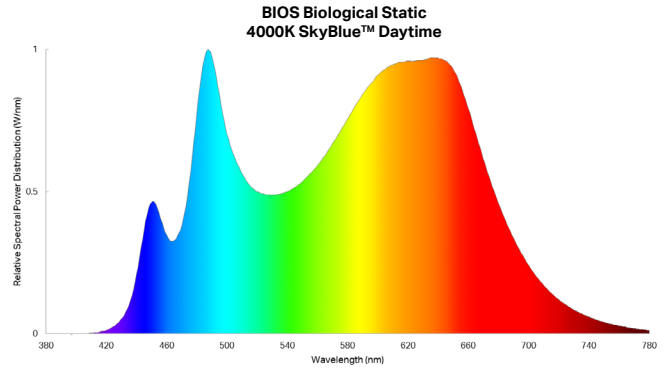
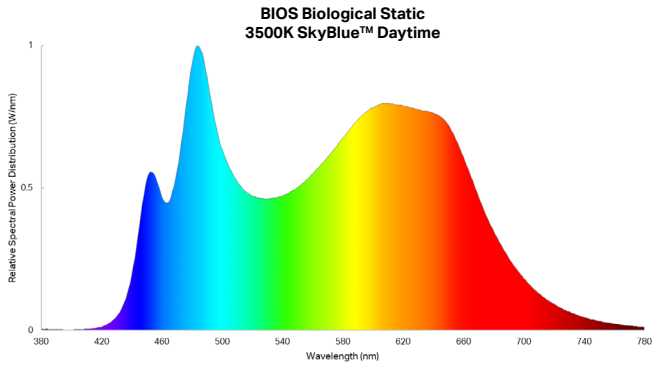
DELIVERED MELANOPIC RATIO OF 35K8 BIOS

BIOS Type	Spectral Mode	Nominal CCT	Melanopic Ratio*	
			m-EER	m-DER
Biological Static	Daytime	3500K	≥0.80	≥0.72
Biological Dynamic	Daytime	3500K	≥0.80	≥0.72
	Evening	3000K	≤0.49	≤0.44
Biological Tunable	Daytime	3500K	≥0.80	≥0.72
	Evening	2700K	≤0.47	≤0.42

DELIVERED MELANOPIC RATIO OF 40K8 BIOS

BIOS Type	Spectral Mode	Nominal CCT	Melanopic Ratio*	
			m-EER	m-DER
Biological Static	Daytime	4000K	≥0.90	≥0.81
Biological Dynamic	Daytime	4000K	≥0.90	≥0.81
	Evening	3500K	≤0.57	≤0.51
Biological Tunable	Daytime	4000K	≥0.90	≥0.81
	Evening	2700K	≤0.47	≤0.42

*Melanopic ratios are provided in two forms: (m-EER) which is calculated using the WELL v2 methodology and the corresponding CIE melanopic Daylight Equivalent Ratio, (m-DER).



www.kenall.com | P: 800-4-Kenall | F: 262-891-9701 | 10200 55th Street Kenosha, Wisconsin 53144, USA

This product complies with the Buy American Act: manufactured in the United States with more than 50% of the component cost of US origin. It may be covered by patents found at www.kenall.com/patents. Content of specification sheets is subject to change; please consult www.kenall.com for current product details. ©2022 Kenall Mfg. Co.

A brand of Legrand

MIGHTY MAC™

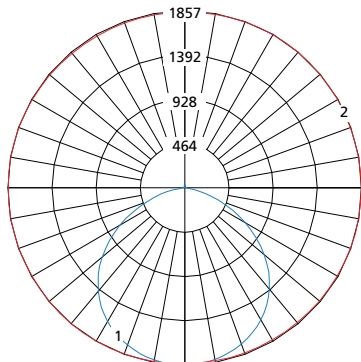
RMCD SERIES with BIOS SkyBlue™

PERFORMANCE

Model	Lamp Type	Initial Delivered Lumens		Input Power (W)	Drive Current (mA)	Estd. L ₇₀ LED Life (Hrs)
		Lumen Output (lm)	Efficacy (lm/W)			
RMCD-2	45B-35K8	3,221	84	46	100	80,000
	45B-40K8	3,498	87			
	67B-35K8	5,144	84	74	75	80,000
	67B-40K8	5,585	86			
RMCD-4	45B-35K8	3,591	94	46	100	80,000
	45B-40K8	3,899	97			
	67B-35K8	5,734	93	74	75	80,000
	67B-40K8	6,226	96			
	90B-35K8	7,081	89	97	100	80,000
	90B-40K8	7,689	91			

All products tested with the SYM/B lens configuration. Output with other lens configurations will vary. Information subject to change without notice. Visit www.kenall.com for additional information.

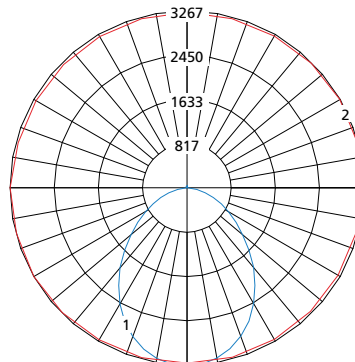
Model: RMCD-2-w-x-y-67B-35K8-DIM1-z-SYM/B-1



Maximum Candela = 1857 Located At Horizontal Angle = 230, Vertical Angle = 2.5

- 1 - Vertical Plane Through Horizontal Angles (230-50) (Through Max. Cd.)
- 2 - Horizontal Cone Through Vertical Angle (2.5) (Through Max. Cd.)

Model: RMCD-4-w-x-y-90B-35K8-DIM1-z-SYM/B-1



Maximum Candela = 3267 Located At Horizontal Angle = 210, Vertical Angle = 5

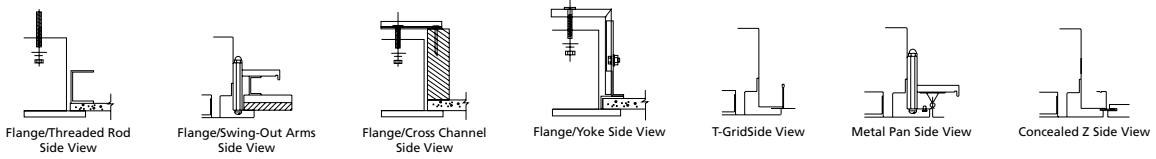
- 1 - Vertical Plane Through Horizontal Angles (210-30) (Through Max. Cd.)
- 2 - Horizontal Cone Through Vertical Angle (5) (Through Max. Cd.)



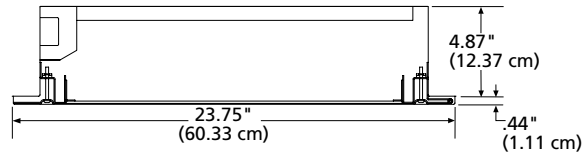
MIGHTY MAC™

RMCD SERIES with BIOS SkyBlue™

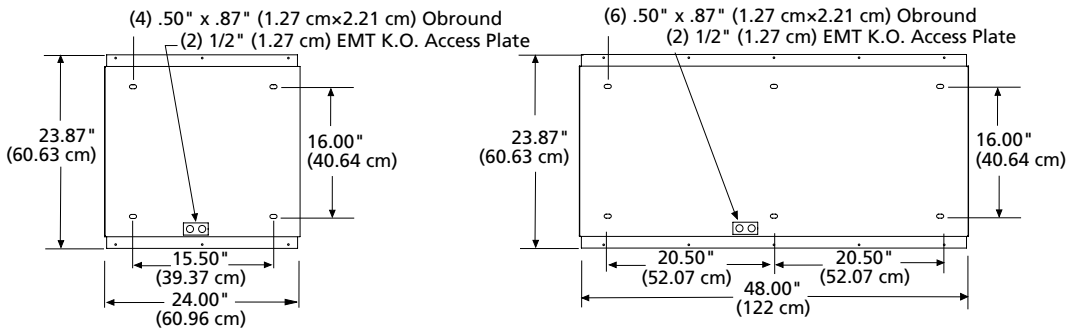
DIMENSIONAL DATA



CROSS SECTION



MOUNTING HOLES



RECOMMENDED CEILING CUTOUT: 24.25" x 22.44" (61.60 cm x 56.99 cm)

RECOMMENDED CEILING CUTOUT: 48.25" x 22.44" (122 cm x 56.99 cm)



www.kenall.com | P: 800-4-Kenall | F: 262-891-9701 | 10200 55th Street Kenosha, Wisconsin 53144, USA

A brand of **Legrand**

This product complies with the Buy American Act: manufactured in the United States with more than 50% of the component cost of US origin. It may be covered by patents found at www.kenall.com/patents. Content of specification sheets is subject to change; please consult www.kenall.com for current product details. ©2022 Kenall Mfg. Co.