

MIGHTY MAC™

RMCD SERIES - TUNABLE WHITE LED

PRODUCT FEATURES:

- » High-output, high-CRI LED lamp sources with 2700K-6500K white tuning capability
- » Recessed convertible ceiling mount
- » TIG-welded housing without post-weld grinding for additional strength
- » Full-length concealed internal piano hinge



PROJECT INFORMATION

Job Name _____

Fixture Type _____

Catalog Number _____

Approved by _____

SPECIFICATIONS

HOUSING: Die-formed prime grade material as specified – see Ordering Information. TIG and spot welded construction.

LENS: As specified – maximum overall thickness 0.625" – see Ordering Information. High-efficiency diffused DR acrylic inner lens.

LENS RETENTION: Vertically adjustable continuous "Z" brackets of prime grade material, secured to housing via thru-studs (6" maximum spacing).

DOOR: One-piece die-formed prime grade material as specified – see Ordering Information. Corners continuously seam welded and smooth with no post grinding (TIG).

HINGE: Full length completely concealed internal piano hinge (1/2" knuckle/1/8" diameter pin) standard. Pin secured to knuckle. Hinge welded to door.

FASTENERS: Fully recessed hardened security screws as specified – see Ordering Information.

FINISH: TGIC polyester powder coat – 5-stage pre-treatment. Salt spray test: 1,000 hours; Reflectance: 92%.

LED MODULE: Serviceable tunable-white, mid-power LED array provides 2700K through 6500K CCT range with a two-point path. Minimum 82 CRI standard (R9 >20) with optional minimum 90 CRI (R9 >50).

DRIVER: 120-277VAC, 50/60Hz electrical input (PF ≥ 0.9, THD < 20%). Minimum 85% electrical efficiency. Serviceable, constant-current multi-channel programmable driver with dual analog (0-10V) control inputs for intensity and CCT. Optional DALI (Type 8) driver. Logarithmic intensity profile with 0.1-100% range, with dim-to-dark capabilities. Linear profile on CCT adjustment. Refer to charts on page 2 for further details.

LUMINOUS SEAL: Polyurethane foam prevents light leaks from luminaire base.

WARRANTY: Limited five (5) year warranty on LED lamps.

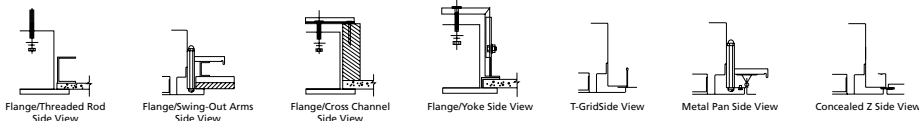
PHOTOMETRICS: Photometry tested to the IESNA LM-79-08 standard by an ILAC/ISO17025 accredited laboratory. For photometric information, go to www.kenall.com.

LISTINGS: Luminaire is certified to UL standards by Intertek Testing Laboratory for Damp Locations. See Ordering Information for Wet Location applications. Non IC rated.



ORDERING INFORMATION (Ex: RMCD-2-TG-2/1-45T-27/65K8-ATW-DV-SYM/9-1-FS)

Model	Size	Ceiling Type	Door/Housing	Lamp Power	Lamp Color	Driver Type	Voltage	Lens (Inner/Outer)	Fasteners	Options	
RMCD			/					SYM /			
Nominal Size				4' Nominal Length				Fastener			
2	24" x 24"			45T	45 Watt Tunable White			1	Torx® T-20 Head w/ Center Pin		
4	24" x 48"			67T	67 Watt Tunable White			2	Allen Head w/ Center Pin		
				90T	90 Watt Tunable White						
Ceiling Type				Lamp Color				Options			
FL/TR	Flange/Threaded Rod			27/65K8	2700-6500K CCT Range (82 CRI min)			LEL	Integral 10W Emergency Battery Backup (4' only, 45T max; wired to cool white circuit, 0°C min ambient)		
FL/CC	Flange/Cross Channel			27/65K9	2700-6500K CCT Range (92 CRI min)			LELST	Integral 6W Self-Testing Emergency Battery Backup (4' only, 45T max; wired to cool white circuit, 0°C min ambient)		
FL/Y	Flange/Yoke							DLN	LED Night Light (Voltage specific selection required)		
FL/SA	Flange/Swing-Out Arms							FS	Single Fuse & Holder		
TG	T-Grid							SC	Specified Ceiling		
MP ^A	Metal Pan							WL	Wet Location Listed		
CZ	Concealed Z-Spline										
Door/Housing Material				Driver Type				Options			
0	14-Ga CRS (Painted White)			ATW	Analog (0-10V) Dimming Tunable White Driver						
1	16-Ga CRS (Painted White)			DTW	DALI Tunable White Driver						
2	18-Ga CRS (Painted White)			DMX	DMX Tunable White Driver (Consult Factory)						
3	14-Ga SS (Painted White)										
4	16-Ga SS (Painted White)										
B	18-Ga SS (Painted White)										
6*	14-Ga SS (Brushed)										
7*	16-Ga SS (Brushed)										
A*	18-Ga SS (Brushed)										
Lamp Power				Voltage				Options			
2' Nominal Length				DV	120-277 Volts						
45T	45 Watt Tunable White			120	120 Volts						
67T	67 Watt Tunable White			277	277 Volts						
				Lens (Inner/Outer)†				Options			
				SYM†				.125" Diffused DR Acrylic			
				G				.125" Clear Polycarbonate			
				7				.187" Clear Polycarbonate			
				8				.187" Clear Tempered Glass			
				9				.250" Clear Polycarbonate			
				A				.250" Clear Tempered Glass			
				B				.375" Clear Polycarbonate			
				C				.375" Clear Tempered Glass			
				J				.500" Clear Polycarbonate			
				P				.500" Clear Tempered Glass			



www.kenall.com | P: 800-4-Kenall | F: 262-891-9701 | 10200 55th Street Kenosha, Wisconsin 53144, USA

A brand of **Legrand**

This product complies with the Buy American Act: manufactured in the United States with more than 50% of the component cost of US origin. It may be covered by patents found at www.kenall.com/patents. Content of specification sheets is subject to change; please consult www.kenall.com for current product details. ©2022 Kenall Mfg. Co.

MIGHTY MAC™

RMCD SERIES - TUNABLE WHITE LED

PERFORMANCE

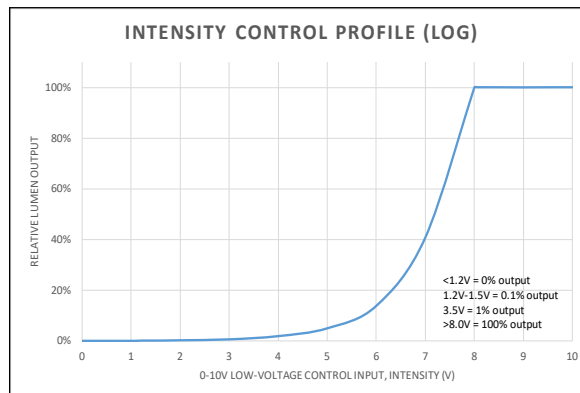
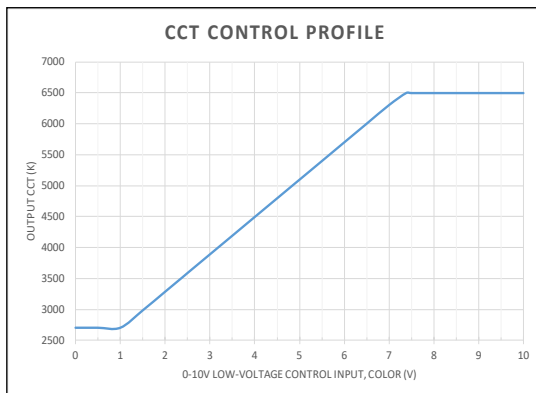
PERFORMANCE		Performance at 4000K Tuning			
Model	Lamp Type	Lumen Output (lm)	Efficacy (lm/W)	Input Power (W)	Estd. L70 LED Life (Hrs)
RMCD-2	45T-27/65K8	4,174	91	46	80,000
	45T-27/65K9	3,364	73	46	80,000
	67T-27/65K8	6,245	92	68	80,000
	67T-27/65K9	5,173	76	68	80,000
RMCD-4	45T-27/65K8	4,653	101	46	80,000
	45T-27/65K9	3,750	82	46	80,000
	67T-27/65K8	6,961	102	68	80,000
	67T-27/65K9	5,766	85	68	80,000
	90T-27/65K8	9,041	98	92	60,000
	90T-27/65K9	7,287	79	92	60,000

All products tested with the SYM/9 lens configuration. Output with other lens configurations will vary. Information subject to change without notice. Visit www.kenall.com for additional information.

PERFORMANCE SCALING, BY LAMP COLOR

CCT (K)	27/65K8					27/65K9				
	LUMEN SCALE FACTOR	Ra	R9	Rf	Rg	LUMEN SCALE FACTOR	Ra	R9	Rf	Rg
2700	0.92	83	10	83	97	0.95	92	57	89	98
3000	0.95	84	15	83	98	0.97	94	70	91	99
3500	0.99	86	23	84	98	0.99	95	77	92	99
4000	1.00	86	26	84	98	1.00	96	83	92	99
4600	1.00	86	28	84	98	1.00	96	90	92	100
5000	1.01	86	25	83	98	1.01	96	96	91	101
5700	0.99	85	23	82	98	0.99	96	96	91	100
6500	0.99	84	16	82	96	0.99	96	96	90	100

CCT AND INTENSITY ADJUSTMENT PROFILE - ATW DRIVER TYPE



NOTE: The provided information is the typical expected performance of a single luminaire. Additional luminaires on the same 0-10V line may result in different control profiles. Fine tuning of system performance should be completed after installation is complete. To avoid CCT shift between luminaires, care should be taken to minimize voltage drop on the CCT Control line. It is recommended to limit the load on the CCT control circuit to twenty (20) 45T or ten (10) 67T/90T luminaires or less.



www.kenall.com | P: 800-4-Kenall | F: 262-891-9701 | 10200 55th Street Kenosha, Wisconsin 53144, USA

A brand of **legrand**

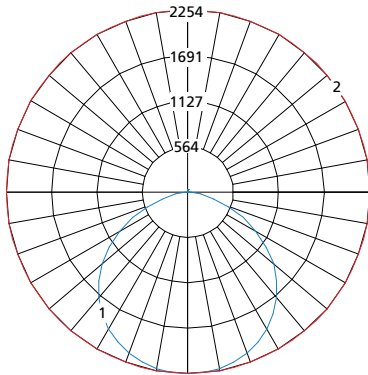
This product complies with the Buy American Act: manufactured in the United States with more than 50% of the component cost of US origin. It may be covered by patents found at www.kenall.com/patents. Content of specification sheets is subject to change; please consult www.kenall.com for current product details. ©2022 Kenall Mfg. Co.

MIGHTY MAC™

RMCD SERIES - TUNABLE WHITE LED

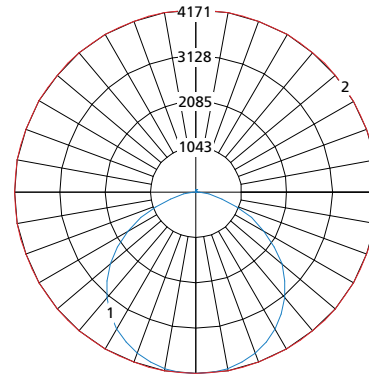
Model: RMCD-2-TG-1/1-67T-27/65K8-ATW-DV-SYM/9-1

Model: RMCD-4-TG-1/1-90T-27/65K8-ATW-DV-SYM/9-1



Maximum Candela = 2254 Located At Horizontal Angle = 230, Vertical Angle = 2.5

- 1 - Vertical Plane Through Horizontal Angles (230-50) (Through Max. Cd.)
- 2 - Horizontal Cone Through Vertical Angle (2.5) (Through Max. Cd.)

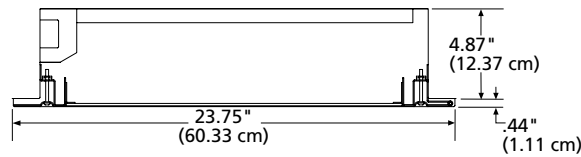


Maximum Candela = 4171 Located At Horizontal Angle = 210, Vertical Angle = 5

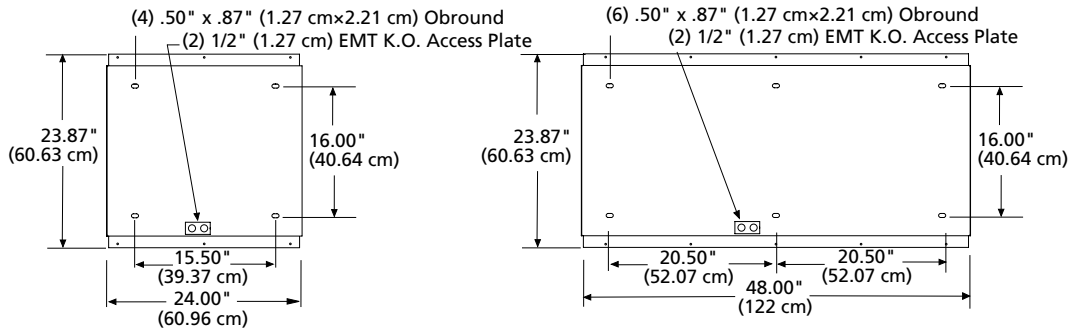
- 1 - Vertical Plane Through Horizontal Angles (210-30) (Through Max. Cd.)
- 2 - Horizontal Cone Through Vertical Angle (5) (Through Max. Cd.)

DIMENSIONAL DATA

CROSS SECTION



MOUNTING HOLES



RECOMMENDED CEILING CUTOUT: 24.25" x 22.44" (61.60 cm x 56.99 cm)

RECOMMENDED CEILING CUTOUT: 48.25" x 22.44" (122 cm x 56.99 cm)



www.kenall.com | P: 800-4-Kenall | F: 262-891-9701 | 10200 55th Street Kenosha, Wisconsin 53144, USA

A brand of **Legrand**

This product complies with the Buy American Act: manufactured in the United States with more than 50% of the component cost of US origin. It may be covered by patents found at www.kenall.com/patents. Content of specification sheets is subject to change; please consult www.kenall.com for current product details. ©2022 Kenall Mfg. Co.