

# MIGHTY MAC™

## RMCD SERIES

### PRODUCT FEATURES:

- » Recessed convertible ceiling mount – 24"×24" and 24"×48" lengths
- » TIG welded housing with no post grinding for additional strength
- » Vertically adjustable Z bracket with thru-studs spaced 6" apart
- » Full length concealed internal piano hinge



### PROJECT INFORMATION

Job Name \_\_\_\_\_

Fixture Type \_\_\_\_\_

Catalog Number \_\_\_\_\_

Approved by \_\_\_\_\_

### SPECIFICATIONS

**HOUSING:** Die-formed prime grade material as specified – see ordering information. TIG and spot welded construction.

**LENS:** As specified – maximum thickness .625" – see ordering information. Kenall recommends a prismatic inner lens and a clear outer lens. Two clear lenses used in combination cannot be provided.

**LENS RETENTION:** Vertically adjustable continuous "Z" brackets of prime grade material, secured to housing via thru-studs (6" maximum spacing).

**DOOR:** One-piece die-formed prime grade material as specified – see ordering information. Corners continuously seam welded and smooth with no post grinding (TIG).

**HINGE:** Full length completely concealed internal piano hinge (1/2" knuckle/1/8" diameter pin) standard. Pin secured to knuckle. Hinge welded to door.

**FASTENERS:** Fully recessed hardened security screws as specified – see ordering information.

**FINISH:** TGIC polyester powder coat – 5-stage pre-treatment. Salt spray test: 1,000 hours; Reflectance: 92%.

**LED ELECTRICAL:** Available 3000K, 3500K, 4000K and 5000K color temperatures, 82 CRI. 120-277VAC, or 347VAC 50/60Hz electrical input with serviceable high power factor electronic, constant-current driver (<20% THD, >0.95 PF). Standard 0-10V dimming with 1-100% range and dim-to-dark capabilities (non dim-to-dark with 347V); 330µA max. source current.

**SENSOR & CONTROLS:** Optional sensor available with compatible third party controls. To see the full list of compatible controls, click [here](#).

**LAMPS:** Quantity and type as specified – see ordering information. Lamps supplied by others.

**BALLAST:** Quantity and type as specified – see ordering information. All ballasts UL listed class P.

**LUMINOUS SEAL:** Polyurethane foam prevents light leaks from luminaire base.

**WARRANTY:** Limited five (5) year warranty on LED lamps.

**PHOTOMETRICS:** For photometric information, go to [www.kenall.com](http://www.kenall.com).

**LISTINGS:** UL and CUL listed for damp locations. See ordering information for Wet Location applications. Non IC rated.



### ORDERING INFORMATION (Ex: RMCD-4-TG-0/0-45L35K-DCC-DV-SYM/B-1-LEL)

Model	Size	Ceiling Type	Door/Housing	Lamp Qty	Lamp Type	Ballast/Driver	Ballast Qty	Voltage	Lens (Inner/Outer)	Fasteners	Options
<b>RMCD</b>			<b>/</b>						<b>/</b>		
	<b>Nominal Size</b>				<b>Lamp Type</b>		<b>Ballast Quantity (n/a with LED)</b>			<b>Fastener</b>	
	2 24"×24"				<b>2' Nominal Length</b>		1 One			1 Torx® T-20 Head w/ Center Pin	
	4 24"×48"				<b>45L30K</b> 45 Watt 3000K LED		2 Two			2 Allen Head w/ Center Pin	
					<b>45L35K</b> 45 Watt 3500K LED						
					<b>45L40K</b> 45 Watt 4000K LED						
					<b>45L50K</b> 45 Watt 5000K LED						
	<b>Ceiling Type</b>				<b>67L30K</b> 67 Watt 3000K LED		<b>Voltage</b>			<b>Options</b>	
	<b>FL/TR</b> Flange/Threaded Rod				<b>67L35K</b> 67 Watt 3500K LED		<b>DV</b> 120-277 Volts			<b>LEL</b> Integral 10W Emergency Battery Backup (4' only, 90L max; n/a 347V, 0°C min ambient)	
	<b>FL/CC</b> Flange/Cross Channel				<b>67L40K</b> 67 Watt 4000K LED		<b>120</b> 120 Volts			<b>LELST</b> Integral 6W Self-Testing Emergency Battery Backup (4' only, 90L max; n/a 347V, 0°C min ambient)	
	<b>FL/Y</b> Flange/Yoke				<b>67L50K</b> 67 Watt 5000K LED		<b>277</b> 277 Volts			<b>DLN</b> LED Night Light w/Light Level Control (100% - 20%; Voltage specific selection required; n/a 347V)	
	<b>FL/SA</b> Flange/Swing-Out Arms				<b>17</b> F17T8		<b>347</b> 347 Volts			<b>EL†</b> Standard Lumen EL Pack	
	<b>TG</b> T-Grid						<b>Lens (Inner/Outer)‡</b>			<b>FS</b> Single Fuse & Holder	
	<b>MP*</b> Metal Pan						<b>SYM</b> Symmetric, Diffused DR Acrylic			<b>SC</b> Specified Ceiling	
	<b>CZ</b> Concealed Z-Spline						<b>0</b> No Lens			<b>WL</b> Wet Location Listed	
					<b>4' Nominal Length</b>		<b>1</b> .125" Prismatic Acrylic			† n/a with LED Lamp Type	
					<b>45L30K</b> 45 Watt 3000K LED		<b>2</b> .125" Prismatic Polycarbonate			* n/a as Hsg. Material	
					<b>45L35K</b> 45 Watt 3500K LED		<b>3</b> .125" Textured Polycarbonate			‡ Refer to lens specifications	
					<b>45L40K</b> 45 Watt 4000K LED		<b>G▲</b> .125" Clear Polycarbonate			• LED Lamping Only	
					<b>45L50K</b> 45 Watt 5000K LED		<b>4</b> .156" Prismatic Polycarbonate			» Can only be used with clear outer lens	
					<b>67L30K</b> 67 Watt 3000K LED		<b>TG</b> .250" Textured Tempered Glass			▲ Must be paired with prismatic, textured or diffused lens when ordering LED lamps	
					<b>67L35K</b> 67 Watt 3500K LED		<b>6</b> .187" Prismatic Polycarbonate			▼ Consult Grid system manufacturer for product compatibility	
					<b>67L40K</b> 67 Watt 4000K LED		<b>7▲</b> .187" Clear Polycarbonate				
					<b>67L50K</b> 67 Watt 5000K LED		<b>8▲</b> .187" Clear Tempered Glass				
					<b>90L30K</b> 90 Watt 3000K LED		<b>9▲</b> .250" Clear Polycarbonate				
					<b>90L35K</b> 90 Watt 3500K LED		<b>A▲</b> .250" Clear Tempered Glass				
					<b>90L40K</b> 90 Watt 4000K LED		<b>B▲</b> .375" Clear Polycarbonate				
					<b>90L50K</b> 90 Watt 5000K LED		<b>C▲</b> .375" Clear Tempered Glass				
					<b>32</b> F32T8		<b>J▲</b> .500" Clear Polycarbonate				
							<b>P▲</b> .500" Clear Tempered Glass				
	<b>Lamp Quantity (n/a with LED)</b>				<b>Ballast/Driver Type</b>						
	2 Two				<b>DCC</b> Dimming Constant Current						
	3 Three				<b>IS</b> Instant Start Electronic <10% THD (T8)						
	4 Four				<b>RS</b> Rapid Start Electronic <10% THD (CFL, T8)						
					<b>SB</b> Specified Ballast						



www.kenall.com | P: 800-4-Kenall | F: 262-891-9701 | 10200 55th Street Kenosha, Wisconsin 53144, USA

A brand of **Legrand**

This product complies with the Buy American Act: manufactured in the United States with more than 50% of the component cost of US origin. It may be covered by patents found at [www.kenall.com/patents](http://www.kenall.com/patents). Content of specification sheets is subject to change; please consult [www.kenall.com](http://www.kenall.com) for current product details. ©2022 Kenall Mfg. Co.

# MIGHTY MAC™

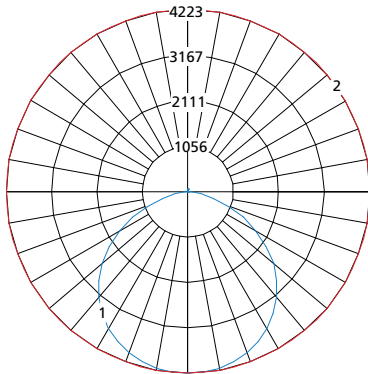
## RMCD SERIES

### PERFORMANCE

Length	Lamp Type	Initial Delivered Lumens		Input Power (W)	Drive Current (mA)	Estd. L70 LED Life (Hrs)
		@ 25°C	Efficacy (lm/W)			
2' 60.96cm	45L30K	3,906	84	46	100	80,000
	45L35K	4,027	87	46	100	80,000
	45L40K	4,164	90	46	100	80,000
	45L50K	4,335	93	46	100	80,000
	67L30K	6,237	84	74	75	80,000
	67L35K	6,430	86	74	75	80,000
	67L40K	6,649	89	74	75	80,000
	67L50K	6,922	93	74	75	80,000
4' 1.22m	45L30K	4,354	94	46	100	80,000
	45L35K	4,489	97	46	100	80,000
	45L40K	4,642	100	46	100	80,000
	45L50K	4,832	104	46	100	80,000
	67L30K	6,953	93	74	75	80,000
	67L35K	7,168	96	74	75	80,000
	67L40K	7,412	100	74	75	80,000
	67L50K	7,716	104	74	75	80,000
	90L30K	8,586	89	97	100	80,000
	90L35K	8,851	91	97	100	80,000
	90L40K	9,153	95	97	100	80,000
	90L50K	9,529	98	97	100	80,000

NOTE: All products tested with SYMB lens configuration. See "Lumen Output Scaling Factor" table for output values with alternate lens configurations. Information subject to change without notice. Visit [www.kenall.com](http://www.kenall.com) for IES files and additional information.

Model: RMCD-4-w-x-y-90L40K-DCC-z-SYM-B-1



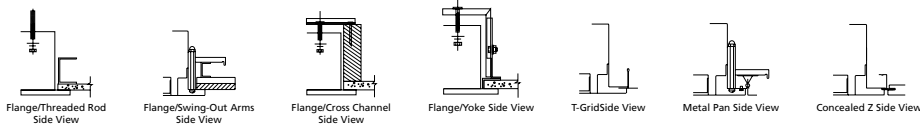
Maximum Candela = 4223 Located At Horizontal Angle = 210, Vertical Angle = 5

- 1 - Vertical Plane Through Horizontal Angles (210-31) (Through Max. Cd.)
- 2 - Horizontal Cone Through Vertical Angle (5) (Through Max. Cd.)

### LUMEN OUTPUT SCALING FACTORS

Lens Configuration	Inner Lens	Outer Lens	Scaling Factor
SYM/G	1/8" Frost Acrylic	1/8" Clear PC	1.10
SYM/7		3/16" Clear PC	1.06
SYM/8		3/16" Clear TG	1.06
SYM/9		1/4" Clear PC	1.03
SYM/B		3/8" Clear PC	1.00
SYM/C		3/8" Clear TG	1.03
SYM/J		1/2" Clear PC	0.99
1/G		1/8" Prismatic Acrylic	1/8" Clear PC
1/9	1/4" Clear PC		0.99
1/B	3/8" Clear PC		0.99
2/J	1/8" Prismatic PC	1/2" Clear PC	0.87

NOTE: Use this table to determine the lumen output and efficacy of the desired lens configuration by multiplying the provided value with the appropriate number in the "Performance" table above.



[www.kenall.com](http://www.kenall.com) | P: 800-4-Kenall | F: 262-891-9701 | 10200 55th Street Kenosha, Wisconsin 53144, USA

This product complies with the Buy American Act: manufactured in the United States with more than 50% of the component cost of US origin. It may be covered by patents found at [www.kenall.com/patents](http://www.kenall.com/patents). Content of specification sheets is subject to change; please consult [www.kenall.com](http://www.kenall.com) for current product details. ©2022 Kenall Mfg. Co.

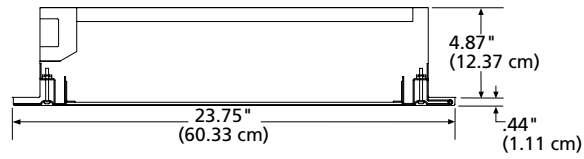
A brand of **legrand**

# MIGHTY MAC™

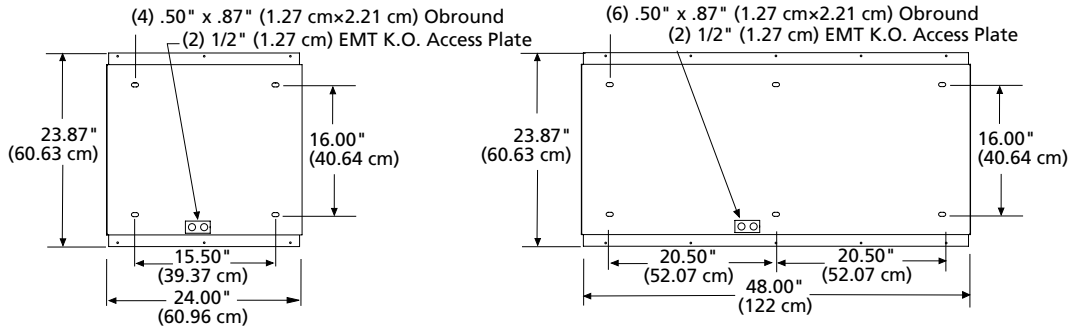
## RMCD SERIES

### DIMENSIONAL DATA

#### CROSS SECTION



#### MOUNTING HOLES



RECOMMENDED CEILING CUTOUT: 24.25" x 22.44" (61.60 cm x 56.99 cm)

RECOMMENDED CEILING CUTOUT: 48.25" x 22.44" (122 cm x 56.99 cm)

