

MIGHTY MAC™

Luminaires for Security Detention Applications

SSA SERIES using Indigo-Clean Technology

PRODUCT FEATURES:

- » Provides environmental disinfection and effective, efficient lighting performance via visible LED light
- » Dual-Mode Indigo-Clean Technology is independently tested to kill 94% of SARS CoV-2 and Influenza-A***, in addition to MRSA
- » Single-Mode Indigo-Clean Technology is independently tested to kill harmful bacteria, such as Staph*, including MRSA**
- » Surface ceiling mount
- » TIG-welded housing without post-weld grinding for additional strength
- » Completely concealed internal drop slot piano hinge



PROJECT INFORMATION

Job Name _____

Fixture Type _____

Catalog Number _____

Approved by _____

SPECIFICATIONS

HOUSING: One-piece die-formed prime grade material as specified – see Ordering Information. Corners continuously seam welded and smooth with no post grinding (TIG). Clamshell housing resistant to penetration and contraband concealment. 2' completely concealed internal drop slot piano hinge (1/2" knuckle/1/8" diameter pin) standard. Pin secured to knuckle. Hinge welded to housing and mounts to either side of baseplate via keyholes. See Options for Full Length Internal Hinge (IHF). TGIC polyester powder coat finish – 5-stage pre-treatment. Salt spray test: 1,000 hours; Reflectance: 92%.

BASEPLATE: Prime grade material as specified – see Ordering Information. Die-formed blade trap (1/4" minimum) prevents contraband concealment and access. Embossed standoffs prevent distortion.

LENS: As specified – maximum overall thickness 0.375" – see Ordering Information. High-efficiency diffused DR acrylic inner lens. Lens retention by vertically adjustable continuous "Z" brackets of prime grade material, secured to housing via thru-studs (6" maximum spacing). Polyurethane foam prevents light leads from luminaire base.

ELECTRICAL: (Single- and Dual-Mode ICT) Serviceable mid-power white and 405nm Indigo LED array. Available 3200K, 3700K and 4300K color temperatures with 3-step MacAdam variation allowance. Minimum 82 CRI standard. 120-277VAC and 347VAC electrical input with serviceable high power factor electronic, constant-current drivers (<10% THD, >0.90 PF). Minimum 85% driver efficiency. Standard 0-10V dimming with 1-100% range and dim-to-dark capabilities (non-dim-to-dark on Dual-Mode ICT). 330µA maximum source current. **Single-Mode ICT** provides a single, white disinfection operational mode. **Dual-Mode ICT** provides two operational modes based on room occupancy. White Disinfection Mode is a white LED array for ambient lighting plus a simultaneous low-power 405nm LED array for low-level, continuous and safe environmental disinfection. Indigo Disinfection Mode is a higher-level 405nm array for continuous safe environmental disinfection during periods of room vacancy. The operational mode is determined via internal low-voltage device based upon the input signal provided by an external control device/system, such as the IC150 product. Luminaire dimming is overridden in this operational state. Refer to the [Kenall Dual-Mode ICT Control Application Guide](#) for further description.

FASTENERS: Hardened security screws as specified – see Ordering Information. Fully recessed.

INSTALLATION: Fixture not suitable for Surface Conduit or Continuous Row Mounting.

PHOTOMETRICS: Photometry tested to the IESNA LM-79-08 standard by an ILAC/ISO17025 accredited laboratory. For photometric information, go to www.kenall.com.

WARRANTY: Limited five (5) year warranty on LED lamps.

LISTINGS: Luminaire is certified to UL 1598 and UL 8750 standards by Intertek Testing Services for Damp Locations. See Ordering Information for Wet Location applications. EPA Est. No. 99283-WI-1.

* Per independent lab report #5GS-09517026476. Contact Kenall for a copy of this report.

** Antimicrobial Activity of a Continuous Visible Light Disinfection System by Rutala, et. al, ID Week 2016.

*** Refer to www.indigo-clean.com for details



ORDERING INFORMATION (Ex: SSA-4-2/1-34I/82C-37K8-DCC-DV-SYM/9-2-WL)

Model	Size	Hsg./Door Material	Lamp Power	Lamp Color	Driver Type	Voltage	Lens (Inner/Outer)	Fasteners	Options
SSA	4	/			DCC		SYM /		
Nominal Size			Lamp Power			Fasteners			
4 12" x 48"			55C 55W Single-Mode ICT			1 Torx® T-20 Head w/ Center Pin			
			82C 82W Single-Mode ICT			2 Allen Head w/ Center Pin			
Housing/Door Material			23I/55C 55W Dual-Mode ICT			Options			
0 14-Ga CRS (Painted White)			34I/82C 82W Dual-Mode ICT			LELT† Integral 8.4W Emergency Battery Backup (55W max; 0°C min ambient)			
1 16-Ga CRS (Painted White)						LELST† Integral 6W Self-Testing Emergency Battery Backup (55W max; 0°C min ambient)			
3 14-Ga SS (Painted White)						NLW† 2700K White LED Night Light			
4 16-Ga SS (Painted White)						NLA† Amber LED Night Light			
6* 14-Ga SS (Brushed)						FS Single Fuse & Holder			
7* 16-Ga SS (Brushed)						IHF Full Length Internal Hinge			
9 12-Ga CRS (Painted White)						RGT Removable Gear Tray			
						SK Speaker Housing Extension			
						WL Wet Location Listed			
						* n/a as Door Material			
						‡ Refer to lens specifications			
						† n/a with 347V			
						ACCESSORIES ORDERED SEPARATELY			
						IC150 External Room Control System for Dual-Mode ICT Products (click here for Specifications)			



www.kenall.com | P: 800-4-Kenall | F: 262-891-9701 | 10200 55th Street Kenosha, Wisconsin 53144, USA

A brand of **Legrand**

This product complies with the Buy American Act: manufactured in the United States with more than 50% of the component cost of US origin. It may be covered by patents found at www.kenall.com/patents. Content of specification sheets is subject to change; please consult www.kenall.com for current product details. ©2022 Kenall Mfg. Co.

MIGHTY MAC™

Luminaires for Security Detention Applications

SSA SERIES using Indigo-Clean Technology

PERFORMANCE

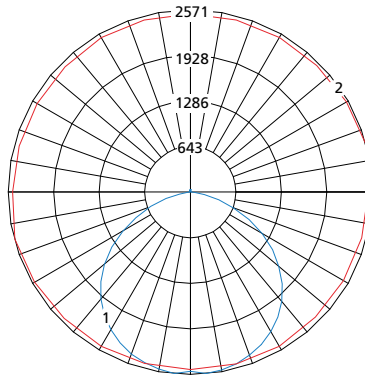
Technology	Size	Lamp Code	Lumen Output by Color (lm) ¹			Efficacy (lm/W)	Power Consumption ²			Estd L70 LED Life (Hrs)
			32K8	37K8	43K8		Occupied (W)	LPD (W)	Unoccupied (W)	
Single-Mode ICT	4	55C	4,561	4,679	4,727	75 - 78	61	51	n/a	80,000
		82C	6,887	7,066	7,138	74 - 77	93	77		
Dual-Mode ICT	4	23/55C	4,561	4,679	4,727	75 - 78	61	51	29	80,000
		34/82C	6,887	7,066	7,138	74 - 77	93	77	44	

¹ Lumen output is with the SYM/9 lens type. Information subject to change without notice. Visit www.kenall.com for IES files and additional information.

² Lighting Power and Energy Calculations:

- Use **Occupied Power** for total electrical load calculations. Use this value to estimate branch circuit lighting loads.
- Use **LPD Power** for lighting power density calculations. Only the power attributed to white light is required per NEMA LSD EB 84-202X. Power used toward germicidal disinfection has been removed for this calculation.
- Use **Unoccupied** and **Occupied Power** for Energy calculations to determine the power consumed over time based on the use of the space.

Model: SSA-4-1/1-82C-37K8-DCC-DV-SYM/9-1 and
SSA-4-1/1-34/82C-37K8-DCC-DV-SYM/9-1

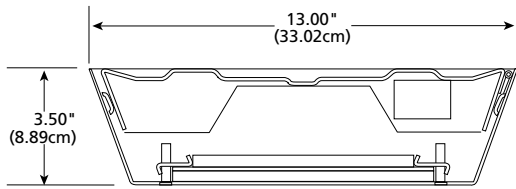


Maximum Candela = 2571 Located At Horizontal Angle = 15, Vertical Angle = 5

- 1 - Vertical Plane Through Horizontal Angles (15-195) (Through Max. Cd.)
- 2 - Horizontal Cone Through Vertical Angle (5) (Through Max. Cd.)

DIMENSIONAL DATA

CROSS SECTION



MOUNTING HOLES

