

TEKLINK™ TL2000PS FOR TEKDEK™ Parking Suite Control System Specification

TD-TL2000PS SYSTEM

PRODUCT FEATURES:

- » Embedded Image Sensor
- » Report Car Counting Data
- » Report Lighting Control Data
- » Wireless Communication



PROJECT INFORMATION

Job Name _____

Fixture Type _____

Catalog Number _____

Approved by _____

SPECIFICATIONS:

PRODUCT BRIEF: TekLink TL2000PS is an extension of the TL2000 lighting control system utilizing an embedded image sensor to provide features beyond standard lighting control. The system consists mainly of luminaire-integrated lighting controllers (BORGs), embedded Image Sensors, Bridges, and a Gateway. This specification provides information on the luminaire level control components. Please see the [Bridge and Gateway Specification](#) sheet for additional system information.

TEKLINK TL2000PS BORG: Integral controllers located in LED luminaires or as stand-alone devices; TL2000PS BORGs (Board on Radio Grid) measure and record system activity while supporting data captured from an image sensor. The LED luminaires react to changes in the environment based on a programmable lighting schedule. TL2000PS BORGs use wireless communication designed to the IEEE 802.11n standard.

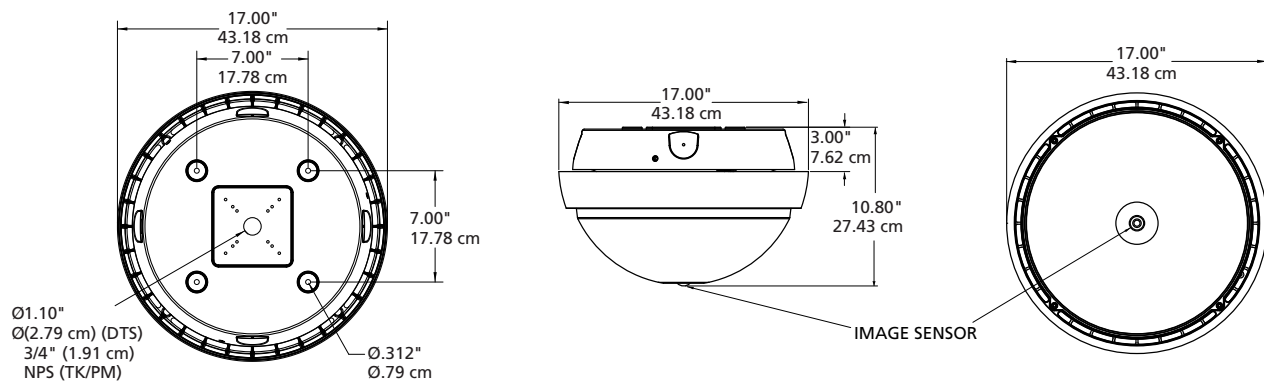
TL2000PS IMAGE SENSOR: Operates by low-voltage power provided by the BORG. The image sensor provides advanced feature capability with video analytics, supporting car counting data reporting, and standard lighting control features for occupancy detection and light level sensing.

INSTALLATION: Control components and sensor housing pre-attached to TD17 housing at factory.

WARRANTY: Limited three (3) year warranty.

NOTE: See TD17_spec sheet for TekLink™ TL2000PS control system ordering information.

DIMENSIONAL DATA



www.kenall.com | P: 800-4-Kenall | F: 262-891-9701 | 10200 55th Street Kenosha, Wisconsin 53144, USA

This product complies with the Buy American Act: manufactured in the United States with more than 50% of the component cost of US origin. It may be covered by patents found at www.kenall.com/patents. Content of specification sheets is subject to change; please consult www.kenall.com for current product details. ©2019 Kenall Mfg. Co.

A brand of **legrand**