

# LUXTRAN NARROW SPECTRUM

## Luminaires for Transportation Applications

### TDL SERIES

#### PRODUCT FEATURES:

- » 6" sealed, recessed downlight with flush lens trim
- » Corrosion-resistant frame and trim construction
- » Peace of Mind Guarantee® against breakage
- » Native 590nm Amber LED for spectrally sensitive applications requiring robust construction such as coastal or skyglow restricted areas
- » Blue light option for public safety applications
- » 1% Dimming via 0-10V control



470nm (Blue)



590nm (Native Amber)

#### SPECIFICATIONS

**HEAT SINK:** Die-cast aluminum with external radial fins for natural convection.

**ROUGH-IN FRAME:** 18-gauge die-formed, type 304 stainless steel construction. Vertically adjustable collar accommodates ceiling thicknesses up to 2", adjustable post-installation. Universal mounting brackets accept 3/4" and 1-1/2" lathers channel, 1/2" EMT conduit and hanger bars. Quick-access junction box accessible post-installation from above and below ceiling. Includes (4) 1/2" and (2) 3/4" knock-outs to allow straight conduit runs. Listed for (8) 12AWG, 90°C conductors and feed-thru branch wiring. Provided with FMC with electrical quick-connect to Trim Section.

**TRIM/HOUSING SECTION:** IP-rated housing section incorporates the heat sink, LED module, optics and stainless steel lower trim. Lens trim secured with four (4) Torx® tamper-resistant, captive fasteners. See trim ordering information for available options.

**OPTICAL:** Diffused tempered glass upper lens. No light filtering elements.. Available with various reflector distribution patterns and finishes. Flush lens trim options include a clear lens. See distribution and reflector finish ordering information for available options.

**ELECTRICAL:** Native 590nm Amber or 470nm Blue LED source. Narrow bandwidth native sources provide optimal control over spectral emissions. 120-277VAC or 347VAC, 50/60Hz electrical input with serviceable constant current driver (<20% THD, >0.90 PF). Minimum 85% driver efficiency. Standard 0-10V dimming with 1-100% range and dim-to-dark capabilities (non dim-to-dark with 347V); 165µA maximum source current.

**PHOTOMETRICS:** Photometry tested to the IESNA LM-79-08 standard by an ILAC/ISO17025 accredited laboratory. For photometric information, go to [www.kenall.com](http://www.kenall.com).

**WARRANTY:** Limited three (3) year LED warranty. Peace of Mind Guarantee against breakage.

**INSTALLATION:** Suitable for ambient temperature temperatures of -30°C to +40°C, unless otherwise noted.

**LISTINGS:** Luminaire is certified to UL standards by Intertek Testing Laboratory for non-IC and Wet Location installations. IP65 rating per IEC60598.



#### ORDERING INFORMATION (EX: TDL6-FF-5BR-12NA-W-CSS-G-RIT6-DV-DIM1)

##### TRIM

Model	Trim Style	Trim Finish	Lamp Power	Distribution	Reflector Finish	Flush Lens Type
<b>TDL6</b>	<b>FF</b>					
<b>Trim Style</b>			<b>Distribution</b>			
<b>FF</b>	Flush Lens (With Fasteners - IP65)		<b>M</b>	Medium	<b>W</b>	Wide
<b>Trim Finish</b>			<b>Reflector Finish</b>			
<b>5BR</b>	Type 304 Stainless Steel with 4B Brushed Finish		<b>FW</b>	Flat White	<b>CS</b>	Clear Specular
<b>XBR</b>	Type 316 Stainless Steel with 4B Brushed Finish		<b>CS</b>	Clear Specular	<b>CSS</b>	Clear Semi-Specular
<b>5FW</b>	Type 304 Stainless Steel in Flat White		<b>Flush Lens Type</b>			
<b>XFW</b>	Type 316 Stainless Steel in Flat White		<b>T</b>	1/8" Clear High-Impact Acrylic	<b>G</b>	1/8" Clear Polycarbonate
<b>Lamp Power / Color</b>						
<b>12NA</b>	12 Watt 590nm Native Amber LED					
<b>18BL</b>	18 Watt 470nm Native Blue LED					

##### ROUGH-IN

Rough-In	Input Voltage	Driver Type	Options
<b>RIT6</b>		<b>DIM1</b>	
<b>Rough-In</b>			
<b>RIT6</b>	6" Transportation Rough-In		
<b>Input Voltage</b>			
<b>DV</b>	120-277V, 50/60Hz		
<b>347</b>	347VAC, 60Hz		
<b>Driver Type</b>			
<b>DIM1</b>	0-10V Dimming to 1%		
<b>Options</b>			
<b>LEL</b>	7W Emergency Battery Backup with Remote Test Switch (0°C min. ambient, n/a with 347V)		
<b>FS</b>	Fuse & Holder		



www.kenall.com | P: 800-4-Kenall | F: 262-891-9700 | 10200 55th Street Kenosha, Wisconsin 53144, USA

A brand of **legrand**

This product complies with the Buy American Act: manufactured in the United States with more than 50% of the component cost of US origin. It may be covered by patents found at [www.kenall.com/patents](http://www.kenall.com/patents). Content of specification sheets is subject to change; please consult [www.kenall.com](http://www.kenall.com) for current product details. ©2023 Kenall Mfg. Co.

# LUXTRAN NARROW SPECTRUM

## Luminaires for Transportation Applications

### TDL SERIES

#### PERFORMANCE

Trim Style	Optic			Lamp Code	Lamp Color	Initial Delivered Lumens	Input Power (W)	Estd. L70 LED Life (hrs)
	Distribution	Reflector Finish	Lens Type					
FF	M	CS	T	12NA	590nm Native Amber	235	15	36,000
				18BL	470nm Blue	283	21	60,000
			G	12NA	590nm Native Amber	228	15	36,000
				18BL	470nm Blue	275	21	60,000
		CSS	T	12NA	590nm Native Amber	220	15	36,000
				18BL	470nm Blue	266	21	60,000
			G	12NA	590nm Native Amber	214	15	36,000
				18BL	470nm Blue	258	21	60,000
		FW	T	12NA	590nm Native Amber	218	15	36,000
				18BL	470nm Blue	262	21	60,000
			G	12NA	590nm Native Amber	212	15	36,000
				18BL	470nm Blue	255	21	60,000
	W	CS	T	12NA	590nm Native Amber	264	15	36,000
				18BL	470nm Blue	318	21	60,000
			G	12NA	590nm Native Amber	257	15	36,000
				18BL	470nm Blue	310	21	60,000
		CSS	T	12NA	590nm Native Amber	224	15	36,000
				18BL	470nm Blue	270	21	60,000
			G	12NA	590nm Native Amber	218	15	36,000
				18BL	470nm Blue	263	21	60,000
		FW	T	12NA	590nm Native Amber	248	15	36,000
				18BL	470nm Blue	299	21	60,000
			G	12NA	590nm Native Amber	242	15	36,000
				18BL	470nm Blue	291	21	60,000

Subject to change without notice. Visit [www.kenall.com](http://www.kenall.com) for ies files and additional information.



# LUXTRAN NARROW SPECTRUM

## Luminaires for Transportation Applications

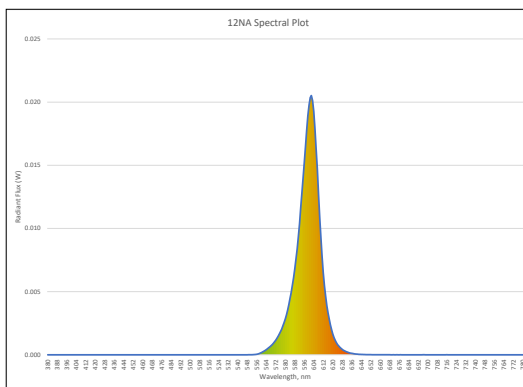
### TDL SERIES

#### PHOTOMETRIC PERFORMANCE

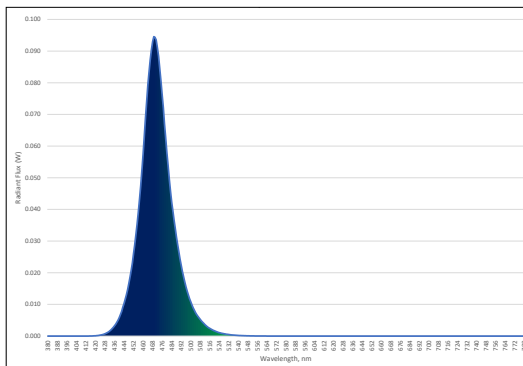
Wide Distribution Candela Curve	TDL6-FF-12NA-W-CS-G		Distance to illuminated plane (ft)	TDL6-FF-12NA-M-CS-G		Medium Distribution Candela Curve
	Initial center beam footcandles	Beam diameter (ft)		Initial center beam footcandles	Beam diameter (ft)	
	5.7	7.3	5'	18.2	2.8	
	3.9	8.8	6'	12.6	3.4	
	2.9	10.2	7'	9.3	3.9	
	2.2	11.7	8'	7.1	4.5	
	1.8	13.2	9'	5.6	5.0	
	1.4	14.6	10'	4.5	5.6	
Spacing Criteria: 1.38	Footcandle multipliers for 12NA (1.00); 18BL (1.20)				Spacing Criteria: 0.61	
Beam Angle: 72°	Beam diameter is where foot-candles drop to 50% of maximum				Beam Angle: 31°	

Wide Distribution Candela Curve	TDL6-FF-12NA-W-CSS-G		Distance to illuminated plane (ft)	TDL6-FF-12NA-M-CSS-G		Medium Distribution Candela Curve
	Initial center beam footcandles	Beam diameter (ft)		Initial center beam footcandles	Beam diameter (ft)	
	6.18	5.7	5'	11.5	4.6	
	4.29	6.8	6'	8.0	5.5	
	3.15	7.9	7'	5.9	6.5	
	2.42	9.1	8'	4.5	7.4	
	1.91	10.2	9'	3.6	8.3	
	1.55	11.3	10'	2.9	9.2	
Spacing Criteria: 1.13	Footcandle multipliers for 12NA (1.00); 18BL (1.20)				Spacing Criteria: 0.77	
Beam Angle: 59°	Beam diameter is where foot-candles drop to 50% of maximum				Beam Angle: 50°	

#### SPECTROPHOTOMETRIC PERFORMANCE



12NA	
Purity	1.0006
UV (<400nm)	0.000%
Radiant Flux (<=560nm)	0.000%
Bandwidth	17.8 nm
Peak Wavelength	590 nm



18BL	
Purity	0.9583
Bandwidth	24.4 nm
Peak Wavelength	470 nm



[www.kenall.com](http://www.kenall.com) | P: 800-4-Kenall | F: 262-891-9700 | 10200 55th Street Kenosha, Wisconsin 53144, USA

A brand of **legrand**

This product complies with the Buy American Act: manufactured in the United States with more than 50% of the component cost of US origin. It may be covered by patents found at [www.kenall.com/patents](http://www.kenall.com/patents). Content of specification sheets is subject to change; please consult [www.kenall.com](http://www.kenall.com) for current product details. ©2023 Kenall Mfg. Co.

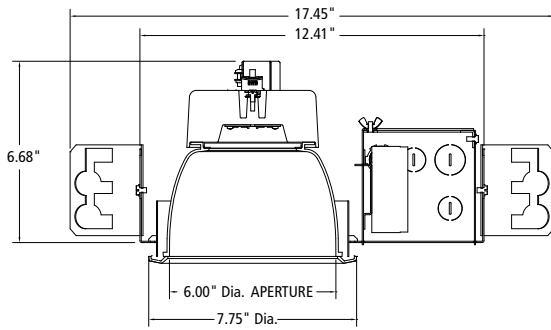
# LUXTRAN NARROW SPECTRUM

Luminaires for Transportation Applications

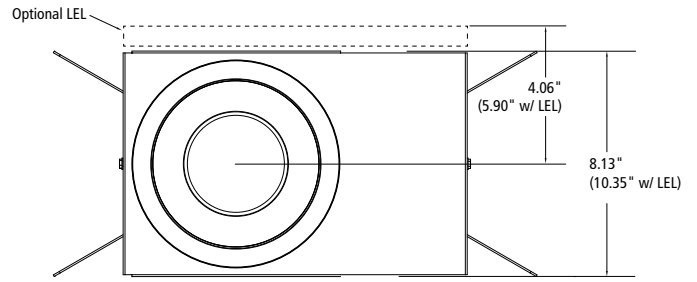
## TDL SERIES

### DIMENSIONAL DATA

CROSS SECTION



BOTTOM VIEW



RECOMMENDED CEILING CUT-OUT: 7.38" Dia.



www.kenall.com | P: 800-4-Kenall | F: 262-891-9700 | 10200 55th Street Kenosha, Wisconsin 53144, USA

A brand of **legrand**

This product complies with the Buy American Act: manufactured in the United States with more than 50% of the component cost of US origin. It may be covered by patents found at [www.kenall.com/patents](http://www.kenall.com/patents). Content of specification sheets is subject to change; please consult [www.kenall.com](http://www.kenall.com) for current product details. ©2023 Kenall Mfg. Co.