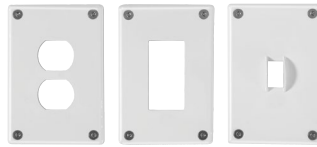


MIGHTY MAC™

WSP/WPP SERIES

PRODUCT FEATURES:

- » For recessed mount or pour in place junction boxes
- » Single, double or triple gang



PROJECT INFORMATION

Job Name _____

Fixture Type _____

Catalog Number _____

Approved by _____

SPECIFICATIONS

COVER PLATE: One-piece heavy gauge prime grade material as specified – see ordering information. Die formed with four countersunk holes for security fasteners.

BACKPLATE: Prime grade 11-gauge galvanized steel.

FASTENERS: Flat head Torx® hardened security screws. See Ordering Information for additional options.

FINISH: White TGIC polyester powder coat – 5-stage pre-treatment. Salt spray test: 1,000 hours; Reflectance: 92%. See ordering information for additional finish options.

LISTINGS: UL and CUL listed.

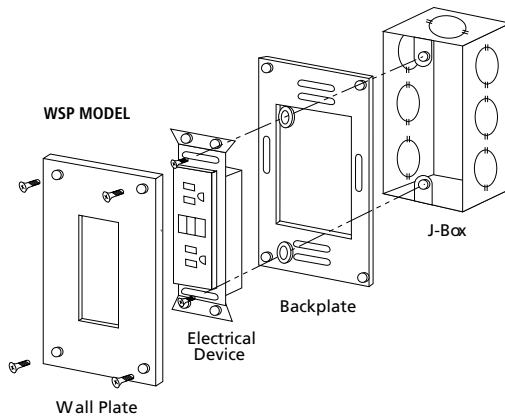
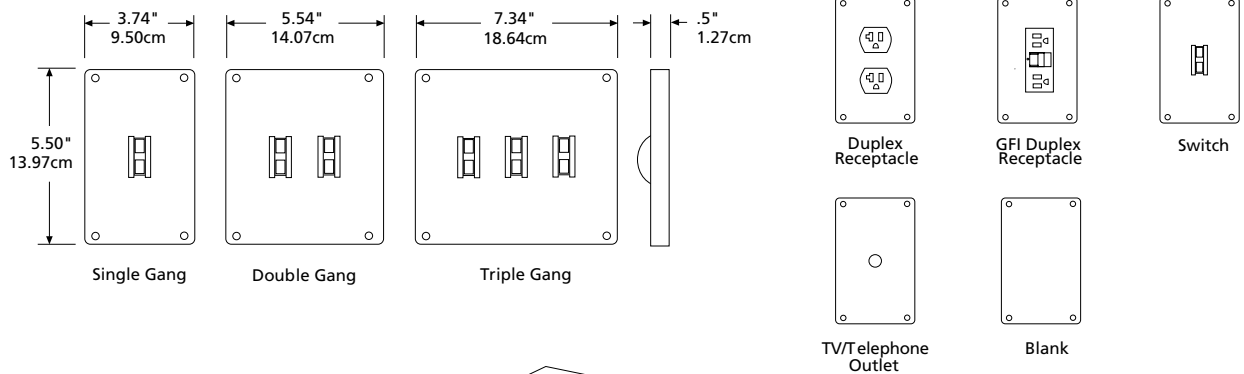
Electrical devices and junction boxes supplies by others. Consult factory for larger size/"Gang Plates".



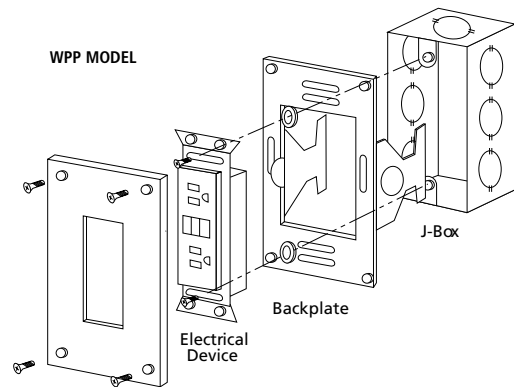
ORDERING INFORMATION (Ex: WSP-A-1-B-1)

Model	Material	Gang Size	Devices	Fasteners	Option	Accessories
Model		Gang Size	Devices		Fasteners	
WSP Wall Surface Mount Plate		1 Single Gang (1 Device Max.)	B Blank		1 Torx® T-20 Head w/ Center Pin	
WPP Wall Pour-in-Place Plate		2 Double Gang (2 Devices Max.)	D Duplex Receptacle		2 Allen Head w/Center Pin	
		3 Triple Gang (3 Devices Max.)	G GFCI Duplex Receptacle			
			N Single Round Receptacle (specify hole size)		Option (Leave blank for standard white or brushed finish)	
Material			S Switch		IVY Ivory Color	
A 10-Ga CRS (Painted)			T TV/Telephone Outlet (specify hole size)			
0 14-Ga CRS (Painted)			E Emergency Battery Backup Test Switch (.500" DIA hole size)		Accessories	
3 14-Ga SS (Painted)					D-0418 Torx® Screwdriver	
6 14-Ga SS (Brushed)					D-0377 Allen Head Screwdriver	

DIMENSIONAL DATA



For Steel or Block Wall Construction



Wall Plate

For Poured Concrete Wall Construction



www.kenall.com | P: 800-4-Kenall | F: 262-891-9700 | 10200 55th Street Kenosha, Wisconsin 53144, USA

A brand of **Legrand**

This product complies with the Buy American Act: manufactured in the United States with more than 50% of the component cost of US origin. It may be covered by patents found at www.kenall.com/patents. Content of specification sheets is subject to change; please consult www.kenall.com for current product details. ©2023 Kenall Mfg. Co.